

traxon



LED Engine XB-SD Rackmount 1W/K2-432



PX.ID.5120100 (220V)
PX.ID.5120200 (110V)

The LED Engine XB-SD is a five-mode operated LED controller for up to 36 DMX channels on 12 RGB outputs for 1W or K2 (350mA) XB Luminaires.

This rack-mountable LED Engine enables standalone via dedicated on-board LCD panel with 10 operating buttons or externally via DMX512 controller.



INDOOR

PRODUCT SPECIFICATIONS

- **Fixture Outputs:** 12 Outputs (Up to 36 1W or K2-350mA LEDs per output)
- **Controlled Channels:** Up to 36 channels with 3 channels per output
- **Output Drive Voltage:** 48V DC max.
- **Output Drive Current:** 350mA per channel max.
- **Data Protocol:** DMX512
- **Data Interface:** RJ45 DMX IN (with power back to DMX controller) / RJ45 DMX OUT
- **Operating Modes:** Manual, FX, Chaser, Macro, DMX512
- **Link Modes:** Master/Slave; DMX Auto-Addressing ON/OFF
- **Rated Power:** 640W max.

ELECTRICAL SPECIFICATIONS

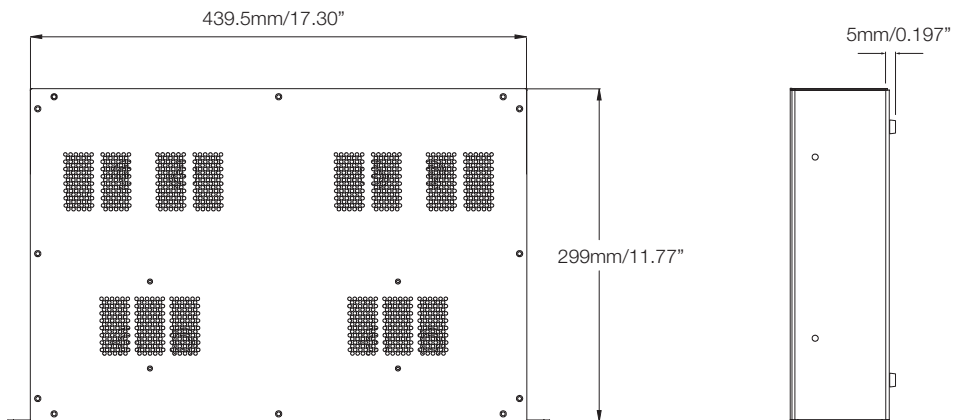
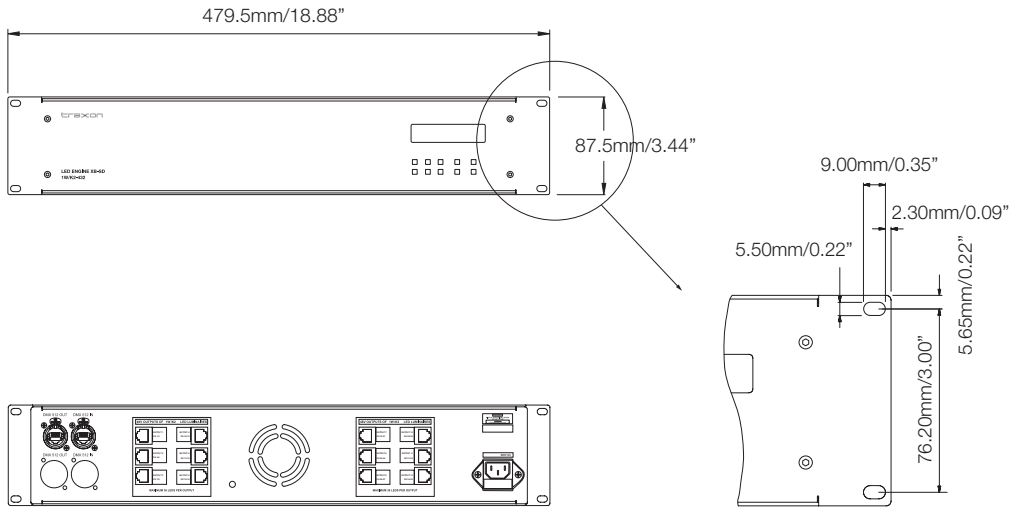
- **Input Voltage:** PX.ID.5120100: 220V @ 50/60Hz
PX.ID.5120200: 110V @ 50/60Hz
- **Power Consumption:** 640W max.
- **Heat Dissipation:** 15% of power output
- **Mains Input Connector:** IEC male

MISCELLANEOUS

- **Environment:** Indoor
- **Operating Temperature and Humidity:** -10°C to +40°C / 14°F to 104°F; 20 to 70% non-condensing
- **Storage Temperature and Humidity:** -30°C to +65°C / -22°F to 149°F; 10 to 95% non-condensing
- **Housing:** Aluminium casing
- **Mounting:** Rack-mountable
- **Dimension:** 439.5mm (W) x 87.5mm (H) x 299mm (D) / 17.3" (W) x 3.4" (H) x 11.8" (D)
- **Weight:** 4.4kg / 9.7lbs
- **Listing:** CE, cTUVus, FCC



TECHNICAL DRAWING





LED Engine XB-SD Rackmount 1W/K2-432

Accessories

STANDARD ACCESSORIES (included in delivery)

Model No.	Description

TX CONTROL

Model No.	Description
CS.MA.5000000	Micro Server I
SC.CD.5000000	Light-Drive RGB (Black)
SC.CD.5000100	Light-Drive RGB (White)

* Please refer to the TRAXON Control catalogue for a complete product overview

TX CONNECT

Model No.	Description
XI.IC.1000000	TX CONNECT XB Interconnection Cable (10m/32.8ft)
XI.IC.2000000	TX CONNECT XB Interconnection Cable (20m/65.6ft)
XI.AC.0200200	TX CONNECT XB Splitter
XI.AC.0200100	TX CONNECT XB Coupler
XE.AC.0200000	TX CONNECT XB Outdoor Interconnection Sleeve
DI.IC.0020000	TX CONNECT Data Cable (20cm/0.65ft)
DI.IC.0100000	TX CONNECT Data Cable (1m/3.28ft)
DI.IC.0300000	TX CONNECT Data Cable (3m/9.84ft)
DI.IC.0500000	TX CONNECT Data Cable (5m/16.4ft)
DI.IC.1000000	TX CONNECT Data Cable (10m/32.8ft)
DI.IC.2000000	TX CONNECT Data Cable (20m/65.6ft)

* Please refer to the TX CONNECT System Manual for a complete system and component overview (incl. TX CONNECT Data)

TX POWER

Model No.	Description
PS.AC.0000100	AC Power Cord, 2m/6.6ft (EU)
PS.AC.0000200	AC Power Cord, 2m/6.6ft (US)
PS.AC.0000300	AC Power Cord, 2m/6.6ft (UK)
PS.AC.0000400	AC Power Cord, 2m/6.6ft (AU)
PS.AC.0000500	AC Power Cord, 2m/6.6ft (JP)

* Please refer to the TRAXON Control catalogue for a complete product overview