



1PXL Strip RGB

1PXL Strip RGB offers even color with a wide beam angle. Its slim profile, together with the plug and play TX Connect system ensure high design flexibility. With auto-addressing ON/OFF function, this strip maximizes the number of products that can be controlled within a standard DMX universe.



Product Specifications

Light Source	12 High intensity SMT LEDs
Color Range	16.7 million additive RGB color
Color Resolution	14-bit (Gamma correction)
Beam Angle	120°
Luminous Flux	93.6 lm
Efficacy	25 lm/W
Cover Lens	N/A
LED Pitch	24.5mm / 0.96"
Housing	N/A
Adjustment Options	N/A
Dimensions (L x W x H)	288 x 27 x 13.5mm 11.34" x 1.06" x 0.53"
Weight	50g / 0.11lbs
Regulatory Listing & Safety Approval	CE, FCC, cETLus
Operating Temperature	0°C to +40°C / 32°F to +104°F
Storage Temperature	-20°C to +70°C / -4°F to +158°F
Environment	Indoor
Humidity	0-90%, non-condensing

Electrical Specifications

Input Voltage	24V DC
Power Consumption	6W max.

System Specifications

Power / Data Interface	TX Connect Smart
Control	DMX512, 3 channels per pixel
Power Supply	LED Engine Smart 100W Indoor
Addressing Options	Auto Addressing ON/OFF

LED CHARACTERISTICS Because LEDs are semiconductor devices, their performances are subject to inherent variability commonly found in semiconductor industry. To improve consistency in performance across the same product, LED manufacturers "sort" LEDs into bins according to different preset parameters, such as forward driving voltage, illumination, etc. Whereas binning is a sorting function, it is not a correction process. Inherent variability in the manufacturing process results always in different binning distributions according to different production lots. Traxon uses automatically binned LEDs on its products, thereby minimizing output variations within the model range.

As with all electronic devices, LED output degrades over time – a term called lumen depreciation. This also explains why it is nearly impossible to expect photometric performances of two LED products with different service life spans to be the same. The rate of LED degrade is a complicate function of many factors such as operating efficiency, duration of continuous operation, and more significantly, environmental conditions (ambient temperature for example). If allowed working under optimal operating temperature range and with good ventilation, LED devices enjoy long service lives over conventional light sources. When using/installing LED devices, care should be taken to ensure that the devices will operate within the operating conditions specified in respective product literature.

Lumen measurement complies with LM-79-08 standard.
 Lumen maintenance is calculated based on LM-80 compliant measurement.

www.traxontechnologies.com

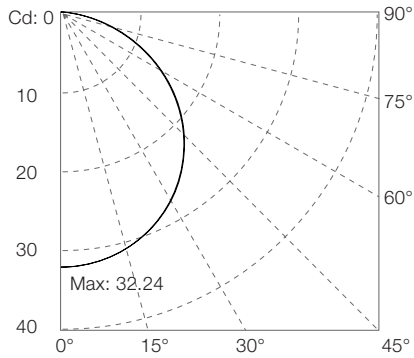
©2015 TRAXON TECHNOLOGIES - AN OSRAM BUSINESS. ALL RIGHTS RESERVED. TRAXON™, TX CONNECT®, ARE TRADEMARKS OF TRAXON TECHNOLOGIES. U.S. PATENTS, E.U. PATENTS, JAPAN PATENTS, OTHER PATENTS PENDING. SPECIFICATIONS ARE SUBJECT TO CHANGE WITHOUT NOTICE.

1PXL Strip RGB

Photometrics

Candela Distribution

Light Output



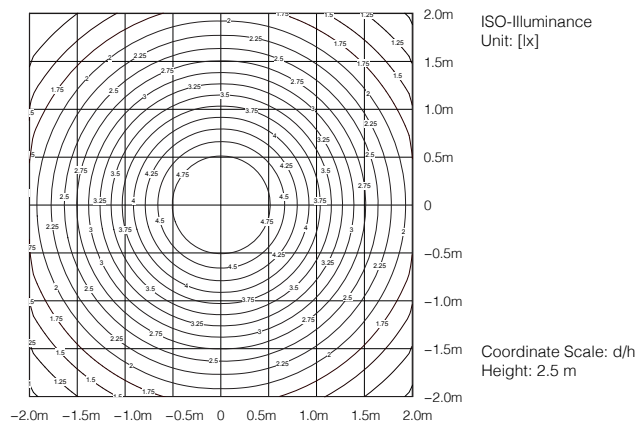
Color	Luminous Flux (lumens)	Power (Watts)	Efficacy (lm/W)
White	93.61	3.74	25.03
Red	29.03	1.49	19.48
Green	56.81	1.89	30.06
Blue	10.26	1.08	9.50

- Measured on: White
- Beam angle (50% I_{max}): 114°

Illuminance

Distance	10cm/3.9"	25cm/9.8"	50cm/19.7"	72cm/29.5"	100cm/39.4"	• Measured on: White
Lux	3224	516	129	57	32	
50% I _{max} (diameter)	31cm/12.2"	77cm/30.3"	154cm/60.6"	231cm/90.9"	308cm/121.2"	

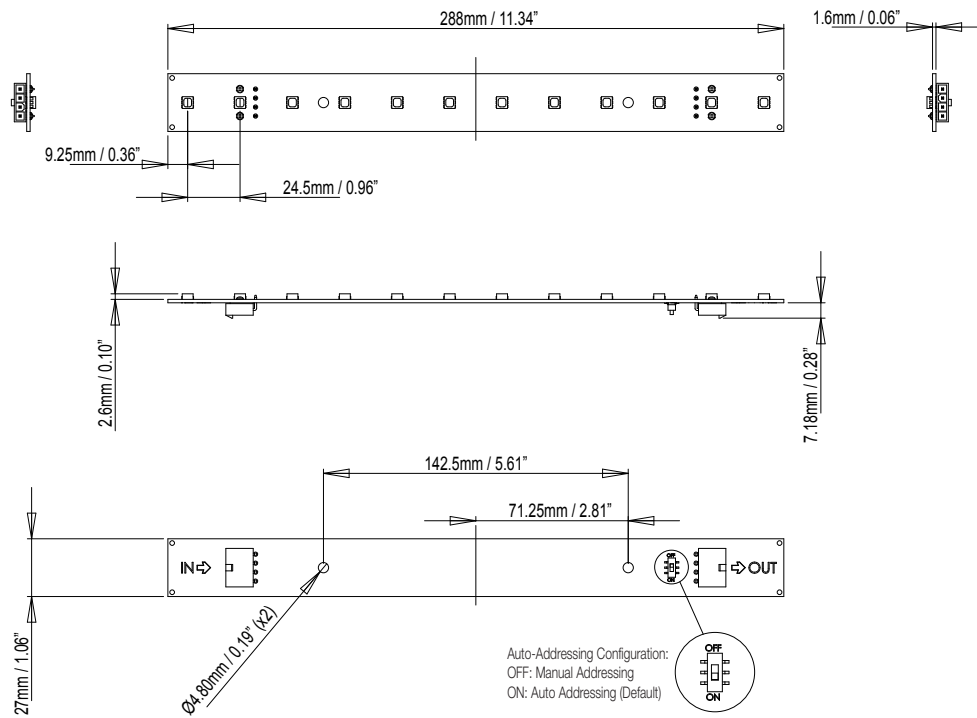
Illuminance at a Distance



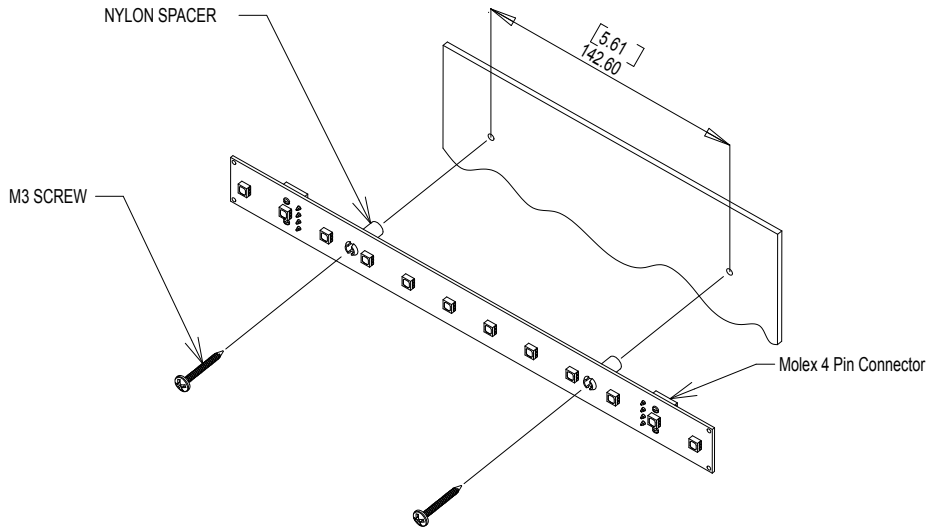
Photometric measurements are carried out by an independent laboratory. IES and LDT files are available for download from the Traxon website.

1PXL Strip RGB

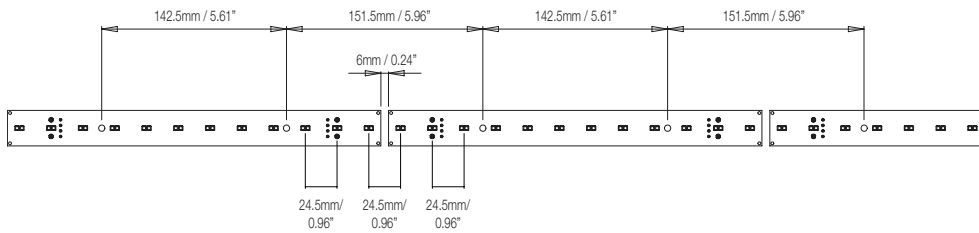
Dimensions



Basic Mounting



Multiple Strips Mounting

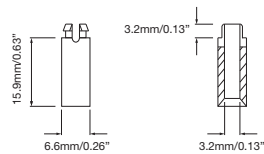


Precautions when mounting the Strip RGB

The Strip RGB is a printed circuit board (PCB) with bare solder contacts on both sides, precautions must be taken when mounting the Strip to ensure the PCB is not short-circuited.

Always unplug the power supply from the mains before connecting any cables.

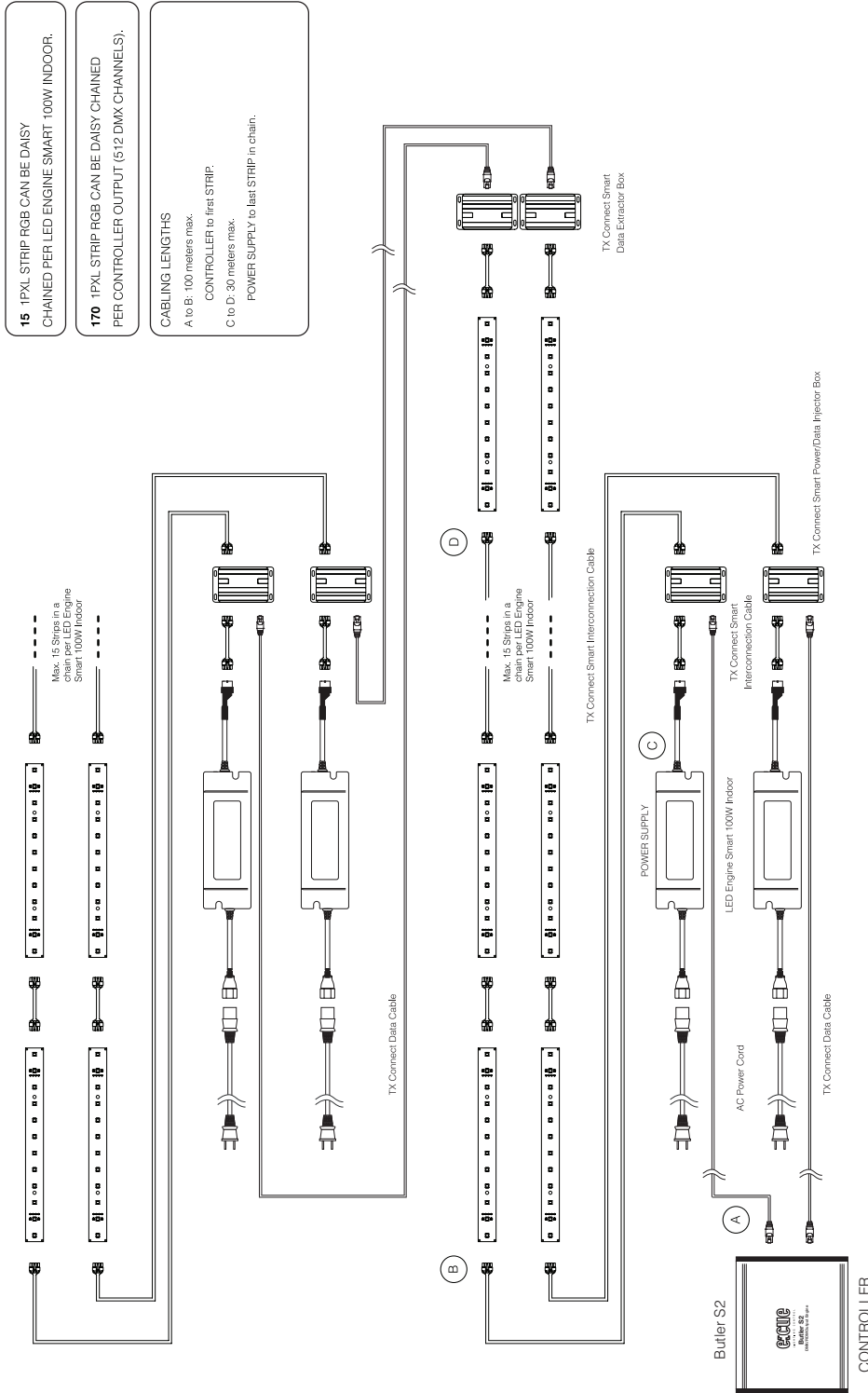
Mounting Accessories



Nylon Spacer Dimensions

1PXL Strip RGB

System Diagram



1PXL Strip RGB

Ordering

Fixtures

Model No.	Description	Item Code
MB.ST.5010000	1PXL Strip RGB	A63349B0155

Standard Accessories (included in delivery)

Model No.	Description	Item Code
TI.IC.0004000	TX CONNECT Smart Indoor Interconnection Cable, 4cm/1.57"	AA438900055
N/A	1x Strip RGB Mounting Kit (2x Screws, 2x Nylon Spacers)	N/A

TX Control

Model No.	Description	Item Code
EN.BU.0000001	Butler S2	AA624080072

TX Connect

Model No.	Description	Item Code
TI.ZI.0000100	TX CONNECT Smart Power/Data Injector Box	A704836003J
TI.DO.0000100	TX CONNECT Smart Data Extractor Box	A704842003J
TI.EC.0050000	TX CONNECT Smart Indoor Extension Cable, 0.5m/1.64ft	AA556350055
TI.EC.0100000	TX CONNECT Smart Indoor Extension Cable, 1m/3.28ft	A6342330055
TI.EC.0300000	TX CONNECT Smart Indoor Extension Cable, 3m/9.84ft	A6342410055
TI.EC.0500000	TX CONNECT Smart Indoor Extension Cable, 5m/16.4ft	AA580410055
TI.EC.1000000	TX CONNECT Smart Indoor Extension Cable, 10m/32.8ft	A6342680055
DI.IC.0100000	TX CONNECT Data Cable, 1m/3.28ft	AA556130055

TX Power

Model No.	Description	Item Code
PS.IA.0010000	LED Engine Smart 100W Indoor	AA624090055
PS.AC.0000100	AC Power Cord, 2m/6.6ft (EU)	AA553860055
PS.AC.0000200	AC Power Cord, 2m/6.6ft (US)	AA556290055
PS.AC.0000300	AC Power Cord, 2m/6.6ft (UK)	AA556300155
PS.AC.0000400	AC Power Cord, 2m/6.6ft (AU)	AA556310055