

**Driver LCA 100W 24V one4all SC PRE**

PREMIUM series



System solution

**Product description**

- \_ Dimmable 24 V constant voltage LED Driver for flexible constant voltage strips
- \_ One4all interface and ready2mains enable different dimming options
- \_ Dimming range 1 to 100 %
- \_ No additional external dimmer is needed
- \_ Suitable for emergency escape lighting systems acc. to EN 50172
- \_ Nominal life-time up to 50,000 h
- \_ 5-year guarantee

**Typical applications**

- \_ Cove lighting, facade accent lighting, ceiling integration

**Technical details**

- \_ 24 V, 100 W
- \_ Small design (295 x 43 x 30 mm) with stretched-compact strain relief
- \_ Small cross section
- \_ Push terminals for simple wiring
- \_ 2 output channels (+/-) for more flexibility in the application

**Interfaces**

- \_ one4all (DALI DT 6, DSI, switchDIM, corridorFUNCTION)
- \_ ready2mains (configuration and dimming via mains)
- \_ Terminal blocks: 45° push terminals

**System solution**

- \_ Tridonic LLE-FLEX ADV 600, 1,200, 1,800 lm/m
- \_ Tridonic LLE-FLEX EXC 600, 1,200, 1,800, 2,500 lm/m
- \_ In connection with Flex accessories wire to PCB plug
- \_ The functioning of third party light sources at a low dim level cannot be guaranteed and is not recommended

**Website**

<http://www.tridonic.com/28001253>



Spotlights



Downlights



Linear



Area



Floor | Wall



Free-standing



Street



Decorative

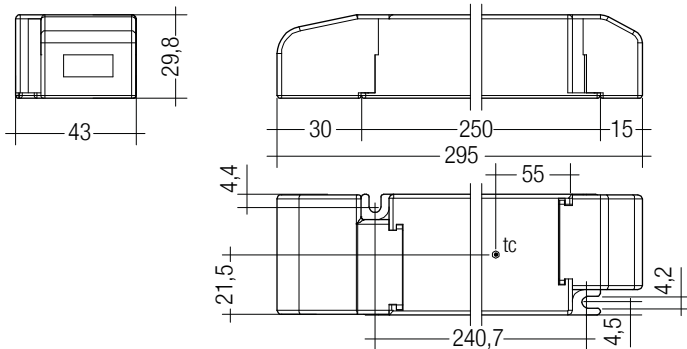


High bay

## Driver LCA 100W 24V one4all SC PRE

PREMIUM series

The complete data sheet for this product is available in the Downloads section.



## Ordering data

| Type                        | Article number | Packaging, carton <sup>®</sup> | Packaging, pallet | Weight per pc. |
|-----------------------------|----------------|--------------------------------|-------------------|----------------|
| <b>Multi packaging</b>      |                |                                |                   |                |
| LCA 100W 24V one4all SC PRE | 28001253       | 10 pc(s).                      | 390 pc(s).        | 0.254 kg       |

## Technical data

|  |                    |
|--|--------------------|
| Rated supply voltage   | 220 – 240 V        |
| AC voltage range   | 198 – 264 V        |
| DC voltage range   | 176 – 280 V        |
| Mains frequency  | 0 / 50 / 60 Hz     |
| Typ. rated current (at 230 V, 50 Hz, full load) <sup>①</sup> | 468 mA             |
| Typ. current (220 V, 0 Hz, full load, 15 % dimming level)    | 93 mA              |
| Leakage current (at 230 V, 50 Hz, full load) <sup>①</sup>    | < 260 A            |
| Max. input power   | 111 W              |
| Typ. efficiency (at 230 V, 50 Hz, full load)                 | 93 %               |
| $\lambda$ (at 230 V, 50 Hz, full load) <sup>①</sup>          | 0.99               |
| Typ. power input on stand-by <sup>②</sup>                    | < 0.2 W            |
| Typ. input current in no-load operation                      | 40.4 mA            |
| Typ. input power in no-load operation <sup>②</sup>           | 2.6 W              |
| In-rush current (peak / duration)                            | 43 A / 280 ms      |
| THD (at 230 V, 50 Hz, full load) <sup>①</sup>                | < 5.7 %            |
| Time to light (at 230 V, 50 Hz, full load) <sup>①</sup>      | < 0.35 s           |
| Time to light (DC mode)                                      | < 0.32 s           |
| Switchover time (AC/DC)                                      | < 0.3 s            |
| Turn off time (at 230 V, 50 Hz, full load)                   | < 20 ms            |
| Output voltage tolerance                                     | $\pm 1$ V          |
| Output LF voltage ripple (< 120 Hz)                          | $\pm 5$ %          |
| Max. output voltage (no-load voltage)                        | 60 V               |
| PWM frequency  | $\geq 1$ kHz       |
| Dimming range  | 1 – 100 %          |
| Mains surge capability (between L - N)                       | 1 kV               |
| Mains surge capability (between L/N - PE)                    | 2 kV               |
| Dimensions L x W x H   | 295 x 43 x 29.8 mm |

## Approval marks



## Standards

EN 55015, EN 61000-3-2, EN 61000-3-3, EN 61347-1, EN 61347-2-13, EN 62384, EN 61547, EN 62386-101, EN 62386-102, EN 62386-207, Acc. to EN 50172, Acc. to EN 60598-2-22

## Specific technical data

| Type                        | Load  | Forward voltage | Output current | Max. output power (at 24 V, full load) | Typ. power consumption (at 24 V, full load) | Typ. current consumption (at 24 V, full load) | tc point max. | Ambient temperature $t_a$ |
|-----------------------------|-------|-----------------|----------------|--|---|---|---------------|---------------------------|
| LCA 100W 24V one4all SC PRE | 10 %  | 24 V            | 0.417 A        | 10 W                                   | 12.9 W                                      | 75 mA   | 73 °C         | -25 ... +50 °C            |
| LCA 100W 24V one4all SC PRE | 20 %  | 24 V            | 0.833 A        | 20 W                                   | 23.3 W                                      | 119 mA  | 73 °C         | -25 ... +50 °C            |
| LCA 100W 24V one4all SC PRE | 30 %  | 24 V            | 1.250 A        | 30 W                                   | 33.8 W                                      | 163 mA  | 73 °C         | -25 ... +50 °C            |
| LCA 100W 24V one4all SC PRE | 40 %  | 24 V            | 1.667 A        | 40 W                                   | 44.3 W                                      | 206 mA  | 73 °C         | -25 ... +50 °C            |
| LCA 100W 24V one4all SC PRE | 50 %  | 24 V            | 2.083 A        | 50 W                                   | 54.8 W                                      | 250 mA  | 73 °C         | -25 ... +50 °C            |
| LCA 100W 24V one4all SC PRE | 60 %  | 24 V            | 2.500 A        | 60 W                                   | 65.2 W                                      | 294 mA  | 78 °C         | -25 ... +50 °C            |
| LCA 100W 24V one4all SC PRE | 70 %  | 24 V            | 2.917 A        | 70 W                                   | 75.7 W                                      | 337 mA  | 78 °C         | -25 ... +50 °C            |
| LCA 100W 24V one4all SC PRE | 80 %  | 24 V            | 3.333 A        | 80 W                                   | 86.2 W                                      | 381 mA  | 80 °C         | -25 ... +50 °C            |
| LCA 100W 24V one4all SC PRE | 90 %  | 24 V            | 3.750 A        | 90 W                                   | 96.6 W                                      | 425 mA  | 80 °C         | -25 ... +45 °C            |
| LCA 100W 24V one4all SC PRE | 100 % | 24 V            | 4.167 A        | 100 W                                  | 107.1 W                                     | 468 mA  | 80 °C         | -25 ... +45 °C            |

① Valid at 100 % dimming level.

② Depending on the DALI traffic at the interface.

③ Each article is single packed. In the individual package is the driver and the strain relief kits.