



## String RGB

Each String RGB consists of 32 high intensity Nichia LEDs in series (per string) with a 62.5mm pitch. The LEDs on the string are single dot controllable by DMX or e:pix, and is connected using the Traxon TX Connect system. Each package comes with 5 String RGBs and a Pixel Distributor. The String RGB is the perfect all-purpose solution for challenging surfaces where unique, eye-catching decoration is desired.



### Product Specifications

Model	String RGB	String RGB with diffuser dome
Light Source	32 High intensity Nichia SMT LEDs on each string. Total 160 LEDs on 5 strings.	
Color Range	16.7 Million additive RGB colors	
Color Resolution	3 x 14-bit (Gamma correction)	
Viewing Angle	120°	170°
LED Pitch	62.5mm / 2.46"	
Cover Lens	Clear PVC	PC diffuser dome
Housing	Thermoplastic Polyurethane Elastomer	
Housing Color	White / Grey	
Adjustment Options	Flexible cable	
Dimensions (L x W x H)	2300 x 18.8 x 10.5mm (per string) 90.55" x 0.74" x 0.41" (per string)	
Weight	0.3kg / 0.66lbs (per string), 0.9kg / 2lbs (Pixel Distributor)	
Regulatory Listing & Safety Approval	CE, FCC, cETLus	
Operating Temperature	-20°C to 50°C / -4°F to 122°F	
Storage Temperature	-20°C to 70°C / -40°F to 158°F	
Environment	Outdoor (Strings - IP67 rated; Pixel Distributor - IP66 rated)	
Humidity	0 to 90%, non-condensing	

### Electrical Specifications

Operating Voltage	24V DC
Power Consumption	98W max. (Pixel Distributor and 5 Strings)

### System Specifications

Power/Data Interface	TX CONNECT Smart
Control	DMX512 / e:pix
Power Supply	LED Engine Smart 150W Indoor / Outdoor
Addressing Options	Auto-Addressing

This product is NOT suitable for coastal environments. Any such installation will void the product warranty.

**LED CHARACTERISTICS** Because LEDs are semiconductor devices, their performances are subject to inherent variability commonly found in semiconductor industry. To improve consistency in performance across the same product, LED manufacturers "sort" LEDs into bins according to different preset parameters, such as forward driving voltage, illumination, etc. Whereas binning is a sorting function, it is not a correction process. Inherent variability in the manufacturing process results always in different binning distributions according to different production lots. Traxon uses automatically binned LEDs on its products, thereby minimizing output variations within the model range.

As with all electronic devices, LED output degrades over time – a term called lumen depreciation. This also explains why it is nearly impossible to expect photometric performances of two LED products with different service life spans to be the same. The rate of LED degrade is a complicate function of many factors such as operating efficiency, duration of continuous operation, and more significantly, environmental conditions (ambient temperature for example). If allowed working under optimal operating temperature range and with good ventilation, LED devices enjoy long service lives over conventional light sources. When using/installing LED devices, care should be taken to ensure that the devices will operate within the operating conditions specified in respective product literature.

Lumen measurement complies with LM-79-08 standard.  
 Lumen maintenance is calculated based on LM-80 compliant measurement.

[www.traxontechnologies.com](http://www.traxontechnologies.com)

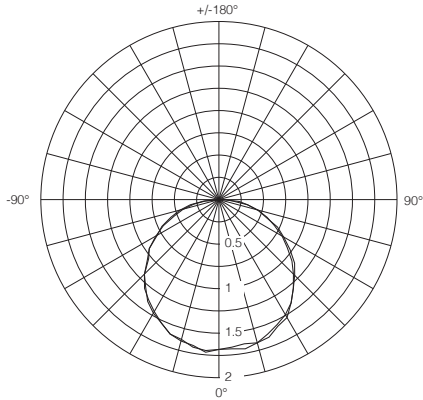
©2015 TRAXON TECHNOLOGIES - AN OSRAM BUSINESS. ALL RIGHTS RESERVED. TRAXON™, TX CONNECT®, ARE TRADEMARKS OF TRAXON TECHNOLOGIES. U.S. PATENTS, E.U. PATENTS, JAPAN PATENTS, OTHER PATENTS PENDING. SPECIFICATIONS ARE SUBJECT TO CHANGE WITHOUT NOTICE.

## String RGB

## Photometrics

### Candela Distribution

### Light Output



Measured on: White

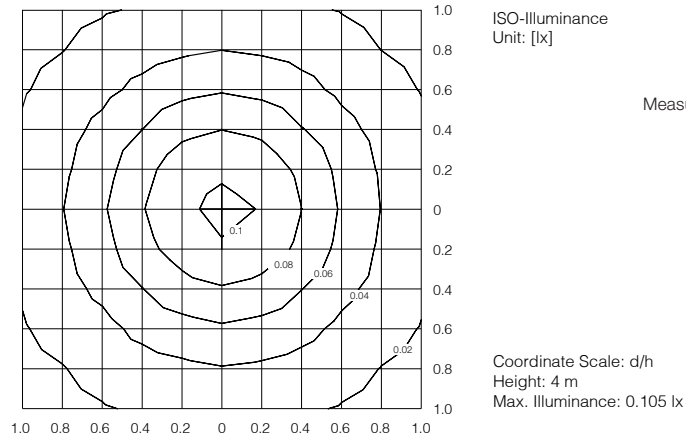
Beam angle (50% I<sub>max</sub>): 117°

Color	Luminous Flux (lm)	Power (Watts)	Efficacy (lm/W)
White	5.25	0.46	11.41
Red	1.17	0.16	7.31
Green	2.8	0.16	17.50
Blue	0.35	0.16	2.19

### Illuminance

Distance	10cm/3.9"	25cm/9.8"	50cm/19.7"	75cm/29.5"	100cm/39.4"
Lux	168	27	7	3	2
50% I <sub>max</sub> (diameter)	33cm/13.0"	82cm/32.3"	163cm/64.2"	245cm/96.5"	326cm/128.3"

### Illuminance at a Distance

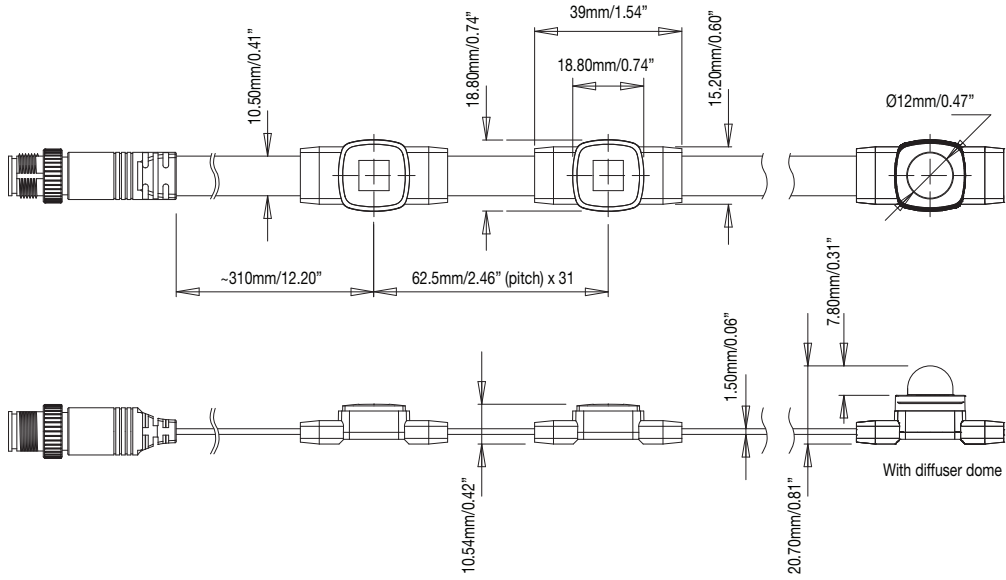


Photometric measurements are carried out by an independent laboratory. IES and LDT files are available for download from the Traxon website.

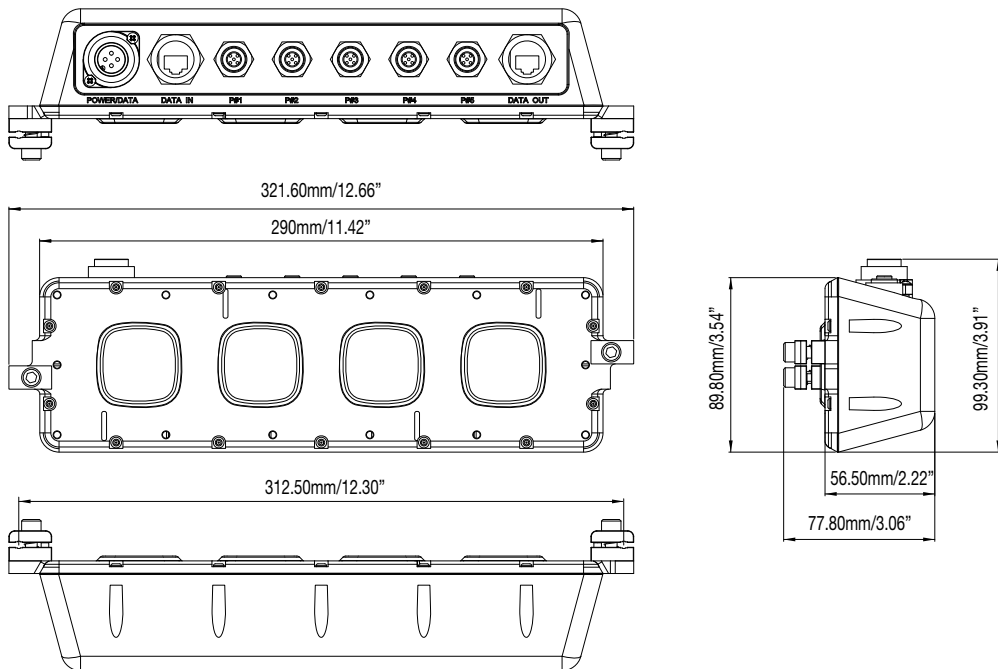
## String RGB

## Dimensions

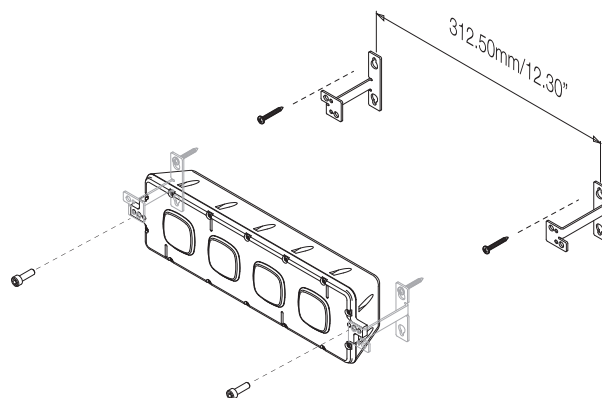
### String



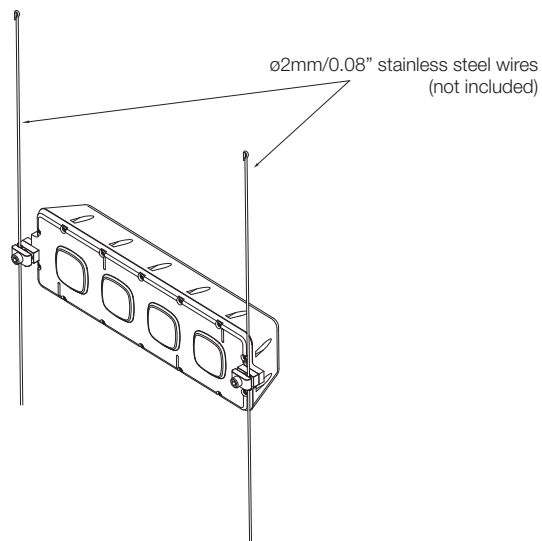
### Pixel Distributor



### Mounting Wall with Bracket



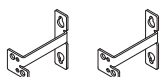
### Mounting on Wire



### Mounting Accessories

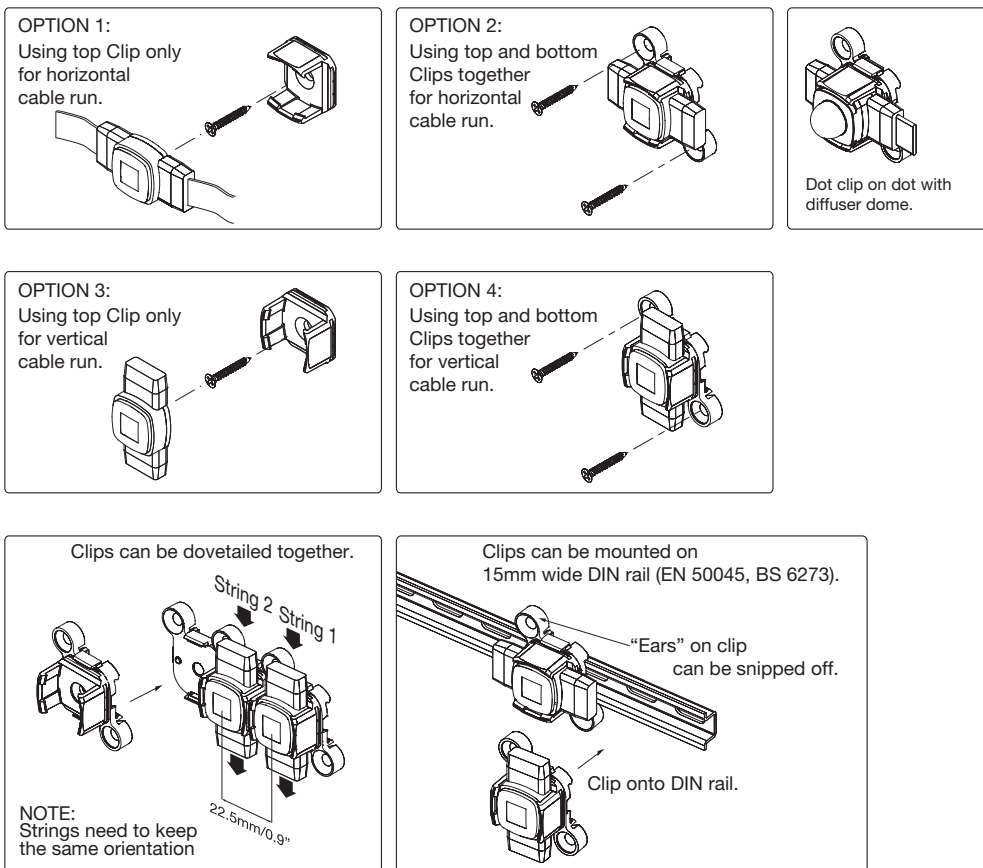
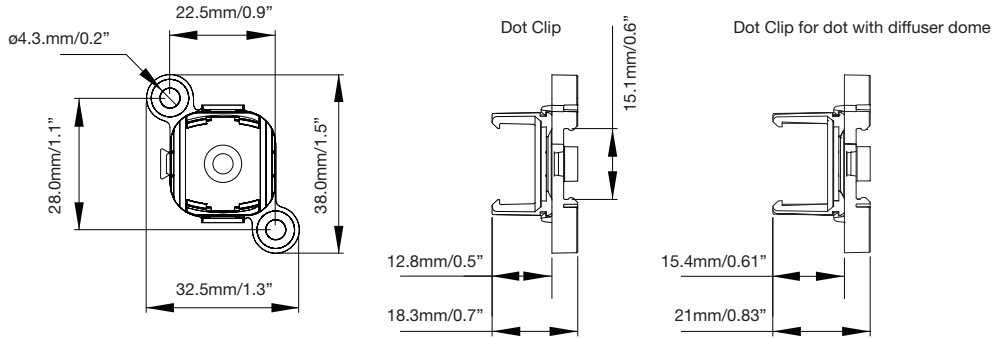


2 x ST Screws

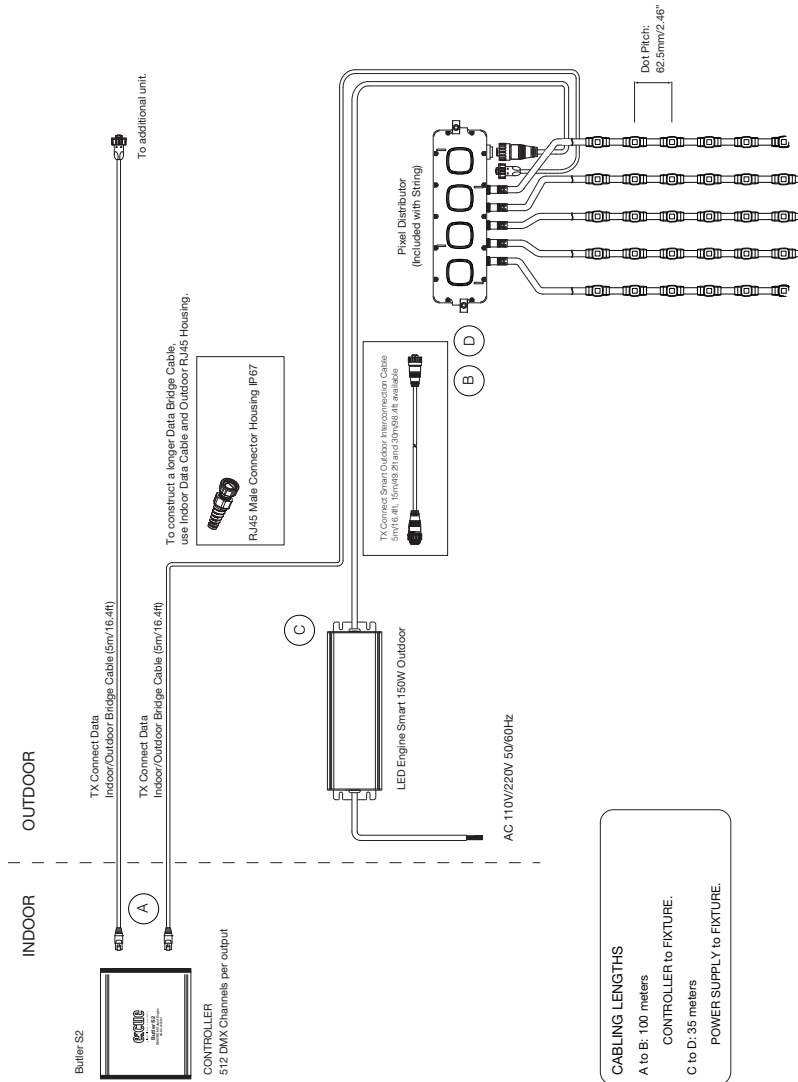
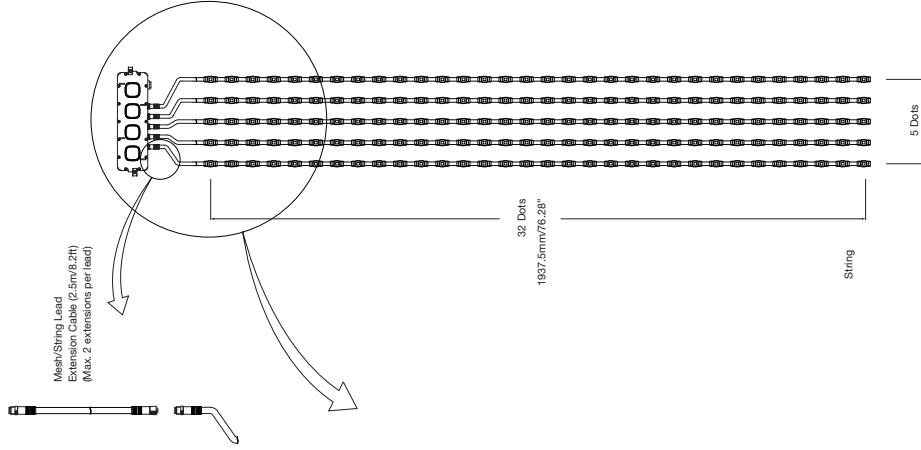


2 x Mount Brackets

### Optional Dot Clip

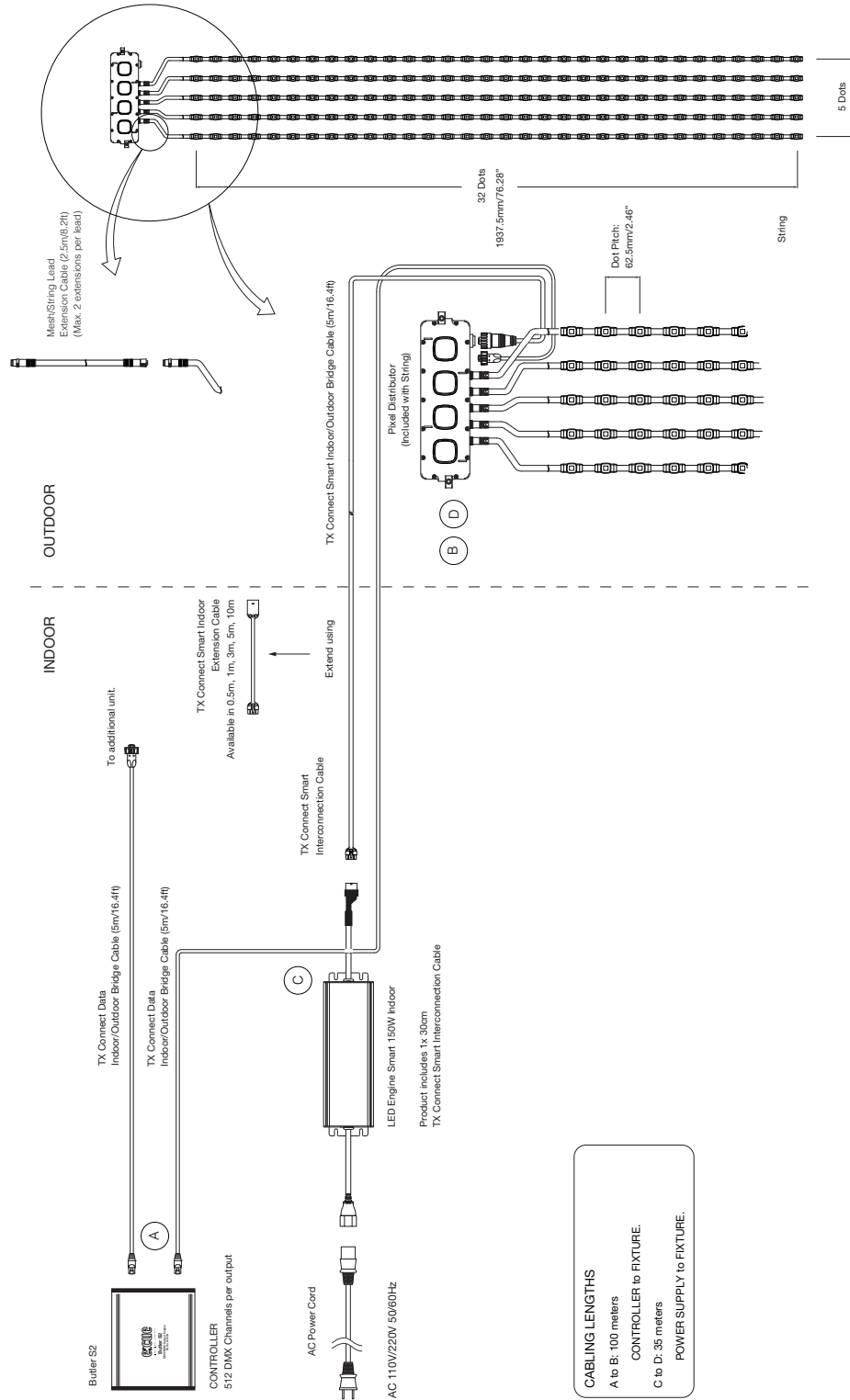


### System Diagram - Outdoor System



**CABLING LENGTHS**  
 A to B: 100 meters  
 CONTROLLER to FIXTURE.  
 C to D: 35 meters  
 POWER SUPPLY to FIXTURE.

### System Diagram - Indoor System



www.traxontechnologies.com

©2015 TRAXON TECHNOLOGIES - AN OSRAM BUSINESS. ALL RIGHTS RESERVED. TRAXON™, TX CONNECT®, ARE TRADEMARKS OF TRAXON TECHNOLOGIES. U.S. PATENTS, E.U. PATENTS, JAPAN PATENTS, OTHER PATENTS PENDING. SPECIFICATIONS ARE SUBJECT TO CHANGE WITHOUT NOTICE.



## String RGB

Ordering

### Fixtures

Model No.	Description	Item Code
DO.SA.7014100	String RGB	AA619730055
DO.TA.7014100	String RGB with Diffuser Dome	AA638090055

### Standard Accessories (Included in Delivery)

Model No.	Description	Item Code
N/A	1x Pixel Distributor, 2x Mounting Brackets, 2x ST Screws	N/A

### Optional Accessories

Model No.	Description	Item Code
DO.AC.0000800	Connector End Cap M12	AA438670055
DO.AC.0001200	Dot Clip	AA556170055
DO.AC.0002300	Dot Clip (for dot with dome)	AA556180055

### TX Control

Model No.	Description	Item Code
EN.LC.9300000	LCE2	AA629450035
EN.LC.9400000	LCE2 fx	AA629460035
EN.BU.0000001	Butler S2	AA624080072
160185	Video Micro Converter (DMX/e:pix)	AA438940235

[www.traxontechnologies.com](http://www.traxontechnologies.com)

©2015 TRAXON TECHNOLOGIES - AN OSRAM BUSINESS. ALL RIGHTS RESERVED. TRAXON™, TX CONNECT®, ARE TRADEMARKS OF TRAXON TECHNOLOGIES. U.S. PATENTS, E.U. PATENTS, JAPAN PATENTS, OTHER PATENTS PENDING. SPECIFICATIONS ARE SUBJECT TO CHANGE WITHOUT NOTICE.



### TX Connect

Model No.	Description	Item Code
DO.AC.0000710	String Lead Extension Cable (white), 2.5m/8.4ft	AA639100055
TE.AC.0000100	TX CONNECT Smart Indoor/Outdoor Bridge Cable, 5m/16.4ft	AA438890055
DE.AC.0000100	TX CONNECT Data Indoor/Outdoor Bridge Cable, 5m/16.4ft	AA508850055
TI.EC.0100000	TX CONNECT Smart Extension Cable, 1m/3.28ft	A6342330055
TI.EC.0300000	TX CONNECT Smart Extension Cable, 3m/9.84ft	A6342410055
TI.EC.0500000	TX CONNECT Smart Extension Cable, 5m/16.4ft	AA580410055
TI.EC.1000000	TX CONNECT Smart Extension Cable, 10m/32.8ft	A6342680055
TE.IC.0500000	TX CONNECT Smart Outdoor Interconnection Cable, 5m/16.4ft	AA438920055
TE.IC.1500000	TX CONNECT Smart Outdoor Interconnection Cable, 15m/49.2ft	AA438910055
TE.IC.3000000	TX CONNECT Smart Outdoor Interconnection Cable, 30m/98.4ft	AA556320055
DI.IC.0100000	TX CONNECT Data Cable, 1m/3.28ft	AA556130055
DI.IC.0300000	TX CONNECT Data Cable, 3m/9.8ft	A63408C0055
DI.IC.0500000	TX CONNECT Data Cable, 5m/16.4ft	AA556140055
DI.IC.1000000	TX CONNECT Data Cable, 10m/32.8ft	A6341040055
DI.IC.2000000	TX CONNECT Data Cable, 20m/65.6ft	AA556150055
DE.IC.0060000	TX CONNECT Data Outdoor Cable, 0.6m/1.97ft	AA438800055
DE.IC.0300000	TX CONNECT Data Outdoor Cable, 3m/9.84ft	AA438810055
DE.AC.0100000	RJ45 Male Connector Housing IP67	AA556100155

### TX Power

Model No.	Description	Item Code
PS.IC.0010000	LED Engine SMART 150W 24V Indoor	AA5571301HA
PS.OA.0010000	LED Engine SMART 150W 24V Outdoor	AA6241000HA
PS.AC.0000100	AC Power Cord (2m/6.6ft) - EU	AA553860055
PS.AC.0000200	AC Power Cord (2m/6.6ft) - US	AA556290055
PS.AC.0000300	AC Power Cord (2m/6.6ft) - UK	AA556300155
PS.AC.0000400	AC Power Cord (2m/6.6ft) - AU	AA556310055