

Date: \_\_\_\_\_ Quantity: \_\_\_\_\_

Company: \_\_\_\_\_

Project: \_\_\_\_\_



## ProPoint™ Pixel Dynamic White Clear Lens

The ProPoint Pixel Dynamic White Clear Lens is an AC line powered, high brightness luminaire. The luminaire is controllable via DMX512, and is connected using a daisy chain topology, allowing easy installation to form long run lengths. Remote Device Management (RDM) circuits are built into each luminaire which enables extensive control and monitoring of the entire installation. The ProPoint Pixel Dynamic White Clear Lens has a low-profile and is ideal for many types of exterior architectural, retail, and hospitality façades where a changeable range of white is desired or to create white media effects.

### Product Specifications

|  |   |
|--|---|
| <b>Model</b>                             | ProPoint Pixel Clear Lens                                 |
| <b>Light Source</b>                      | 6 pcs 2200K / 6 pcs 6500K LEDs                            |
| <b>Color Range</b>                       | DW (2200K-6500K)  |
| <b>Viewing Angle</b>                     | 100°  |
| <b>Luminous Flux</b>                     | 848 lm  |
| <b>Efficacy</b>                          | 42 lm/W   |
| <b>Lumen Maintenance</b>                 | L <sub>70</sub> @ 25° 81,000 hours                        |
| <b>Cover Lens</b>                        | 2.0mm UV stable polycarbonate                             |
| <b>Housing</b>                           | Die Cast Aluminum   |
| <b>Size</b>                              | 144.8 x 81.3 x 119.4mm (5.7" x 3.2" x 4.7")               |
| <b>Weight</b>                            | 1.3 kgs (2.87 lbs.)                                       |
| <b>Regulatory/Product Certifications</b> | cETLus, CE, FCC, RoHS, REACH, ASTM B117-16, ANSI 3G, IK10 |
| <b>Operating Temperature</b>             | -30°C to +55°C (-22°F to +131°F)                          |
| <b>Minimum Starting Temperature</b>      | -20°C (-4°F)  |
| <b>Storage Temperature</b>               | -40°C to +80°C (-40°F to +176°F)                          |
| <b>Environment</b>                       | IP66 Outdoor, suitable for coastal environments           |
| <b>Humidity</b>                          | 85%, non-condensing                                       |

### Electrical Specifications

|                                  |                                |
|----------------------------------|--------------------------------|
| <b>Input Voltage<sup>1</sup></b> | 100-277V <sub>AC</sub> 50/60Hz |
| <b>Power Consumption</b>         | 20W                            |
| <b>Power Factor</b>              | ≥0.9                           |

### System Specifications

|                     |                     |
|---------------------|---------------------|
| <b>Power</b>        | AC Line             |
| <b>Control</b>      | DMX512, RDM Enabled |
| <b>Power Supply</b> | Integrated          |

1. Auto-switching. Single phase (line, neutral and ground).

LED CHARACTERISTICS: Because LEDs are semiconductor devices, their performances are subject to inherent variability commonly found in semiconductor industry. To improve consistency in performance across the same product, LED manufacturers "sort" LEDs into bins according to different preset parameters, such as forward driving voltage, illumination, etc. Whereas binning is a sorting function, it is not a correction process. Inherent variability in the manufacturing process always results in different binning distributions according to different production lots. Traxon uses automatically binned LEDs on its products, thereby minimizing output variations within the model range.

As with all electronic devices, LED output degrades over time – a term called lumen depreciation. This also explains why it is nearly impossible to expect photometric performances of two LED products with different service life spans to be the same. The rate of LED degrade is a complicated function involving many factors, such as operating efficiency, duration of continuous operation and, more significantly, environmental conditions (ambient temperature for example). If allowed, working under optimal operating temperature range and with good ventilation, LED devices enjoy long service lives over conventional light sources. When using/installing LED devices, care should be taken to ensure that the devices will operate within the operating conditions specified in respective product literature.

Lumen measurement complies with LM-79-08 standard.  
Lumen maintenance is calculated based on LM-80 compliant measurement.

[www.traxontechnologies.com](http://www.traxontechnologies.com)  
[www.osram.us/traxon](http://www.osram.us/traxon)

©2020 TRAXON TECHNOLOGIES – AN OSRAM BUSINESS. ALL RIGHTS RESERVED. TRAXON™ AND TX CONNECT® ARE TRADEMARKS OF TRAXON TECHNOLOGIES. U.S. PATENTS, E.U. PATENTS, JAPAN PATENTS, OTHER PATENTS PENDING. SPECIFICATIONS ARE SUBJECT TO CHANGE WITHOUT NOTICE.

# ProPoint™ Pixel Dynamic White Clear Lens

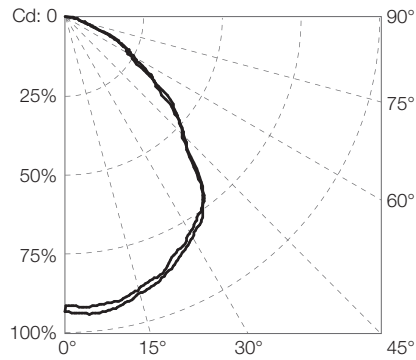
## Photometrics

### Source Specifications

|               |                                |
|---------------|--------------------------------|
| LED Source    | 6 pcs 2200K / 6 pcs 6500K LEDs |
| Viewing Angle | 100°                           |
| Cover Lens    | Clear UV stable polycarbonate  |

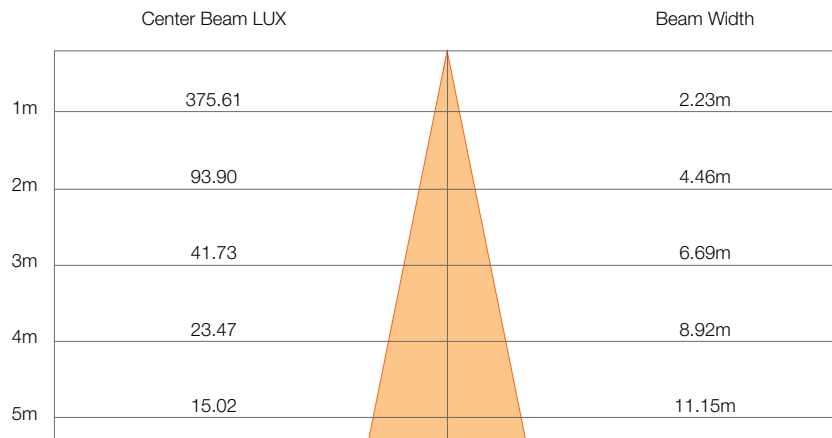
### Candela Distribution

### Light Output



| Color Temperature     | Luminous Flux (lm) | Candela Distribution @100% | Efficacy (lm/W) |
|-----------------------|--------------------|----------------------------|-----------------|
| White (full on)       | 848.09             | 379.4                      | 42.40           |
| Warm White (2200K)    | 325.32             | 152.3                      | 29.57           |
| Warm White (2700K)    | 403.66             | 188.4                      | 31.54           |
| Neutral White (4000K) | 810.17             | 365.8                      | 41.13           |
| Cold White (6500K)    | 520.92             | 222                        | 47.36           |

### Illuminance at a Distance



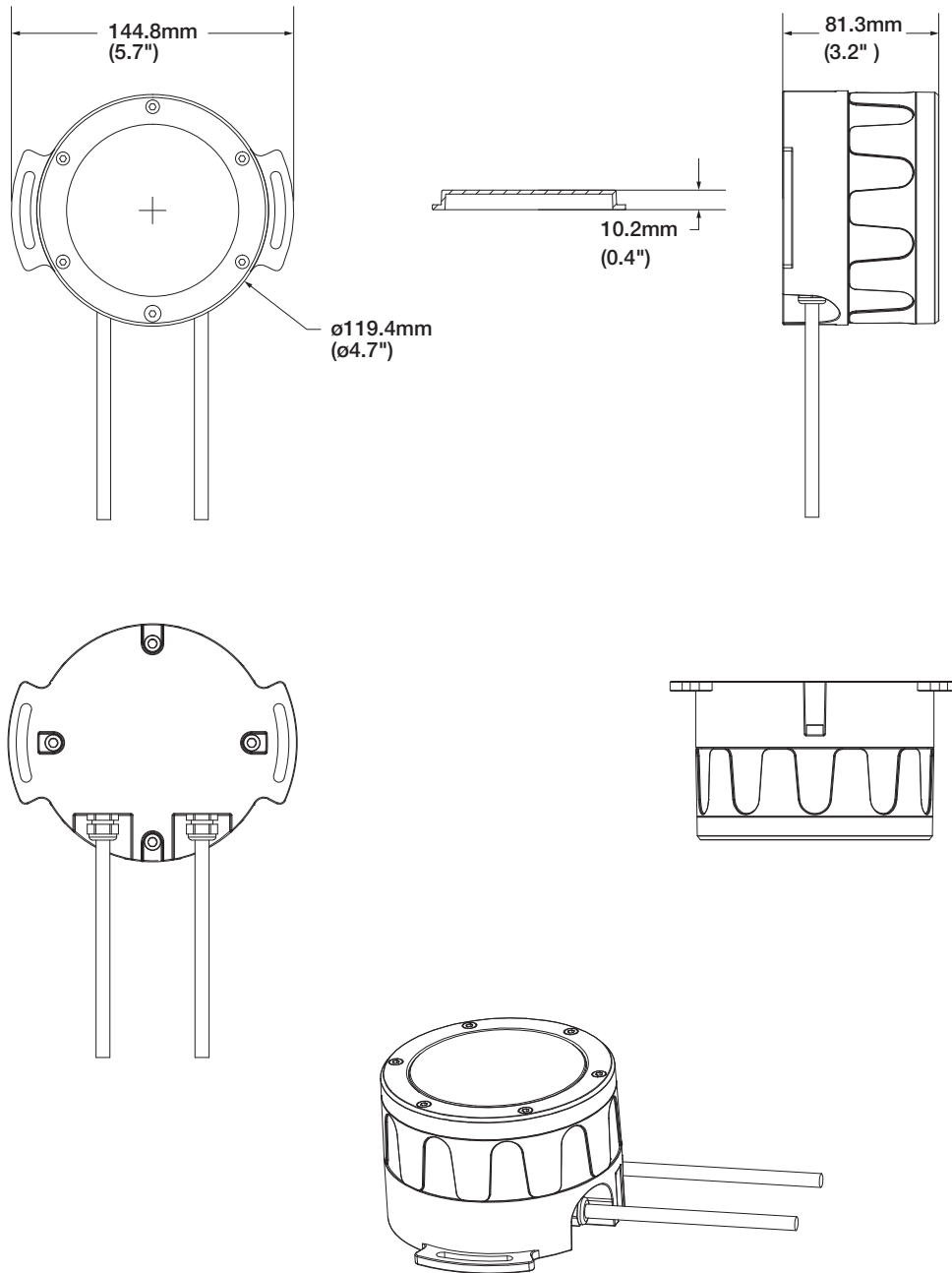
- Vert. Spread: 96.2°
  - Horiz. Spread: 96.2°
- For feet multiply by 3.28  
For fc divide by 10.7

[www.traxontechnologies.com](http://www.traxontechnologies.com)  
[www.osram.us/traxon](http://www.osram.us/traxon)

©2020 TRAXON TECHNOLOGIES - AN OSRAM BUSINESS. ALL RIGHTS RESERVED. TRAXON™ AND TX CONNECT® ARE TRADEMARKS OF TRAXON TECHNOLOGIES. U.S. PATENTS, E.U. PATENTS, JAPAN PATENTS, OTHER PATENTS PENDING. SPECIFICATIONS ARE SUBJECT TO CHANGE WITHOUT NOTICE.

# ProPoint™ Pixel Dynamic White Clear Lens

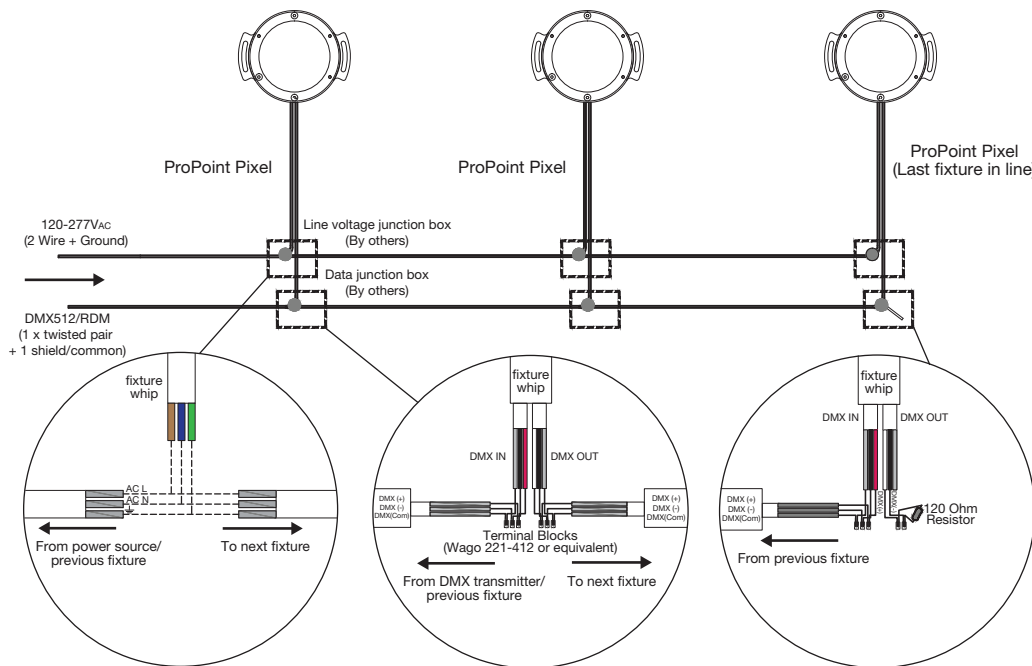
## Dimensions



[www.traxontechnologies.com](http://www.traxontechnologies.com)  
[www.osram.us/traxon](http://www.osram.us/traxon)

©2020 TRAXON TECHNOLOGIES - AN OSRAM BUSINESS. ALL RIGHTS RESERVED. TRAXON™ AND TX CONNECT® ARE TRADEMARKS OF TRAXON TECHNOLOGIES. U.S. PATENTS, E.U. PATENTS, JAPAN PATENTS, OTHER PATENTS PENDING. SPECIFICATIONS ARE SUBJECT TO CHANGE WITHOUT NOTICE.

- ProPoint Pixel fixtures ship with two cable whips: One cable whip for power input, consisting of two wires plus a ground, and one cable whip for DMX512 RDM input/output.
- No more than (32) fixtures on a single DMX512 link, max 300m total (source to last fixture).
- Data cabling from DMX source to first fixture and between subsequent ProPoint Pixel fixtures shall be Cat5e UTP or higher (stranded type only) or other cable type suitable for DMX communication. Consult DMX standard for additional guidance.



- Each DMX512 link must be properly terminated to prevent signal reflections.

### General Notes

- All data cabling must adhere to ANSI E1.11-2008 (R2013) – Entertainment Technology – USITT DMX512-A, Asynchronous Serial Digital Data Transmission Standard for Controlling Lighting Equipment and Accessories.
- Fixture is RDM compatible.
- Fixtures allow a universal input of 100V<sub>AC</sub> to 277V<sub>AC</sub>.
- Data termination shall utilize cage clamp terminal blocks, or equivalent. Wire nuts are not permissible and will void warranty.
- The method of line voltage termination, both for data and power, is at the discretion of the installing contractor, and/or engineer. Splicing and/or joining of cables must adhere to all applicable electrical codes.
- Cables must be spliced/joined in a weatherproof enclosure/junction box, which is to be properly rated and provided by others.

# ProPoint™ Pixel Dynamic White Clear Lens

Ordering

## Model Number

| PP       | X1    | 9       | X               | X                   | X                 | 0 | X        |
|----------|-------|---------|-----------------|---------------------|-------------------|---|----------|
| ProPoint | Pixel | Control | Color           | CCT                 | Lens              |   | Finish   |
|          |       | 9: DMX  | 1: Static White | 3: 3000K            | 1: Clear Lens     |   | 1: Gray  |
|          |       |         | 2: DW           | 4: 4000K            | 2: Diffused Dome  |   | 2: Black |
|          |       |         | 4: RGBW         | 7: 2200K-6500K (DW) | 3: Diffused Prism |   | 3: White |
|          |       |         | A: RGB          |                     | 4: Diffused Drum  |   |          |
|          |       |         |                 |                     | 5: Diffused Lens  |   |          |

## Fixtures

| Model Number | Description                           | Item Code   |
|--------------|---------------------------------------|-------------|
| PP.X1.927101 | ProPoint Pixel DW Clear Lens Gray     | AM369050055 |
| PP.X1.927102 | ProPoint Pixel DW Clear Lens Black    | AM369100055 |
| PP.X1.927103 | ProPoint Pixel DW Clear Lens White    | AM369150055 |
| PP.X1.927501 | ProPoint Pixel DW Diffused Lens Gray  | AM369010055 |
| PP.X1.927502 | ProPoint Pixel DW Diffused Lens Black | AM369060055 |
| PP.X1.927503 | ProPoint Pixel DW Diffused Lens White | AM369110055 |

## Accessories

| Model Number | Description              | Item Code   |
|--------------|--------------------------|-------------|
| AM243520054  | ProPoint Termination Kit | AM243520054 |

## Our Brands


  
[www.traxontechnologies.com](http://www.traxontechnologies.com)
  
[www.osram.us/traxon](http://www.osram.us/traxon)



©2020 TRAXON TECHNOLOGIES - AN OSRAM BUSINESS. ALL RIGHTS RESERVED. TRAXON™ AND TX CONNECT® ARE TRADEMARKS OF TRAXON TECHNOLOGIES. U.S. PATENTS, E.U. PATENTS, JAPAN PATENTS, OTHER PATENTS PENDING. SPECIFICATIONS ARE SUBJECT TO CHANGE WITHOUT NOTICE.