
PrevaLED COIN 50 AC G1

Spot-, Down- and Wallmount Light Engines and Modules



Product family datasheet

Technical data

Electrical data

Product description	Nominal current	Nominal voltage	Input voltage range	Power factor λ	Type of current
PL-CN 50AC-650-830-24-G1	0.039 A	230 V	220...240 V	0.90	DC
PL-CN 50AC-650-830-40-G1	0.039 A	230 V	220...240 V	0.90	DC
PL-CN 50AC-650-840-24-G1	0.039 A	230 V	220...240 V	0.90	DC
PL-CN 50AC-650-840-40-G1	0.039 A	230 V	220...240 V	0.90	DC
PL-CN 50AC-800-830-24-G1	0.043 A	230 V	220...240 V	0.90	DC
PL-CN 50AC-800-830-40-G1	0.043 A	230 V	220...240 V	0.90	DC
PL-CN 50AC-800-830-60-G1	0.043 A	230 V	220...240 V	0.90	DC
PL-CN 50AC-800-840-24-G1	0.043 A	230 V	220...240 V	0.90	DC
PL-CN 50AC-800-840-40-G1	0.043 A	230 V	220...240 V	0.90	DC
PL-CN 50AC-800-840-60-G1	0.043 A	230 V	220...240 V	0.90	DC

Photometrical data

Product description	Total useful luminous flux	Color temperature	Standard deviation of color matching	Rated peak intensity	Nominal useful luminous flux 90°	Rated useful luminous flux 90°
PL-CN 50AC-650-830-24-G1	650 lm	3000 K	≤ 4 sdc	2535 cd	585 lm	585 lm
PL-CN 50AC-650-830-40-G1	650 lm	3000 K	≤ 4 sdc	1300 cd	585 lm	585 lm
PL-CN 50AC-650-840-24-G1	720 lm	4000 K	≤ 4 sdc	2810 cd	648 lm	648 lm
PL-CN 50AC-650-840-40-G1	720 lm	4000 K	≤ 4 sdc	1440 cd	648 lm	648 lm
PL-CN 50AC-800-830-24-G1	800 lm	3000 K	≤ 4 sdc	3120 cd	720 lm	720 lm
PL-CN 50AC-800-830-40-G1	800 lm	3000 K	≤ 4 sdc	1600 cd	720 lm	720 lm
PL-CN 50AC-800-830-60-G1	800 lm	3000 K	≤ 4 sdc	720 cd	640 lm	640 lm
PL-CN 50AC-800-840-24-G1	835 lm	4000 K	≤ 4 sdc	3255 cd	720 lm	720 lm
PL-CN 50AC-800-840-40-G1	835 lm	4000 K	≤ 4 sdc	1670 cd	720 lm	720 lm
PL-CN 50AC-800-840-60-G1	835 lm	4000 K	≤ 4 sdc	750 cd	640 lm	640 lm

Product family datasheet

Light technical data

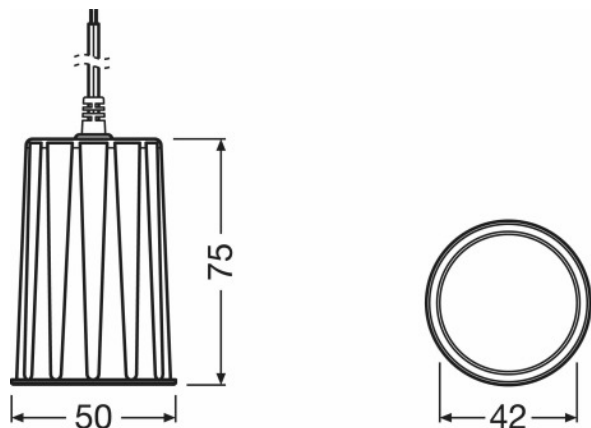
Product description	Rated beam angle (half peak value)
PL-CN 50AC-650-830-24-G1	24.00 °
PL-CN 50AC-650-830-40-G1	40.00 °
PL-CN 50AC-650-840-24-G1	24.00 °
PL-CN 50AC-650-840-40-G1	40.00 °
PL-CN 50AC-800-830-24-G1	24.00 °
PL-CN 50AC-800-830-40-G1	40.00 °
PL-CN 50AC-800-830-60-G1	60.00 °
PL-CN 50AC-800-840-24-G1	24.00 °
PL-CN 50AC-800-840-40-G1	40.00 °
PL-CN 50AC-800-840-60-G1	60.00 °

Dimensions & weight

Product description	Diameter	Product weight
PL-CN 50AC-650-830-24-G1	50.0 mm	185.00 g
PL-CN 50AC-650-830-40-G1	50.0 mm	185.00 g
PL-CN 50AC-650-840-24-G1	50.0 mm	185.00 g
PL-CN 50AC-650-840-40-G1	50.0 mm	185.00 g
PL-CN 50AC-800-830-24-G1	50.0 mm	185.00 g
PL-CN 50AC-800-830-40-G1	50.0 mm	185.00 g
PL-CN 50AC-800-830-60-G1	50.0 mm	185.00 g
PL-CN 50AC-800-840-24-G1	50.0 mm	185.00 g
PL-CN 50AC-800-840-40-G1	50.0 mm	185.00 g
PL-CN 50AC-800-840-60-G1	50.0 mm	185.00 g

Product family datasheet

Product line drawing



PL-CN 50AC-650-830-24-G1, PL-CN 50AC-650-830-40-G1,
PL-CN 50AC-650-840-24-G1, PL-CN 50AC-650-840-40-G1,
PL-CN 50AC-800-830-24-G1, PL-CN 50AC-800-830-40-G1,
PL-CN 50AC-800-830-60-G1, PL-CN 50AC-800-840-24-G1,
PL-CN 50AC-800-840-40-G1, PL-CN 50AC-800-840-60-G1

Temperatures

Product description	Maximum temperature at tc test point	Ambient temperature range	Temperature range at storage
PL-CN 50AC-650-830-24-G1	90 °C	-20...+40 °C	-40...80 °C
PL-CN 50AC-650-830-40-G1	90 °C	-20...+40 °C	-40...80 °C
PL-CN 50AC-650-840-24-G1	90 °C	-20...+40 °C	-40...80 °C
PL-CN 50AC-650-840-40-G1	90 °C	-20...+40 °C	-40...80 °C
PL-CN 50AC-800-830-24-G1	90 °C	-20...+40 °C	-40...80 °C
PL-CN 50AC-800-830-40-G1	90 °C	-20...+40 °C	-40...80 °C
PL-CN 50AC-800-830-60-G1	90 °C	-20...+40 °C	-40...80 °C
PL-CN 50AC-800-840-24-G1	90 °C	-20...+40 °C	-40...80 °C
PL-CN 50AC-800-840-40-G1	90 °C	-20...+40 °C	-40...80 °C
PL-CN 50AC-800-840-60-G1	90 °C	-20...+40 °C	-40...80 °C

Product family datasheet

Lifespan

Product description	Lumen main. fact. at end of nom. life time	Lifespan	Rated lamp life time	Number of switching cycles
PL-CN 50AC-650-830-24-G1	0.70	35000 h ¹⁾	35000 h	100000
PL-CN 50AC-650-830-40-G1	0.70	35000 h ¹⁾	35000 h	100000
PL-CN 50AC-650-840-24-G1	0.70	35000 h ¹⁾	35000 h	100000
PL-CN 50AC-650-840-40-G1	0.70	35000 h ¹⁾	35000 h	100000
PL-CN 50AC-800-830-24-G1	0.70	35000 h ¹⁾	35000 h	100000
PL-CN 50AC-800-830-40-G1	0.70	35000 h ¹⁾	35000 h	100000
PL-CN 50AC-800-830-60-G1	0.70	35000 h ¹⁾	35000 h	100000
PL-CN 50AC-800-840-24-G1	0.70	35000 h ¹⁾	35000 h	100000
PL-CN 50AC-800-840-40-G1	0.70	35000 h ¹⁾	35000 h	100000
PL-CN 50AC-800-840-60-G1	0.70	35000 h ¹⁾	35000 h	100000

¹⁾ At T_c 73 °C

Capabilities

Product description	Dimmable
PL-CN 50AC-650-830-24-G1	Yes
PL-CN 50AC-650-830-40-G1	Yes
PL-CN 50AC-650-840-24-G1	Yes
PL-CN 50AC-650-840-40-G1	Yes
PL-CN 50AC-800-830-24-G1	Yes
PL-CN 50AC-800-830-40-G1	Yes
PL-CN 50AC-800-830-60-G1	Yes
PL-CN 50AC-800-840-24-G1	Yes
PL-CN 50AC-800-840-40-G1	Yes
PL-CN 50AC-800-840-60-G1	Yes

Product family datasheet

Certificates & standards

Product description	Standards	Energy efficiency class
PL-CN 50AC-650-830-24-G1	Acc. to IEC 62471/Acc. to IEC 60598-1/UL-94/Acc. to EN 62031/Acc. to EN 55015/Acc. to EN 61547/CE/ROHS	A
PL-CN 50AC-650-830-40-G1	Acc. to IEC 62471/UL-94/Acc. to IEC 60598-1/Acc. to EN 62031/Acc. to EN 55015/Acc. to EN 61547/CE/ROHS	A
PL-CN 50AC-650-840-24-G1	Acc. to IEC 62471/Acc. to IEC 60598-1/Acc. to EN 62031/Acc. to EN 55015/Acc. to EN 61547/UL-94/CE/ROHS	A+
PL-CN 50AC-650-840-40-G1	Acc. to IEC 62471/Acc. to IEC 60598-1/Acc. to EN 62031/Acc. to EN 55015/Acc. to EN 61547/UL-94/CE/ROHS	A+
PL-CN 50AC-800-830-24-G1	Acc. to IEC 62471/Acc. to IEC 60598-1/Acc. to EN 62031/Acc. to EN 55015/Acc. to EN 61547/CE/UL-94/ROHS	A+
PL-CN 50AC-800-830-40-G1	Acc. to IEC 62471/Acc. to IEC 60598-1/UL-94/Acc. to EN 62031/Acc. to EN 55015/Acc. to EN 61547/CE/ROHS	A+
PL-CN 50AC-800-830-60-G1	Acc. to IEC 62471/Acc. to IEC 60598-1/UL-94/Acc. to EN 62031/Acc. to EN 55015/Acc. to EN 61547/CE/ROHS	A
PL-CN 50AC-800-840-24-G1	Acc. to IEC 62471/Acc. to IEC 60598-1/Acc. to EN 62031/Acc. to EN 55015/Acc. to EN 61547/CE/UL-94/ROHS	A+
PL-CN 50AC-800-840-40-G1	Acc. to IEC 62471/Acc. to IEC 60598-1/UL-94/Acc. to EN 62031/Acc. to EN 55015/Acc. to EN 61547/CE/ROHS	A+
PL-CN 50AC-800-840-60-G1	Acc. to IEC 62471/Acc. to IEC 60598-1/UL-94/Acc. to EN 62031/Acc. to EN 55015/Acc. to EN 61547/CE/ROHS	A

Logistical data

Product description	Temperature range at storage
PL-CN 50AC-650-830-24-G1	-40...80 °C
PL-CN 50AC-650-830-40-G1	-40...80 °C
PL-CN 50AC-650-840-24-G1	-40...80 °C
PL-CN 50AC-650-840-40-G1	-40...80 °C
PL-CN 50AC-800-830-24-G1	-40...80 °C
PL-CN 50AC-800-830-40-G1	-40...80 °C
PL-CN 50AC-800-830-60-G1	-40...80 °C
PL-CN 50AC-800-840-24-G1	-40...80 °C
PL-CN 50AC-800-840-40-G1	-40...80 °C
PL-CN 50AC-800-840-60-G1	-40...80 °C

Application advice


For more detailed application information and graphics please see product datasheet.

Sales and Technical Support

Product family datasheet

Sales and Technical Support www.osram.com

Download Data

File
 Certificates CB TEST CERTIFICATE PL-CN50AC-G1

Logistical Data

Product code	Product description	Packaging unit (Pieces/Unit)	Dimensions (length x width x height)	Volume	Gross weight
4052899276727	PL-CN 50AC-650-830-24-G1	Shipping carton box 12	418 mm x 154 mm x 148 mm	9.53 dm ³	2937.00 g
4052899276765	PL-CN 50AC-650-830-40-G1	Shipping carton box 12	418 mm x 154 mm x 148 mm	9.53 dm ³	2887.00 g
4052899276741	PL-CN 50AC-650-840-24-G1	Shipping carton box 12	418 mm x 154 mm x 148 mm	9.53 dm ³	2893.00 g
4052899276789	PL-CN 50AC-650-840-40-G1	Shipping carton box 12	418 mm x 154 mm x 148 mm	9.53 dm ³	2879.00 g
4052899276604	PL-CN 50AC-800-830-24-G1	Shipping carton box 12	418 mm x 154 mm x 148 mm	9.53 dm ³	2918.00 g
4052899276642	PL-CN 50AC-800-830-40-G1	Shipping carton box 12	418 mm x 154 mm x 148 mm	9.53 dm ³	2893.00 g
4052899276680	PL-CN 50AC-800-830-60-G1	Shipping carton box 12	418 mm x 154 mm x 148 mm	9.53 dm ³	2893.00 g
4052899276628	PL-CN 50AC-800-840-24-G1	Shipping carton box 12	418 mm x 154 mm x 148 mm	9.53 dm ³	2893.00 g
4052899276666	PL-CN 50AC-800-840-40-G1	Shipping carton box 12	418 mm x 154 mm x 148 mm	9.53 dm ³	2909.00 g
4052899276703	PL-CN 50AC-800-840-60-G1	Shipping carton box 12	418 mm x 154 mm x 148 mm	9.53 dm ³	2893.00 g

The mentioned product code describes the smallest quantity unit which can be ordered. One shipping unit can contain one or more single products. When placing an order, for the quantity please enter single or multiples of a shipping unit.

Disclaimer

Subject to change without notice. Errors and omission excepted. Always make sure to use the most recent release.