

traxon



Monochrome Strip CW/WW

MB.ST.0060000  
MB.ST.0070000

The Traxon Monochrome Strip CW/WW offers crisp shades of cold/warm white light. Its ultra-slim profile and simple plug 'n' play connection allows up to 4.4m/14.5ft of fixtures to be daisy-chained in any space restricting scenarios. It is available with an optional PC cover.

OSRAM



PRODUCT SPECIFICATIONS

- **Models:** MB.ST.0060000: Monochrome Strip CW (12 Cold White LEDs)  
MB.ST.0070000: Monochrome Strip WW (12 Warm White LEDs)
- **Light Source:** 12 High intensity SMD LEDs
- **Color Temperature:** Cold White (CW) = 7000 K; Warm White (WW) = 3500 K
- **Color Resolution:** -
- **Beam Angle:** 120°
- **Cover Lens:** -
- **LED Pitch:** 24.5mm / 0.96"
- **Housing:** Optional clear PC (MB.AC.0400100)
- **Adjustment Options:** -
- **Size:** 288mm x 13mm x 3.6mm / 11.34" x 0.51" x 0.14"
- **Weight:** 20g / 0.7oz
- **Regulatory Listing & Safety Approval:** (Pending) CE, FCC (Class A ITE), cETLus
- **Operating Temperature:** 0°C ~ +50°C / 32°F ~ 122°F
- **Storage Temperature:** -20°C ~ +70°C / -4°F ~ 158°F
- **Rating:** Indoor
- **Humidity:** 0 ~ 90% non-condensing

ELECTRICAL SPECIFICATIONS

- **Operating Voltage:** 24V DC
- **Power Consumption:** MB.ST.0060000: 4W max.  
MB.ST.0070000: 4W max.

SYSTEM SPECIFICATIONS

- **Power/Data Interface:** TX CONNECT
- **Control:** On/Off
- **Power Supply:** LED Engine Smart 100W Indoor (PS.IA.0010000)
- **Addressing Options:** -

**LED CHARACTERISTICS** Because LEDs are semiconductor devices, their performances are subject to inherent variability commonly found in semiconductor industry. To improve consistency in performance across the same product, LED manufacturers "sort" LEDs into bins according to different preset parameters, such as forward driving voltage, illumination, etc. Whereas binning is a sorting function, it is not a correction process. Inherent variability in the manufacturing process results always in different binning distributions according to different production lots. Traxon uses automatically binned LEDs on its products, thereby minimizing output variations within the model range.

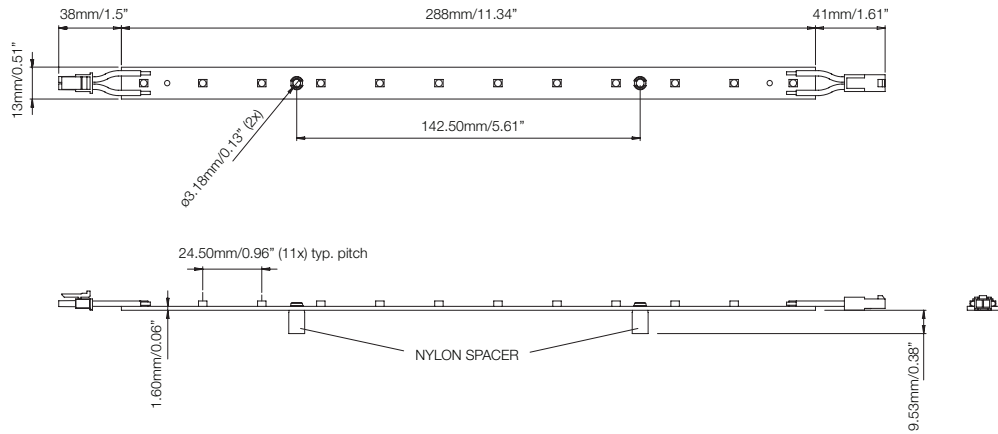
As with all electronic devices, LED output degrades over time – a term called lumen depreciation. This also explains why it is nearly impossible to expect photometric performances of two LED products with different service life spans to be the same. The rate of LED degrade is a complicate function of many factors such as operating efficiency, duration of continuous operation, and more significantly, environmental conditions (ambient temperature for example). If allowed working under optimal operating temperature range and with good ventilation, LED devices enjoy long service lives over conventional light sources. When using/installing LED devices, care should be taken to ensure that the devices will operate within the operating conditions specified in respective product literature.

WWW.TRAXONTECHNOLOGIES.COM

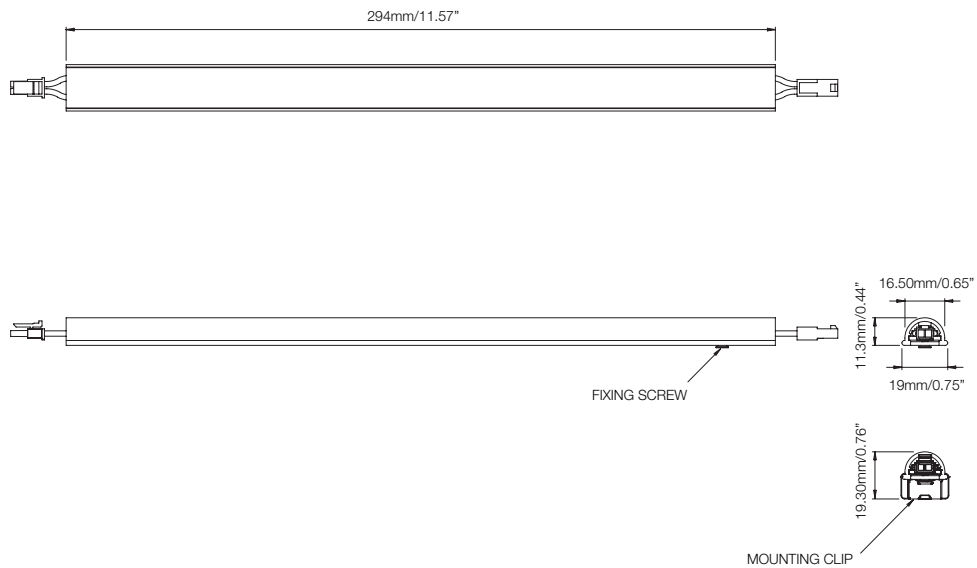
© 2010 TRAXON TECHNOLOGIES ALL RIGHTS RESERVED. TRAXON™, TX CONNECT™, LUXILED™ ARE TRADEMARKS OF TRAXON TECHNOLOGIES. U.S. PATENTS, E.U. PATENTS, JAPAN PATENTS, OTHER PATENTS PENDING. SPECIFICATIONS ARE SUBJECT TO CHANGE WITHOUT NOTICE.

TECHNICAL DRAWING

Monochrome Strip CW/WW

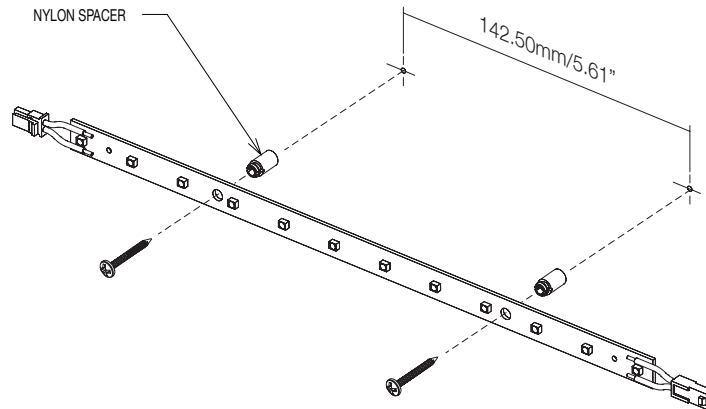


Monochrome Strip CW/WW with optional housing (MB.AC.0400100)



MOUNTING

Monochrome Strip CW/WW

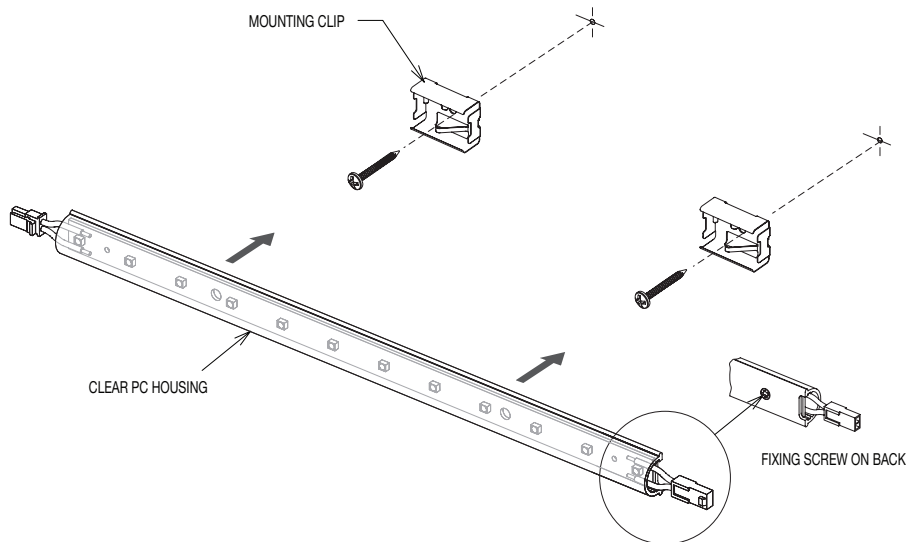


Precautions when mounting the Strip

The Strip is a printed circuit board (PCB) with bare solder contacts on both sides, precautions must be taken when mounting the Strip to ensure the PCB is not short-circuited.

Always unplug the power supply from the mains before connecting any cables.

Monochrome Strip CW/WW with optional housing (MB.AC.0400100)



Mounting Accessories

Included with Strip



Included with Optional Housing

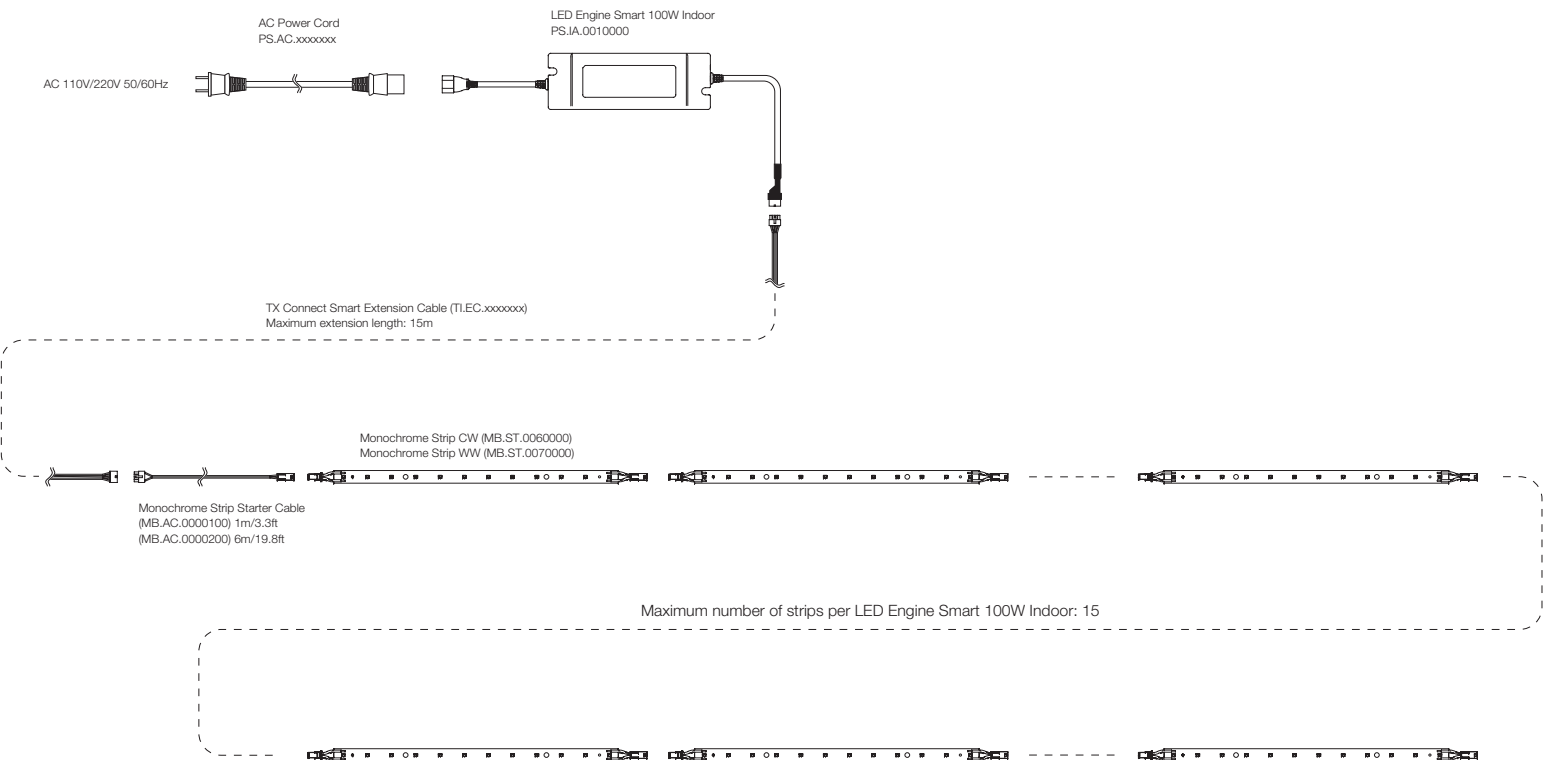




Monochrome Strip CW/WW

System Diagram

SYSTEM DIAGRAM



**STANDARD ACCESSORIES (included in delivery)**

Model No.	Description
MB.AC.0000100	Monochrome Strip Starter Cable, 1m/3.3ft
	1x Strip Mounting Kit (2x Screws, 2x Nylon Spacers)

**OPTIONAL HOUSING**

Model No.	Description
MB.AC.0400100	Monochrome Strip Housing (includes 2x mounting brackets, 2x screws, 1x fixing screw)

**TX CONNECT**

Model No.	Description
MB.AC.0000200	Monochrome Strip Starter Cable, 6m/19.8ft
TI.EC.0050000	TX CONNECT Smart Indoor Extension Cable, 0.5m/1.64ft
TI.EC.0100000	TX CONNECT Smart Indoor Extension Cable, 1m/3.28ft
TI.EC.0300000	TX CONNECT Smart Indoor Extension Cable, 3m/9.84ft
TI.EC.0500000	TX CONNECT Smart Indoor Extension Cable, 5m/16.4ft
TI.EC.1000000	TX CONNECT Smart Indoor Extension Cable, 10m/32.8ft

**TX POWER**

Model No.	Description
PS.IA.0010000	LED Engine Smart 100W Indoor
PS.AC.0000100	AC Power Cord, 2m/6.6ft (EU)
PS.AC.0000200	AC Power Cord, 2m/6.6ft (US)
PS.AC.0000300	AC Power Cord, 2m/6.6ft (UK)
PS.AC.0000400	AC Power Cord, 2m/6.6ft (AU)
PS.AC.0000500	AC Power Cord, 2m/6.6ft (JP)