



PRODUCT FAMILY DATASHEET

LEDVANCE DOWNLIGHT LED SLIM SQUARE

LED downlight luminaires



AREAS OF APPLICATION

- Direct replacement for luminaires with compact fluorescent lamps
- General illumination
- Public areas
- Stairways
- Corridors
- Foyers
- Shops

PRODUCT BENEFITS

- Very slim housing
- Low installation depth
- High luminous efficacy
- Energy savings up to 60 % (compared to luminaires that use CFL lamps)
- Very homogenous light
- Functional design
- Easy installation with fast connection
- Simple installation thanks to integrated driver

PRODUCT FEATURES

- Small visible bezel
- Connector box with push wire terminal for tool-free connection
- Light guide made of non-yellowing PMMA for long lifetime



TECHNICAL DATA

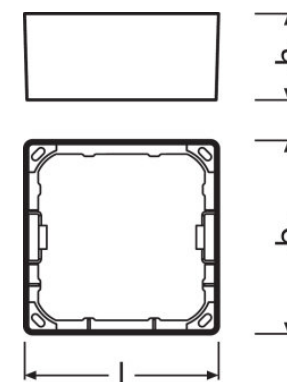
Product description	Electrical data					Photometrical data					Light technical data
	Operating mode	Nominal wattage	Nominal voltage	Mains frequency	Power factor λ	Color temperature	Luminous flux	Light color (designation)	Color rendering index Ra	Standard deviation of color matching	Beam angle
DOWNLIGHT LED SLIM SQUARE 105 6 W 3000 K WT	Electronic control gear (ECG)	6.00 W	220...240 V	50/60 Hz	0.50	3000 K	420 lm	Warm White	>80	<6 sdc	120 °
DOWNLIGHT LED SLIM SQUARE 105 6 W 4000 K WT	Electronic control gear (ECG)	6.00 W	220...240 V	50/60 Hz	0.50	4000 K	430 lm	Cool White	>80	<6 sdc	120 °
DOWNLIGHT LED SLIM SQUARE 105 6 W 6500 K WT	Electronic control gear (ECG)	6.00 W	220...240 V	50/60 Hz	0.50	6500 K	430 lm	Cool Daylight	>80	<6 sdc	120 °
DOWNLIGHT LED SLIM SQUARE 155 12 W 3000 K WT	Electronic control gear (ECG)	12.00 W	220...240 V	50/60 Hz	0.50	3000 K	1020 lm	Warm White	>80	<6 sdc	120 °
DOWNLIGHT LED SLIM SQUARE 155 12 W 4000 K WT	Electronic control gear (ECG)	12.00 W	220...240 V	50/60 Hz	0.50	4000 K	1020 lm	Cool White	>80	<6 sdc	120 °
DOWNLIGHT LED SLIM SQUARE 155 12 W 6500 K WT	Electronic control gear (ECG)	12.00 W	220...240 V	50/60 Hz	0.50	6500 K	1020 lm	Cool Daylight	>80	<6 sdc	120 °
DOWNLIGHT LED SLIM SQUARE 210 18 W 3000 K WT	Electronic control gear (ECG)	18.00 W	220...240 V	50/60 Hz	0.50	3000 K	1530 lm	Warm White	>80	<6 sdc	120 °
DOWNLIGHT LED SLIM SQUARE 210 18 W 4000 K WT	Electronic control gear (ECG)	18.00 W	220...240 V	50/60 Hz	0.50	4000 K	1530 lm	Cool White	>80	<6 sdc	120 °
DOWNLIGHT LED SLIM SQUARE 210 18 W 6500 K WT	Electronic control gear (ECG)	18.00 W	220...240 V	50/60 Hz	0.50	6500 K	1530 lm	Cool Daylight	>80	<6 sdc	120 °
Frame 105 WT											
Frame 155 WT											
Frame 210 WT											

Product description	Dimensions & weight					Colors & materials		Temperatures & operating conditions	Lifespan
	Length	Width	Height	Mounting length	Mounting width	Body material	Product color	Ambient temperature range	Lifespan L70 at 25 °C
DOWNLIGHT LED SLIM SQUARE 105 6 W 3000 K WT	118.0 mm	118.0 mm	30.0 mm	105.0 mm	105.0 mm	Polycarbonate (PC)	White	0...40 °C	30000 h

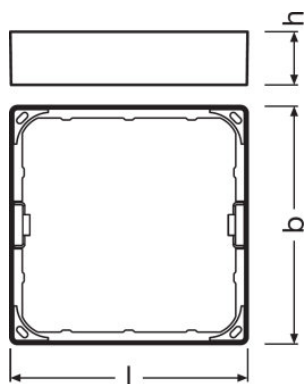
Product description	Dimensions & weight					Colors & materials		Temperatures & operating conditions	Lifespan
	Length	Width	Height	Mounting length	Mounting width	Body material	Product color	Ambient temperature range	Lifespan L70 at 25 °C
DOWNLIGHT LED SLIM SQUARE 105 6 W 4000 K WT	118.0 mm	118.0 mm	30.0 mm	105.0 mm	105.0 mm	Polycarbonate (PC)	White	0...40 °C	30000 h
DOWNLIGHT LED SLIM SQUARE 105 6 W 6500 K WT	118.0 mm	118.0 mm	30.0 mm	105.0 mm	105.0 mm	Polycarbonate (PC)	White	0...40 °C	30000 h
DOWNLIGHT LED SLIM SQUARE 155 12 W 3000 K WT	169.0 mm	169.0 mm	30.0 mm	155.0 mm	155.0 mm	Polycarbonate (PC)	White	0...40 °C	30000 h
DOWNLIGHT LED SLIM SQUARE 155 12 W 4000 K WT	169.0 mm	169.0 mm	30.0 mm	155.0 mm	155.0 mm	Polycarbonate (PC)	White	0...40 °C	30000 h
DOWNLIGHT LED SLIM SQUARE 155 12 W 6500 K WT	169.0 mm	169.0 mm	30.0 mm	155.0 mm	155.0 mm	Polycarbonate (PC)	White	0...40 °C	30000 h
DOWNLIGHT LED SLIM SQUARE 210 18 W 3000 K WT	225.0 mm	225.0 mm	30.0 mm	210.0 mm	210.0 mm	Polycarbonate (PC)	White	0...40 °C	30000 h
DOWNLIGHT LED SLIM SQUARE 210 18 W 4000 K WT	225.0 mm	225.0 mm	30.0 mm	210.0 mm	210.0 mm	Polycarbonate (PC)	White	0...40 °C	30000 h
DOWNLIGHT LED SLIM SQUARE 210 18 W 6500 K WT	225.0 mm	225.0 mm	30.0 mm	210.0 mm	210.0 mm	Polycarbonate (PC)	White	0...40 °C	30000 h
Frame 105 WT	121.0 mm	121.0 mm	54.0 mm				White		
Frame 155 WT	170.0 mm	170.0 mm	38.0 mm				White		
Frame 210 WT	225.0 mm	225.0 mm	38.0 mm				White		

Product description	Number of switching cycles	Capabilities		Certificates & standards			
		Dimmable	Type of connection	Luminous efficacy of lamp in luminaire	Protection class	Type of protection	Protection class IK (shock resistance)
DOWNLIGHT LED SLIM SQUARE 105 6 W 3000 K WT	50000	No	Push button terminal, 2-pole	70 lm/W	II	IP20	IK03
DOWNLIGHT LED SLIM SQUARE 105 6 W 4000 K WT	50000	No	Push button terminal, 2-pole	70 lm/W	II	IP20	IK03
DOWNLIGHT LED SLIM SQUARE 105 6 W 6500 K WT	50000	No	Push button terminal, 2-pole	70 lm/W	II	IP20	IK03
DOWNLIGHT LED SLIM SQUARE 155 12 W 3000 K WT	50000	No	Push button terminal, 2-pole	85 lm/W	II	IP20	IK03

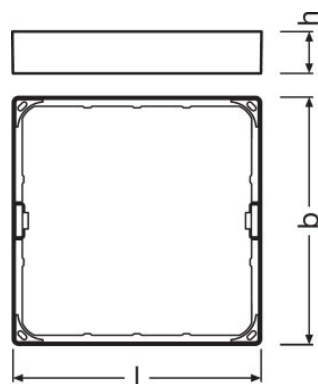
Product description	Number of switching cycles	Capabilities		Certificates & standards			
		Dimmable	Type of connection	Luminous efficacy of lamp in luminaire	Protection class	Type of protection	Protection class IK (shock resistance)
DOWNLIGHT LED SLIM SQUARE 155 12 W 4000 K WT	50000	No	Push button terminal, 2-pole	85 lm/W	II	IP20	IK03
DOWNLIGHT LED SLIM SQUARE 155 12 W 6500 K WT	50000	No	Push button terminal, 2-pole	85 lm/W	II	IP20	IK03
DOWNLIGHT LED SLIM SQUARE 210 18 W 3000 K WT	50000	No	Push button terminal, 2-pole	85 lm/W	II	IP20	IK03
DOWNLIGHT LED SLIM SQUARE 210 18 W 4000 K WT	50000	No	Push button terminal, 2-pole	85 lm/W	II	IP20	IK03
DOWNLIGHT LED SLIM SQUARE 210 18 W 6500 K WT	50000	No	Push button terminal, 2-pole	85 lm/W	II	IP20	IK03
Frame 105 WT							
Frame 155 WT							
Frame 210 WT							



Frame 105 WT



Frame 155 WT



Frame 210 WT

EQUIPMENT / ACCESSORIES

- Surface mounting frames available as accessories

APPLICATION ADVICE

For more detailed application information and graphics please see product datasheet.

LOGISTICAL DATA

Product code	Product description	Packaging unit (Pieces/Unit)	Dimensions (length x width x height)	Volume	Gross weight
4058075052468	DOWNLIGHT LED SLIM SQUARE 105 6 W 3000 K WT	Shipping carton box 6	290 mm x 165 mm x 165 mm	7.90 dm ³	1401.00 g
4058075052482	DOWNLIGHT LED SLIM SQUARE 105 6 W 4000 K WT	Shipping carton box 6	290 mm x 165 mm x 165 mm	7.90 dm ³	1401.00 g
4058075052505	DOWNLIGHT LED SLIM SQUARE 105 6 W 6500 K WT	Shipping carton box 6	290 mm x 165 mm x 165 mm	7.90 dm ³	1564.00 g

Product code	Product description	Packaging unit (Pieces/Unit)	Dimensions (length x width x height)	Volume	Gross weight
4058075052529	DOWNLIGHT LED SLIM SQUARE 155 12 W 3000 K WT	Shipping carton box 6	290 mm x 205 mm x 195 mm	11.59 dm ³	2552.00 g
4058075052543	DOWNLIGHT LED SLIM SQUARE 155 12 W 4000 K WT	Shipping carton box 6	290 mm x 205 mm x 195 mm	11.59 dm ³	2536.00 g
4058075052567	DOWNLIGHT LED SLIM SQUARE 155 12 W 6500 K WT	Shipping carton box 6	290 mm x 205 mm x 195 mm	11.59 dm ³	2520.00 g
4058075052581	DOWNLIGHT LED SLIM SQUARE 210 18 W 3000 K WT	Shipping carton box 6	290 mm x 270 mm x 250 mm	19.58 dm ³	3991.00 g
4058075052604	DOWNLIGHT LED SLIM SQUARE 210 18 W 4000 K WT	Shipping carton box 6	290 mm x 270 mm x 250 mm	19.58 dm ³	3991.00 g
4058075052628	DOWNLIGHT LED SLIM SQUARE 210 18 W 6500 K WT	Shipping carton box 6	290 mm x 270 mm x 250 mm	19.58 dm ³	3995.00 g
4058075052642	Frame 105 WT	Shipping carton box 6	380 mm x 140 mm x 150 mm	7.98 dm ³	1089.00 g
4058075052666	Frame 155 WT	Shipping carton box 6	280 mm x 190 mm x 200 mm	10.64 dm ³	1210.00 g
4058075052680	Frame 210 WT	Shipping carton box 6	280 mm x 245 mm x 255 mm	17.49 dm ³	1726.00 g

The mentioned product code describes the smallest quantity unit which can be ordered. One shipping unit can contain one or more single products. When placing an order, for the quantity please enter single or multiples of a shipping unit.

REFERENCES / LINKS

For Guarantee see

▶ www.ledvance.com/guarantee

DISCLAIMER

Subject to change without notice. Errors and omission excepted. Always make sure to use the most recent release.