



1PXL Strip CW/WW/DW

1PXL Strip CW/WW/DW offers crisp shades of cold/warm/dynamic white. Its slim profile and plug 'n' play TX Connect™ system ensure high design flexibility. With Auto-Addressing ON/OFF function, this PCB strip maximizes the number of products that can be controlled within a DMX universe.



Product Specifications

Model	1PXL Strip CW	1PXL Strip WW	1PXL Strip DW
Light Source	12 Cold White LEDs	12 Warm White LEDs	12 Cold White LEDs + 12 Warm White LEDs (Total 24 LEDs)
Color Temperature	6500K	2700K	2700K - 6500K
Beam Angle	120°		
Luminous Flux	164.9 lm	92 lm	254.1 lm
Efficacy	41.7 lm/W	26.7 lm/W	35.5 lm/W
Cover Lens	N/A		
LED Pitch	24.5mm / 0.96"		
Housing	N/A		
Adjustment Options	N/A		
Dimensions (L x W x H)	288 x 27 x 11.5mm 11.34" x 1.06" x 0.45"		
Weight	50g / 0.11lbs		
Regulatory Listing & Safety Approval	CE, FCC		
Operating Temperature	0°C to +40°C / 32°F to +104°F		
Storage Temperature	-20°C to +70°C / -4°F to +158°F		
Environment	Indoor		
Humidity	0-90%, non-condensing		

Electrical Specifications

Input Voltage	24V DC		
Power Consumption	5W max.	5W max.	10W max.

System Specifications

Power / Data Interface	TX Connect Smart
Control	DMX512, 3 channels per pixel
Power Supply	LED Engine Smart 100W Indoor
Addressing Options	Auto Addressing ON/OFF

LED CHARACTERISTICS Because LEDs are semiconductor devices, their performances are subject to inherent variability commonly found in semiconductor industry. To improve consistency in performance across the same product, LED manufacturers "sort" LEDs into bins according to different preset parameters, such as forward driving voltage, illumination, etc. Whereas binning is a sorting function, it is not a correction process. Inherent variability in the manufacturing process results always in different binning distributions according to different production lots. Traxon uses automatically binned LEDs on its products, thereby minimizing output variations within the model range.

As with all electronic devices, LED output degrades over time – a term called lumen depreciation. This also explains why it is nearly impossible to expect photometric performances of two LED products with different service life spans to be the same. The rate of LED degrade is a complicate function of many factors such as operating efficiency, duration of continuous operation, and more significantly, environmental conditions (ambient temperature for example). If allowed working under optimal operating temperature range and with good ventilation, LED devices enjoy long service lives over conventional light sources. When using/installing LED devices, care should be taken to ensure that the devices will operate within the operating conditions specified in respective product literature.

Lumen measurement complies with LM-79-08 standard.
 Lumen maintenance is calculated based on LM-80 compliant measurement.

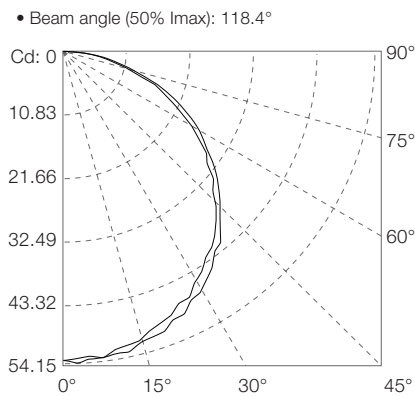
www.traxontechnologies.com

©2015 TRAXON TECHNOLOGIES - AN OSRAM BUSINESS. ALL RIGHTS RESERVED. TRAXON™, TX CONNECT®, ARE TRADEMARKS OF TRAXON TECHNOLOGIES. U.S. PATENTS, E.U. PATENTS, JAPAN PATENTS, OTHER PATENTS PENDING. SPECIFICATIONS ARE SUBJECT TO CHANGE WITHOUT NOTICE.

Source Specifications

Source	12 Cold white LEDs
Optics	120°
Cover Lens	N/A
CCT	6500K - Cold white
CRI	80.8

Candela Distribution



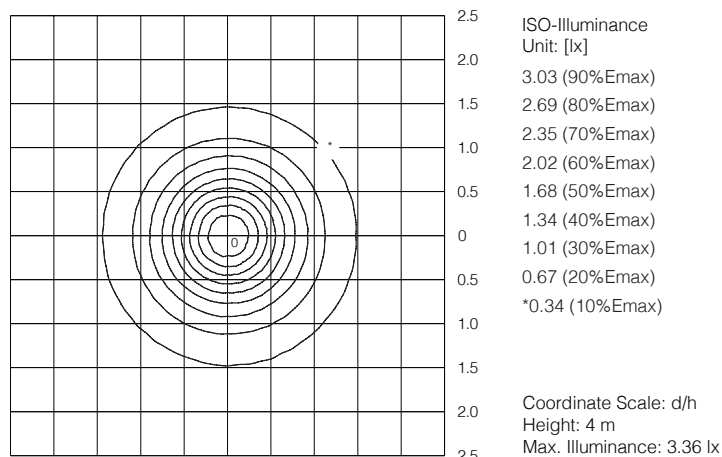
Light Output

Color	Luminous Flux (lumens)	Power (Watts)	Efficacy (lm/W)
White	164.92	3.96	41.65

Illuminance

Distance	10cm/3.9"	25cm/9.8"	50cm/19.7"	72cm/29.5"	100cm/39.4"
Lux	5346	855	214	95	53
50% I _{max} (diameter)	34cm/13.2"	84cm/33.0"	168cm/66.0"	252cm/99.0"	336cm/132.1"

Illuminance at a Distance



Photometric measurements are carried out by an independent laboratory. IES and LDT files are available for download from the Traxon website.

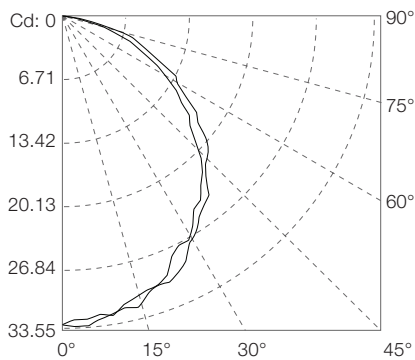
Source Specifications

Source	12 Warm white LEDs
Optics	120°
Cover Lens	N/A
CCT	2700K - Warm white
CRI	71.6

Candela Distribution

Light Output

- Beam angle (50% I_{max}): 118.4°

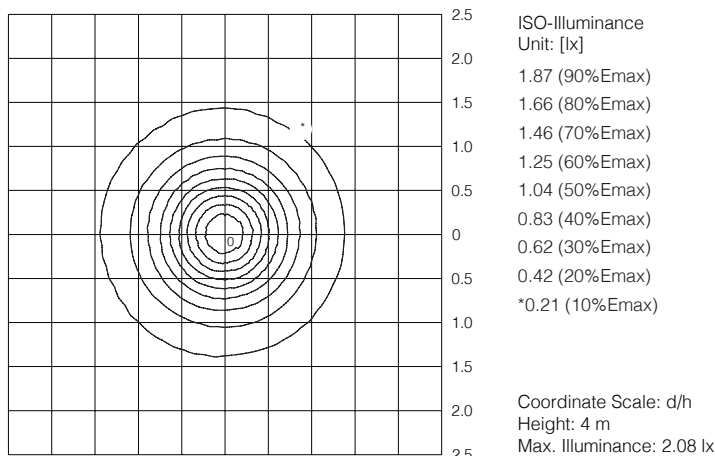


Color	Luminous Flux (lumens)	Power (Watts)	Efficacy (lm/W)
White	92.01	3.45	26.67

Illuminance

Distance	10cm/3.9"	25cm/9.8"	50cm/19.7"	72cm/29.5"	100cm/39.4"
Lux	3506	561	140	62	35
50% I _{max} (diameter)	29cm/11.6"	73cm/28.9"	147cm/57.8"	220cm/86.7"	294cm/115.7"

Illuminance at a Distance



Photometric measurements are carried out by an independent laboratory. IES and LDT files are available for download from the Traxon website.

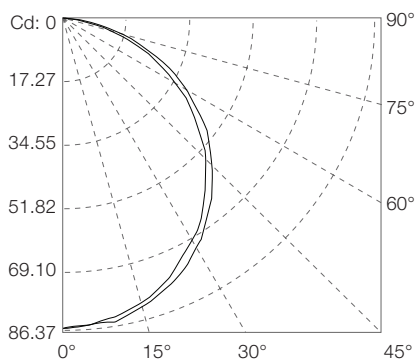
Source Specifications

Source	24 LEDs Dynamic white (12 WW, 12 CW)
Optics	120°
Cover Lens	N/A
CCT	2700K - 6500K - Dynamic white
CRI	77.8

Candela Distribution

Light Output

- Beam angle (50% I_{max}): 113.2°

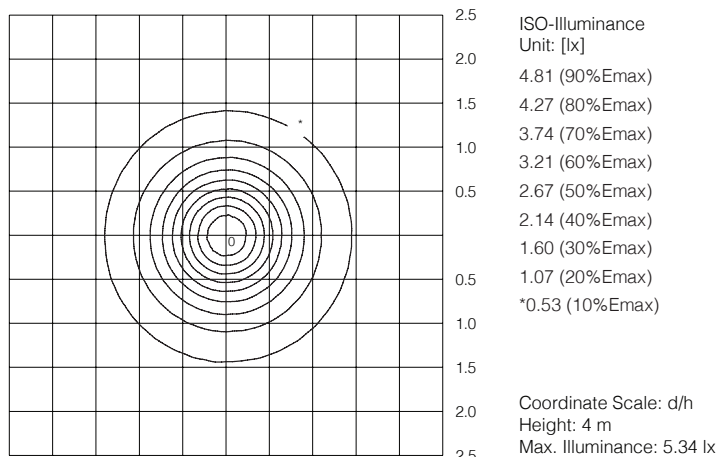


Color	Luminous Flux (lumens)	Power (Watts)	Efficacy (Lm/W)
White	254.08	7.15	35.54

Illuminance

Distance	10cm/3.9"	25cm/9.8"	50cm/19.7"	72cm/29.5"	100cm/39.4"
Lux	8549	1368	342	152	85
50% I _{max} (diameter)	30cm/11.9"	76cm/29.9"	152cm/59.7"	227cm/89.56"	303cm/119.4"

Illuminance at a Distance

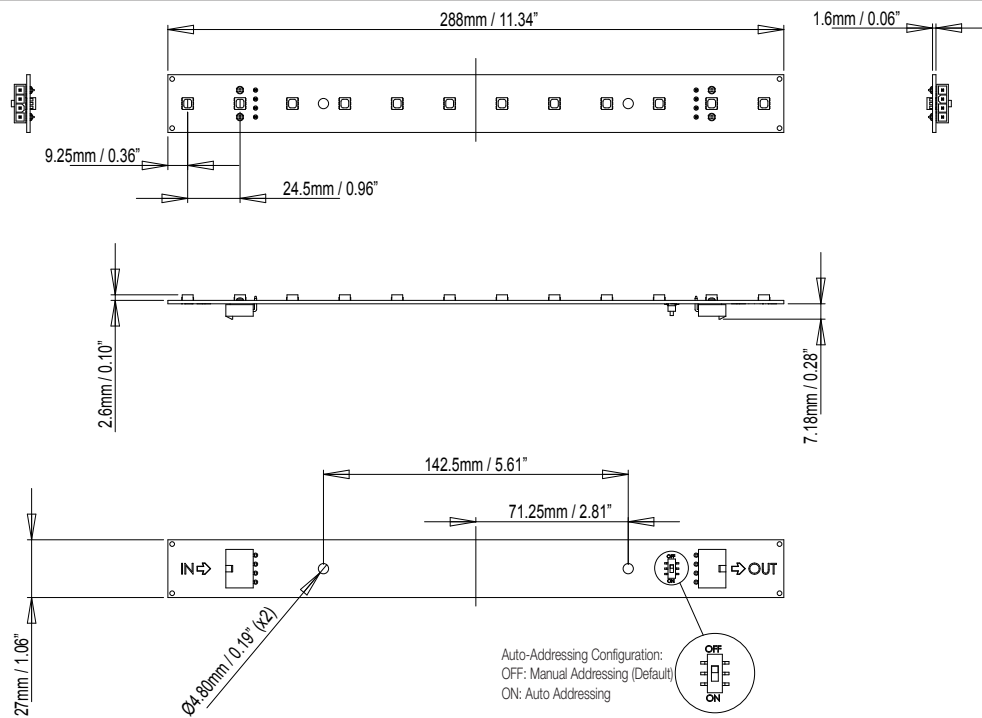


Photometric measurements are carried out by an independent laboratory. IES and LDT files are available for download from the Traxon website.

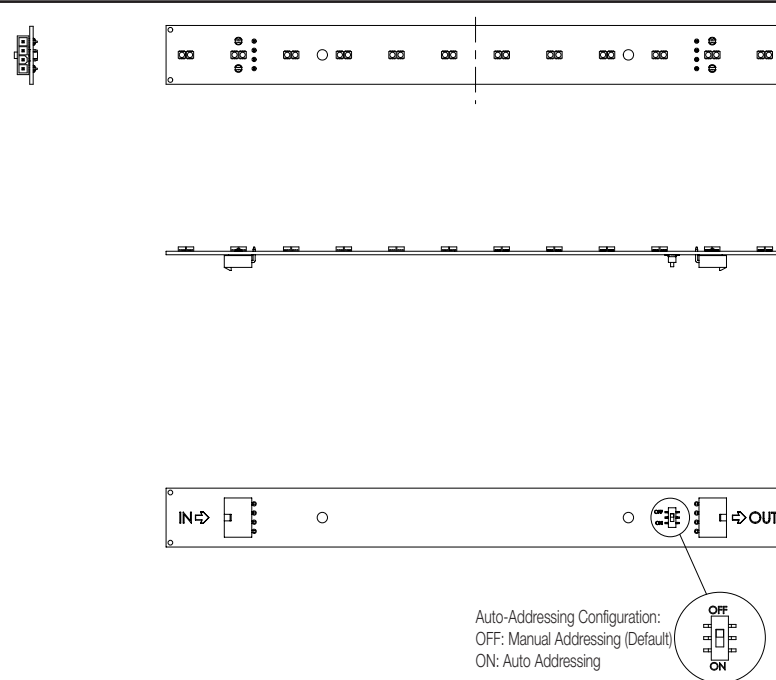
1PXL Strip CW/WW/DW

Dimensions

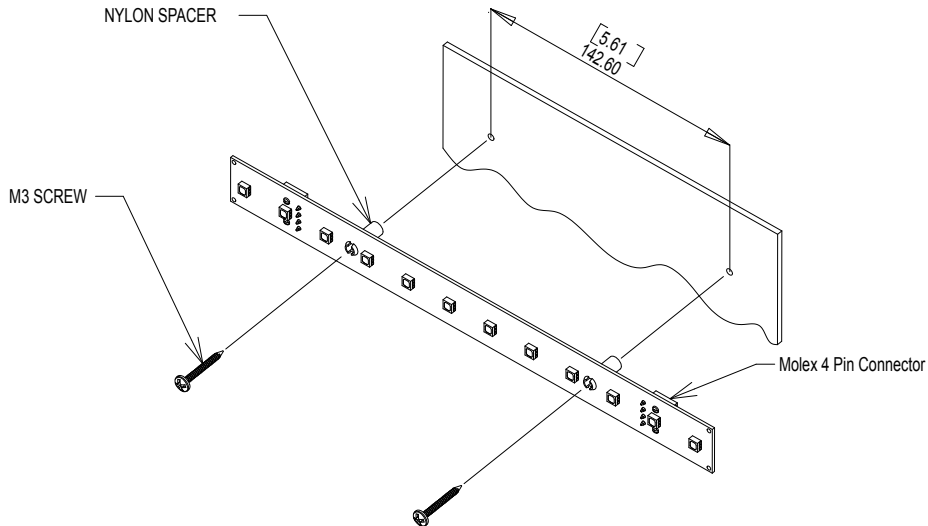
1PXL Strip CW/WW



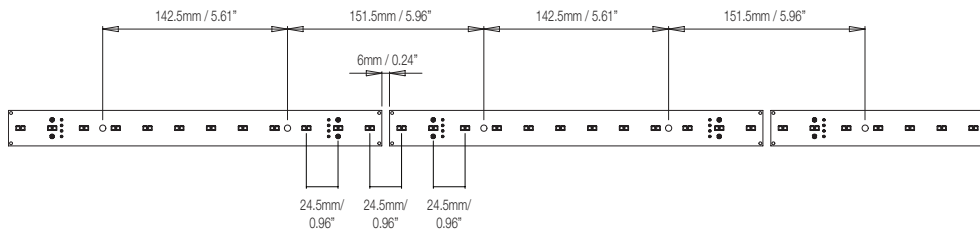
1PXL Strip DW



Basic Mounting



Multiple Strips Mounting

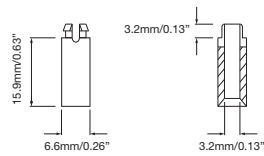


Precautions when mounting the Strip

The Strip is a printed circuit board (PCB) with bare solder contacts on both sides, precautions must be taken when mounting the Strip to ensure the PCB is not short-circuited.

Always unplug the power supply from the mains before connecting any cables.

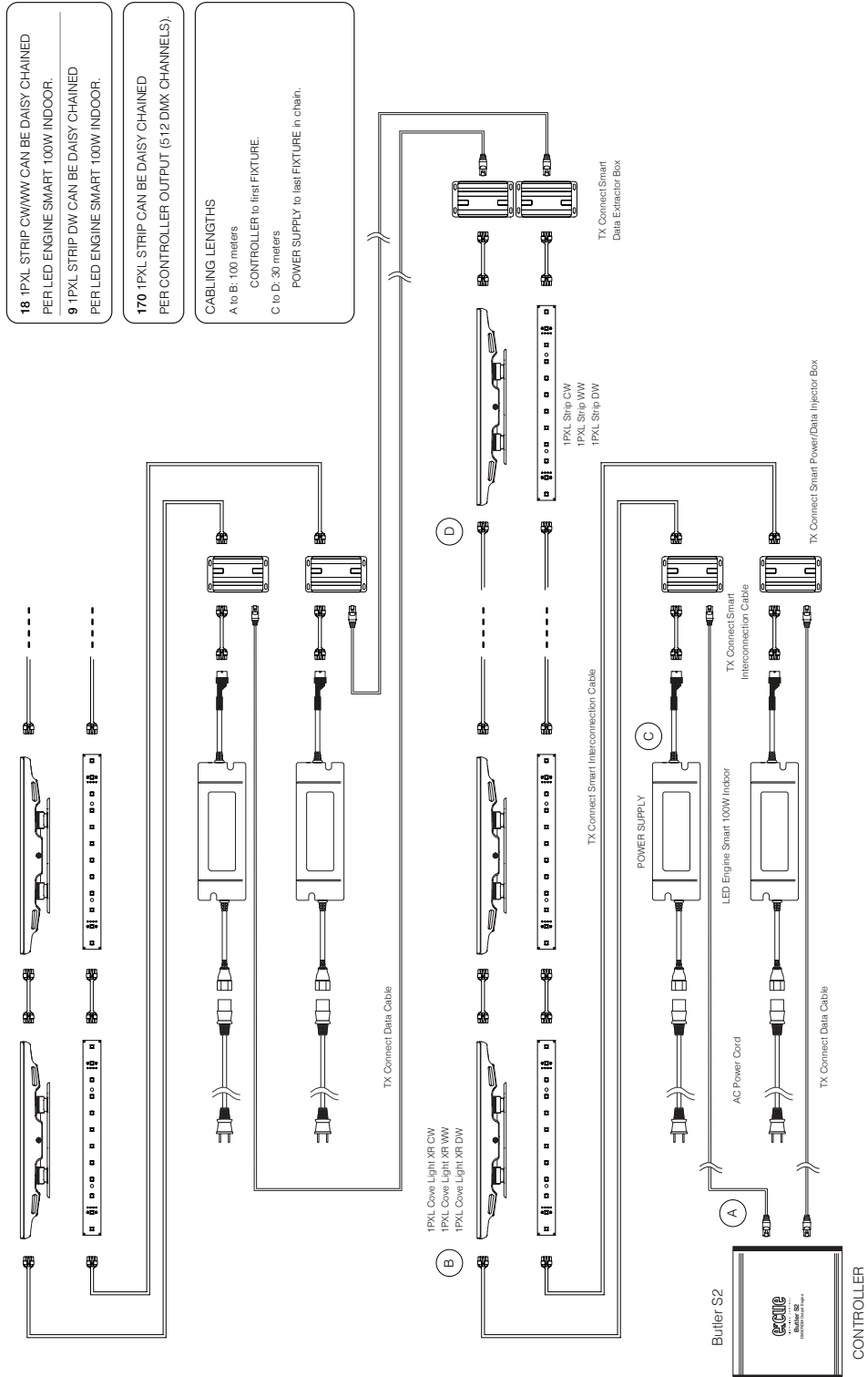
Mounting Accessories



Nylon Spacer Dimensions

1PXL Strip CW/WW/DW

System Diagram





1PXL Strip CW/WW/DW

Ordering

Fixtures

Model No.	Description	Item Code
MB.ST.5060003	1PXL Strip CW	AA558680055
MB.ST.5070003	1PXL Strip WW	AA558700055
MB.ST.5080003	1PXL Strip DW	AA558710055

Standard Accessories (included in delivery)

Model No.	Description	Item Code
TI.IC.0004000	TX CONNECT Smart Indoor Interconnection Cable, 4cm/1.57"	AA438900055
N/A	1x Strip RGB Mounting Kit (2x Screws, 2x Nylon Spacers)	N/A

TX Control

Model No.	Description	Item Code
EN.BU.0000001	Butler S2	AA624080072

TX Connect

Model No.	Description	Item Code
TI.ZI.0000100	TX CONNECT Smart Power/Data Injector Box	A704836003J
TI.DO.0000100	TX CONNECT Smart Data Extractor Box	A704842003J
TI.EC.0050000	TX CONNECT Smart Indoor Extension Cable, 0.5m/1.64ft	AA556350055
TI.EC.0100000	TX CONNECT Smart Indoor Extension Cable, 1m/3.28ft	A6342330055
TI.EC.0300000	TX CONNECT Smart Indoor Extension Cable, 3m/9.84ft	A6342410055
TI.EC.0500000	TX CONNECT Smart Indoor Extension Cable, 5m/16.4ft	AA580410055
TI.EC.1000000	TX CONNECT Smart Indoor Extension Cable, 10m/32.8ft	A6342680055
DI.IC.0100000	TX CONNECT Data Cable, 1m/3.28ft	AA556130055

TX Power

Model No.	Description	Item Code
PS.IA.0010000	LED Engine Smart 100W Indoor	AA624090055
PS.AC.0000100	AC Power Cord, 2m/6.6ft (EU)	AA553860055
PS.AC.0000300	AC Power Cord, 2m/6.6ft (UK)	AA556300155
PS.AC.0000400	AC Power Cord, 2m/6.6ft (AU)	AA556310055



©2015 TRAXON TECHNOLOGIES - AN OSRAM BUSINESS. ALL RIGHTS RESERVED. TRAXON™, TX CONNECT®, ARE TRADEMARKS OF TRAXON TECHNOLOGIES. U.S. PATENTS, E.U. PATENTS, JAPAN PATENTS, OTHER PATENTS PENDING. SPECIFICATIONS ARE SUBJECT TO CHANGE WITHOUT NOTICE.