

LED STAR PAR16

LED reflector lamps PAR16 with retrofit pin base



Areas of application

- Spotighting for accents
- Domestic applications
- Spotighting heat-sensitive objects such as food, plants, etc.
- Outdoor applications only in suitable luminaires
- Directional light sources
- As a downlight for marking walkways, doors, stairs, etc.
- Atmospheric accent lighting throughout the home

Product benefits

- Ideal for economical spotighting
- Alternative to line-voltage halogen lamps
- Very low energy consumption
- Extremely long life
- No UV and near-IR radiation in the light beam
- Shockproof and vibration-proof thanks to LED technology
- Efficient generation of white light
- Professional thermal management

Product features

- LED lamps for line voltage
- Not dimmable
- Made in Europe
- Base: GU10
- Mercury-free lamps
- Lifetime: up to 25,000 h



Product family datasheet

Technical data

| Product description | Electrical data | | | | Photometrical data | | | | | Light technical data |
|--|-----------------|-----------------|--|---------------------|--------------------|-----------------------|-------------------|--------------------------|---------------------------|----------------------|
| | Nominal wattage | Nominal voltage | Claimed equiv. conventional lamp power | Rated luminous flux | Luminous intensity | Nominal luminous flux | Color temperature | Color rendering index Ra | Light color (designation) | Beam angle |
| LED STAR PAR16 20 36° 1.6 W/827 GU10 ¹⁾ | 1.60 W | 220...240 V | 20 W | 110 lm | 350 cd | 110 lm | 2700 K | 80 | Warm White | 24 ° |
| LED STAR PAR16 35 36° 3.9 W/840 GU10 ¹⁾ | 3.90 W | 220...240 V | 35 W | 230 lm | 565 cd | 230 lm | 4000 K | 80 | Cool White | 36 ° |
| LED STAR PAR16 35 36° 3.9 W/827 GU10 ¹⁾ | 3.90 W | 220...240 V | 35 W | 230 lm | 565 cd | 230 lm | 2700 K | 80 | Warm White | 36 ° |
| LED STAR PAR16 120° 4 W/827 GU10 ¹⁾ | 4.00 W | 220...240 V | 35 W | 270 lm | | 270 lm | 2700 K | | Warm White | 120 ° |
| LED STAR PAR16 120° 6.5 W/827 GU10 ¹⁾ | 6.50 W | 220...240 V | 35 W | 450 lm | | 450 lm | 2700 K | | Warm White | 120 ° |
| LED STAR PAR16 35 35° 4 W/827 GU10 ¹⁾ | 4.00 W | 220...240 V | 35 W | 230 lm | | 230 lm | 2700 K | 80 | | 35 ° |
| LED STAR PAR16 50 36° 5.5 W/840 GU10 ¹⁾ | 5.50 W | 220...240 V | 50 W | 350 lm | 850 cd | 350 lm | 4000 K | | Cool White | 36 ° |
| LED STAR PAR16 50 36° 5,5 W/827 ¹⁾ | 5.50 W | 220...240 V | 50 W | 350 lm | 850 cd | 350 lm | 2700 K | 80 | Warm White | 36 ° |

| Product description | Warm-up time (60 %) | Dimensions & weight | | Lifespan | | | Additional product data | | | Capabilities |
|--|---------------------|---------------------|----------|------------------------|----------------------------|--|-----------------------------|----------------------|--------------|--------------|
| | | Overall length | Diameter | Nominal lamp life time | Number of switching cycles | Lumen main. fact. at end of nom. life time | Base (standard designation) | Lamp mercury content | Mercury-free | Dimmable |
| LED STAR PAR16 20 36° 1.6 W/827 GU10 ¹⁾ | < 0.50 s | 58.0 mm | 50.0 mm | 15000 h | 100000 | 0.70 | GU10 | 0.0 mg | Yes | No |
| LED STAR PAR16 35 36° 3.9 W/840 GU10 ¹⁾ | 0.20 s | 58.0 mm | 50.0 mm | 15000 h | 100000 | 0.70 | GU10 | 0.0 mg | Yes | No |

Product family datasheet

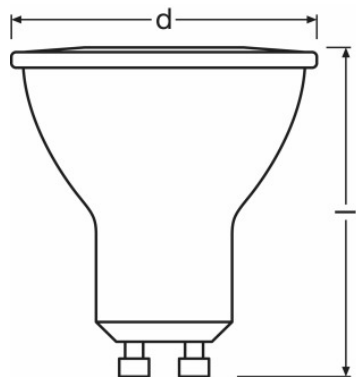
| Product description | Warm-up time (60 %) | Dimensions & weight | | Lifespan | | | Additional product data | | | Capabilities |
|--|---------------------|---------------------|----------|------------------------|----------------------------|--|-----------------------------|----------------------|--------------|--------------|
| | | Overall length | Diameter | Nominal lamp life time | Number of switching cycles | Lumen main. fact. at end of nom. life time | Base (standard designation) | Lamp mercury content | Mercury-free | Dimmable |
| LED STAR PAR16 35 36° 3.9 W/827 GU10 ¹⁾ | < 0.50 s | 58.0 mm | 50.0 mm | 15000 h | 100000 | 0.70 | GU10 | 0.0 mg | Yes | No |
| LED STAR PAR16 120° 4 W/827 GU10 ¹⁾ | 1.00 s | 58.0 mm | 50.0 mm | 25000 h | 100000 | 0.70 | GU10 | 0.0 mg | Yes | No |
| LED STAR PAR16 120° 6.5 W/827 GU10 ¹⁾ | ≤ 1.00 s | 58.0 mm | 50.0 mm | 25000 h | 100000 | | GU10 | | Yes | No |
| LED STAR PAR16 35 35° 4 W/827 GU10 ¹⁾ | 0.20 s | 58.0 mm | 50.0 mm | 15000 h | 100000 | 0.70 | GU10 | 0.0 mg | Yes | No |
| LED STAR PAR16 50 36° 5.5 W/840 GU10 ¹⁾ | 0.20 s | 58.0 mm | 50.0 mm | 15000 h | 100000 | 0.70 | GU10 | 0.0 mg | Yes | No |
| LED STAR PAR16 50 36° 5,5 W/827 ¹⁾ | < 0.50 s | 58.0 mm | 50.0 mm | 15000 h | 100000 | 0.70 | GU10 | 0.0 mg | Yes | No |

| Product description | Certificates & standards | Country specific categorizations |
|--|--------------------------|----------------------------------|
| | Energy efficiency class | ILCOS |
| LED STAR PAR16 20 36° 1.6 W/827 GU10 ¹⁾ | A+ | DRPAR-2,5-100-240-GU10-50/36 |
| LED STAR PAR16 35 36° 3.9 W/840 GU10 ¹⁾ | A+ | DRPAR-3,9/840-220/240-GU10-50/36 |
| LED STAR PAR16 35 36° 3.9 W/827 GU10 ¹⁾ | A+ | DRPAR-4,5-100-240-GU10-50/36 |
| LED STAR PAR16 120° 4 W/827 GU10 ¹⁾ | A+ | DRPAR-4-220-240-GU10-50/120 |
| LED STAR PAR16 120° 6.5 W/827 GU10 ¹⁾ | A | DRPAR-6,5-220-240-GU10-50/120 |
| LED STAR PAR16 35 35° 4 W/827 GU10 ¹⁾ | A+ | |

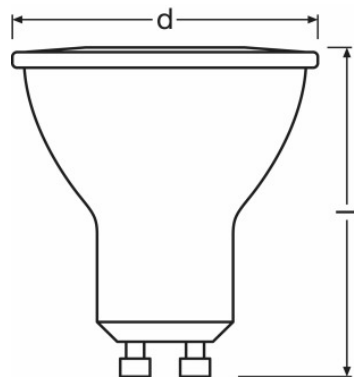
Product family datasheet

| | Certificates & standards | Country specific categorizations |
|--|--------------------------------|----------------------------------|
| Product description | Energy efficiency class | ILCOS |
| LED STAR PAR16 50 36° 5.5 W/840 GU10 ¹⁾ | A+ | |
| LED STAR PAR16 50 36° 5,5 W/827 ¹⁾ | A+ | DRPAR-7-100-240-GU10-50/36 |

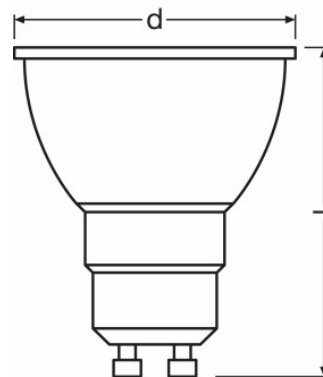
¹⁾ All technical parameters apply to the entire lamp/Due to the complex production process for light-emitting diodes, the typical values shown for the technical LED parameters are purely statistical values that do not necessarily match the actual technical parameters of each individual product, which can vary from the typical value



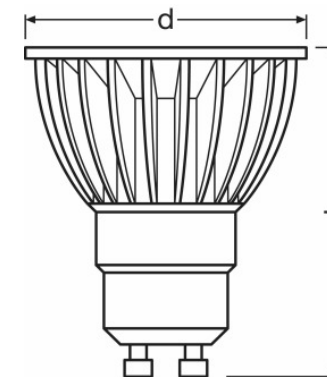
LED STAR PAR16 20 36° 1.6 W/827 GU10



LED STAR PAR16 35 36° 3.9 W/840 GU10, LED STAR PAR16 35 36° 3.9 W/827 GU10

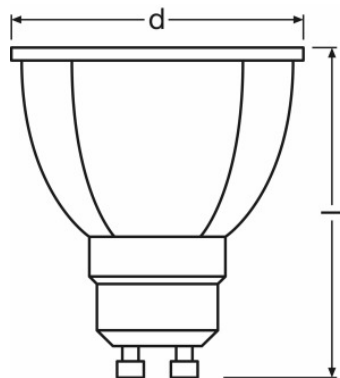


LED STAR PAR16 120° 4 W/827 GU10

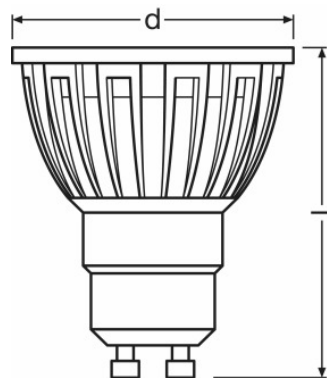


LED STAR PAR16 120° 6.5 W/827 GU10

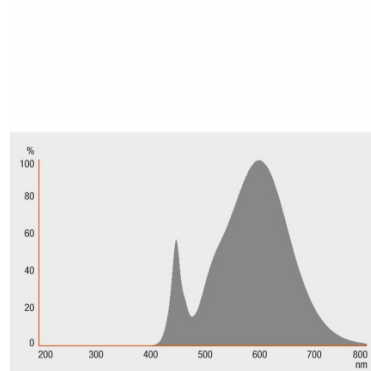
Product family datasheet



LED STAR PAR16 35 35° 4 W/827
GU10



LED STAR PAR16 50 36° 5,5 W/827



LED STAR PAR16 20 36° 1.6 W/827
GU10, LED STAR PAR16 35 36° 3.9
W/827 GU10, LED STAR PAR16 50 36°
5,5 W/827

Application advice

For more detailed application information and graphics please see product datasheet.

Logistical Data

| Product code | Product description | Packaging unit (Pieces/Unit) | Dimensions (length x width x height) | Volume | Gross weight |
|---------------|---|------------------------------|--------------------------------------|----------------------|--------------|
| 4052899910331 | LED STAR PAR16 20 36° 1.6 W/827 GU10 | Shipping carton box 6 | 319 mm x 154 mm x 134 mm | 6.58 dm ³ | 463.00 g |

Product family datasheet

| Product code | Product description | Packaging unit (Pieces/Unit) | Dimensions (length x width x height) | Volume | Gross weight |
|---------------|--------------------------------------|------------------------------|--------------------------------------|----------------------|--------------|
| 4052899928954 | LED STAR PAR16 35 36° 3.9 W/840 GU10 | Shipping carton box 6 | 322 mm x 154 mm x 135 mm | 6.69 dm ³ | 448.00 g |
| 4052899910348 | LED STAR PAR16 35 36° 3.9 W/827 GU10 | Shipping carton box 6 | 319 mm x 154 mm x 134 mm | 6.58 dm ³ | 638.00 g |
| 4052899921924 | LED STAR PAR16 120° 4 W/827 GU10 | Shipping carton box 6 | 319 mm x 154 mm x 134 mm | 6.58 dm ³ | 562.00 g |
| 4052899921931 | LED STAR PAR16 120° 6.5 W/827 GU10 | Shipping carton box 6 | 319 mm x 154 mm x 134 mm | 6.58 dm ³ | 562.00 g |
| 4052899199583 | LED STAR PAR16 35 35° 4 W/827 GU10 | Shipping carton box 12 | 267 mm x 111 mm x 77 mm | 2.28 dm ³ | 966.00 g |
| 4052899928961 | LED STAR PAR16 50 36° 5.5 W/840 GU10 | Shipping carton box 6 | 322 mm x 154 mm x 135 mm | 6.69 dm ³ | 448.00 g |
| 4052899910355 | LED STAR PAR16 50 36° 5,5 W/827 | Shipping carton box 6 | 319 mm x 154 mm x 134 mm | 6.58 dm ³ | 711.00 g |

The mentioned product code describes the smallest quantity unit which can be ordered. One shipping unit can contain one or more single products. When placing an order, for the quantity please enter single or multiples of a shipping unit.

References / Links

For further products and actual information concerning LED lamps see

- ▶ www.osram.com/ledlamps

For Guarantee see

- ▶ www.osram.com/guarantee

Product family datasheet

Disclaimer

Subject to change without notice. Errors and omission excepted. Always make sure to use the most recent release.