
EASY IR CI | User interfaces for light management systems



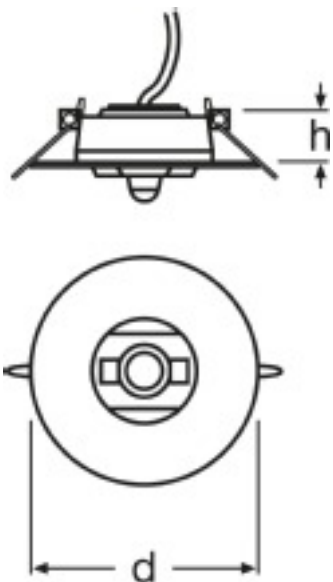
Product features

- Infrared receiver for connection to EASY controllers
- Connection cable length: 2.1 m (permanently connected)
- Connection via four-pole screw terminal or modular 4p4c-connector
- Surface mounting with SENSOR KIT

Technical data

Dimensions & weight

Length	50.0 mm
Diameter	50.0 mm
Height	21.0 mm
Width	50.0 mm



Product line drawing with letters

Temperatures

Ambient temperature range	0...+50 °C
---------------------------	------------

Capabilities

Dimming interface	EASY
Type of installation	Ceiling integration/On-top ceiling mounting

Certificates & standards

Type of protection	IP20
--------------------	------

Logistical Data

Product code	Packaging unit (Pieces/Unit)	Dimensions (height x width x length)	Gross weight	Volume
4008321915573	Folding carton box 1	91 mm x 37 mm x 170 mm	103.00 g	0.57 dm ³
4008321915580	Shipping carton box 10	211 mm x 186 mm x 221 mm	931.75 g	8.67 dm ³

Disclaimer

Subject to change without notice. Errors and omission excepted. Always make sure to use the most recent release.