



Dot XL-3 CW/WW

Dot XL-3 CW/WW is an extra bright dot with 3 high performance LEDs per dot. The dots are constructed on a flexible cable with a customizable pitch containing up to 88 dots. The dots are single dot controllable by DMX or e:pix (DVI capable), and are connected per string using the Dot XL Pixel Distributor. The Pixel Distributors can be daisy chained to form large installations.



Product Specifications

Model ¹	Dot XL-3 CW	Dot XL-3 CW with diffuser dome	Dot XL-3 WW	Dot XL-3 WW with diffuser dome
Color Temperature	6500 K - Cold White		2700 K - Warm White	
Luminous Flux¹	47.19 lm	31.15 lm	35.85 lm	23.66 lm
Efficacy¹	31.5 lm/W	20.8 lm/W	23.9 lm/W	15.8 lm/W
Beam Angle	110°	170°	110°	170°
Cover Lens	Clear PVC	PC diffuser dome	Clear PVC	PC diffuser dome
LED Pitch	Manufacture to order; dot-to-dot pitch: 100mm minimum			
Lead Cable Length	10m standard			
Housing	Thermoplastic Polyurethane Elastomer (optional nylon clip)			
Adjustment Options	Flexible cable			
Dimensions (Ø x L x H)	Ø36 x 60 x 12mm Ø1.4" x 2.4" x 0.5"	Ø36 x 60 x 27mm Ø1.4" x 2.4" x 1.1"	Ø36 x 60 x 12mm Ø1.4" x 2.4" x 0.5"	Ø36 x 60 x 27mm Ø1.4" x 2.4" x 1.1"
Weight	25g (Dot); 670g (Pixel Distributor)			
Regulatory Listing & Safety Approval	CE, cETLus			
Operating Temperature	-20°C to +50°C / -4°F to +122°F			
Storage Temperature	-20°C to +70°C / -40°F to +158°F			
Environment	Outdoor (Strings - IP67 rated; Pixel Distributor - IP66 rated; PSU - IP67 rated)			
Humidity	0 to 90%, non-condensing			

Electrical Specifications

Operating Voltage	15V DC
Power Consumption¹	1.5W

System Specifications

Power/Data Interface	TX CONNECT
Control	DMX512 / e:pix
Power Supply	LED Engine 150W 15V Outdoor
Addressing Options	Auto-Addressing

1. Measurement per dot.

LED CHARACTERISTICS Because LEDs are semiconductor devices, their performances are subject to inherent variability commonly found in semiconductor industry. To improve consistency in performance across the same product, LED manufacturers "sort" LEDs into bins according to different preset parameters, such as forward driving voltage, illumination, etc. Whereas binning is a sorting function, it is not a correction process. Inherent variability in the manufacturing process results always in different binning distributions according to different production lots. Traxon uses automatically binned LEDs on its products, thereby minimizing output variations within the model range.

As with all electronic devices, LED output degrades over time – a term called lumen depreciation. This also explains why it is nearly impossible to expect photometric performances of two LED products with different service life spans to be the same. The rate of LED degrade is a complicate function of many factors such as operating efficiency, duration of continuous operation, and more significantly, environmental conditions (ambient temperature for example). If allowed working under optimal operating temperature range and with good ventilation, LED devices enjoy long service lives over conventional light sources. When using/installing LED devices, care should be taken to ensure that the devices will operate within the operating conditions specified in respective product literature.

This product is NOT suitable for coastal environments. Any such installation will void the product warranty.

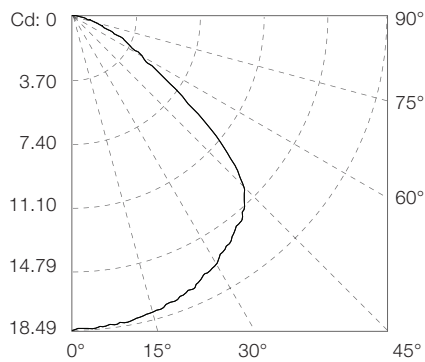
www.traxontechnologies.com

©2015 TRAXON TECHNOLOGIES - AN OSRAM BUSINESS. ALL RIGHTS RESERVED. TRAXON™, TX CONNECT®, ARE TRADEMARKS OF TRAXON TECHNOLOGIES. U.S. PATENTS, E.U. PATENTS, JAPAN PATENTS, OTHER PATENTS PENDING. SPECIFICATIONS ARE SUBJECT TO CHANGE WITHOUT NOTICE.

Source Specifications

Source	3 high intensity SMD Cold White LEDs
Optics	110°
Cover Lens	Clear PVC
Distribution	Symmetric direct illumination
CCT	6500K – Cold White

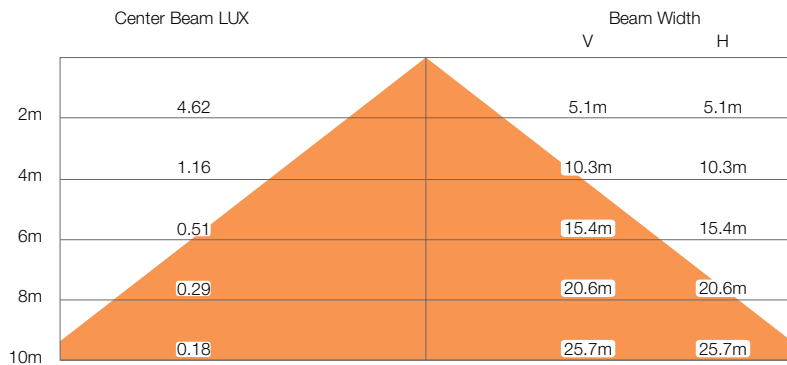
Candela Distribution



Light Output

	Color	Luminous Flux (lm)	Efficacy (lm/W)
Dot XL-3	Cold White	47.19	31.46

Illuminance at a Distance



For fc divide by 10.7

● Vert.Spread: 104.4°

● Horiz.Spread: 104.4°

For feet multiply by 3.28

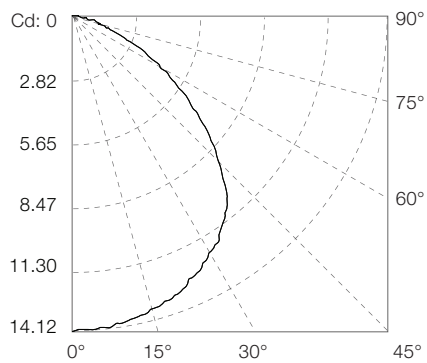
IES and LDT files are available for download from the Traxon website.

Source Specifications

Source	3 High intensity SMD Warm White LEDs
Optics	110°
Cover Lens	Clear PVC
Distribution	Symmetric direct illumination
CCT	2700K – Warm White

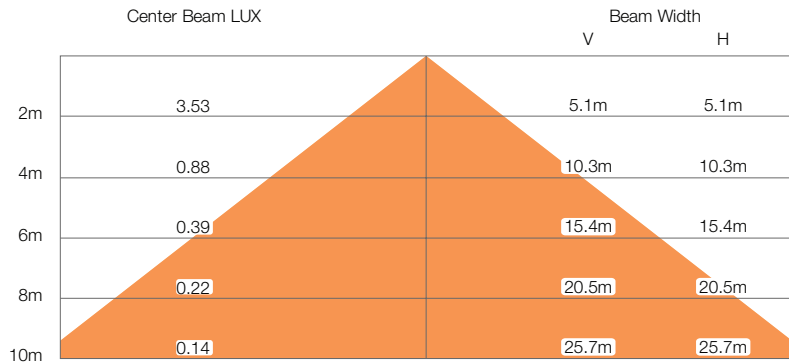
Candela Distribution

Light Output



	Color	Luminous Flux (lm)	Efficacy (lm/W)
Dot XL-3	Warm White	35.85	23.9

Illuminance at a Distance



For fc divide by 10.7

Vert. Spread: 104.2°

Horiz. Spread: 104.2°

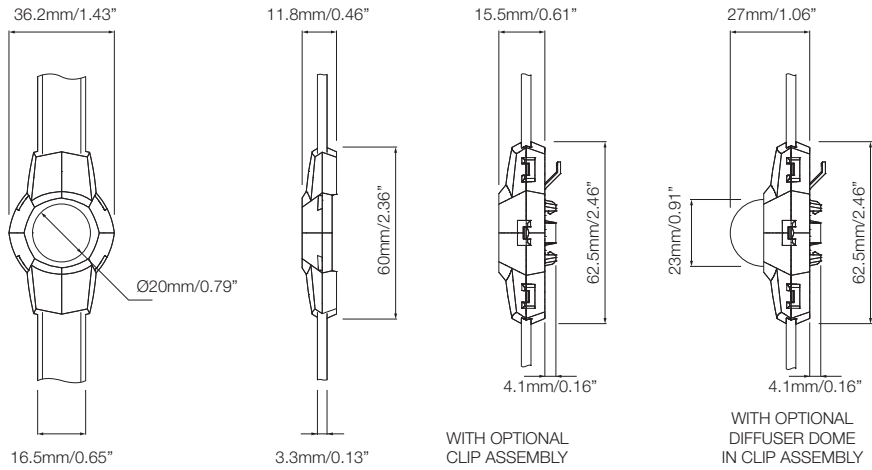
For feet multiply by 3.28

IES and LDT files are available for download from the Traxon website.

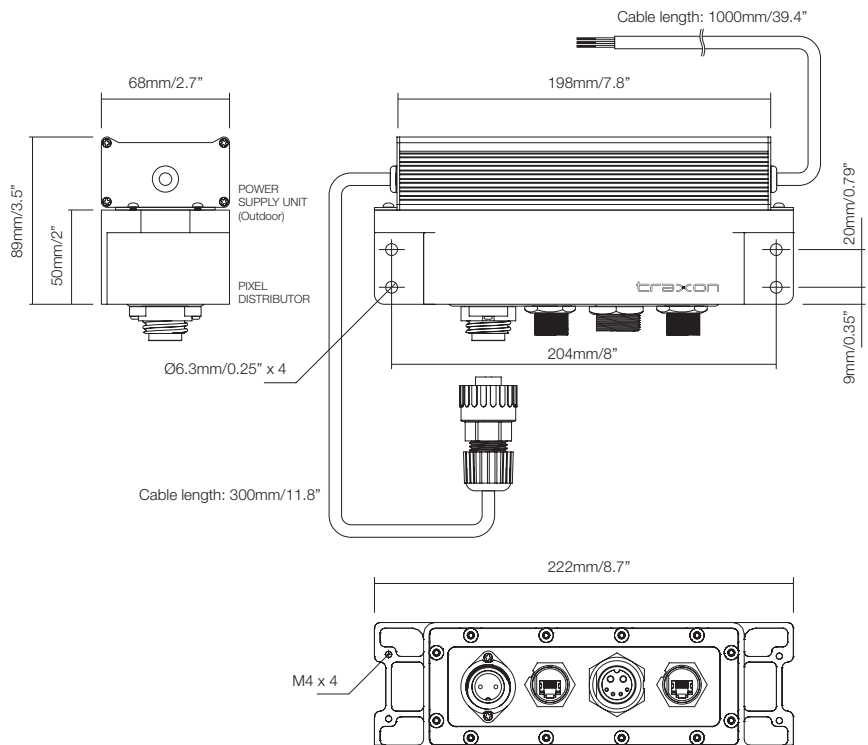
Dot XL-3 CW/WW

Dimensions

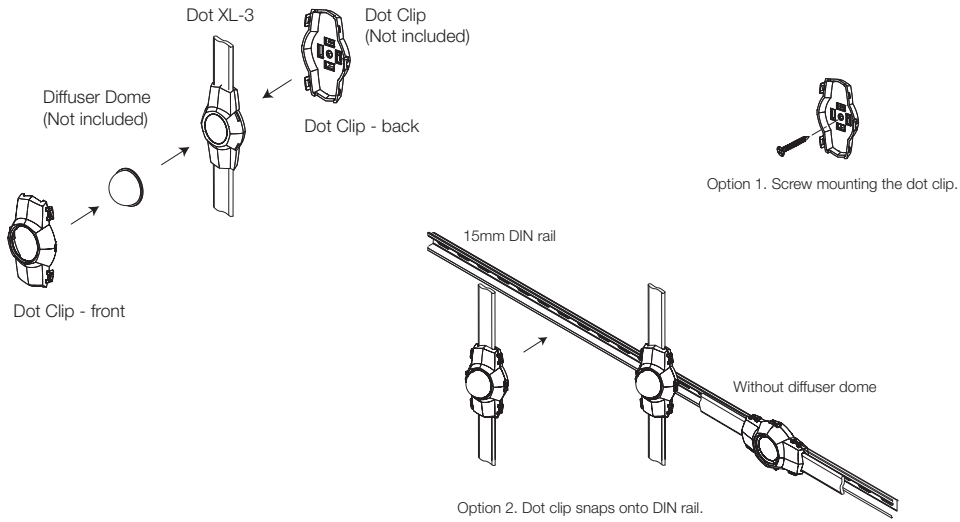
Dot XL-3



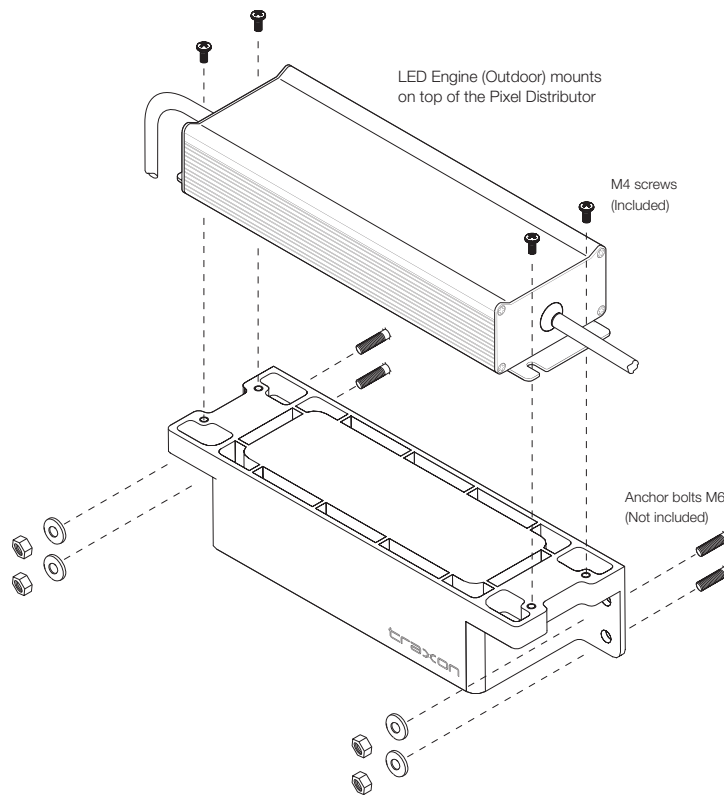
Pixel Distributor with Power Supply (Outdoor)



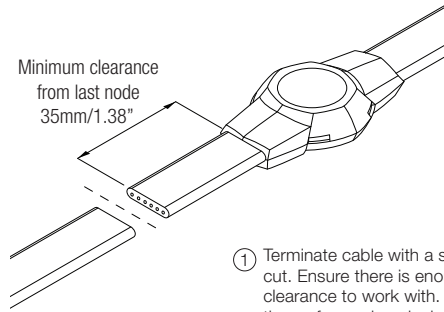
Dot XL-3



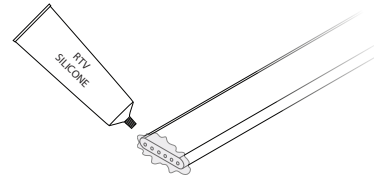
Pixel Distributor



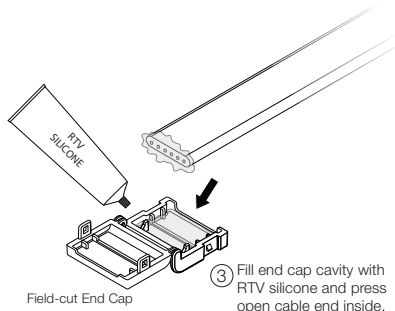
Terminating the Dot XL cable and sealing with Field-cut End Cap (End Cap not included)



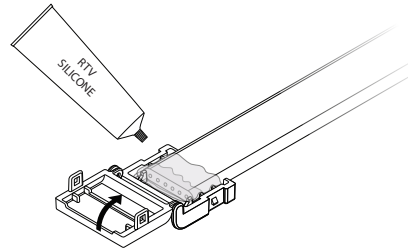
- 1 Terminate cable with a straight cut. Ensure there is enough clearance to work with. Clean the surface using alcohol.



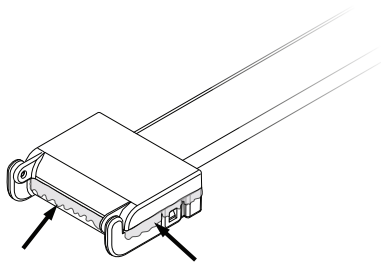
- 2 Apply RTV silicone (not included) on open-ended cable.



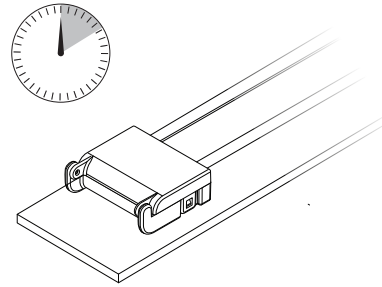
- 3 Fill end cap cavity with RTV silicone and press open cable end inside.



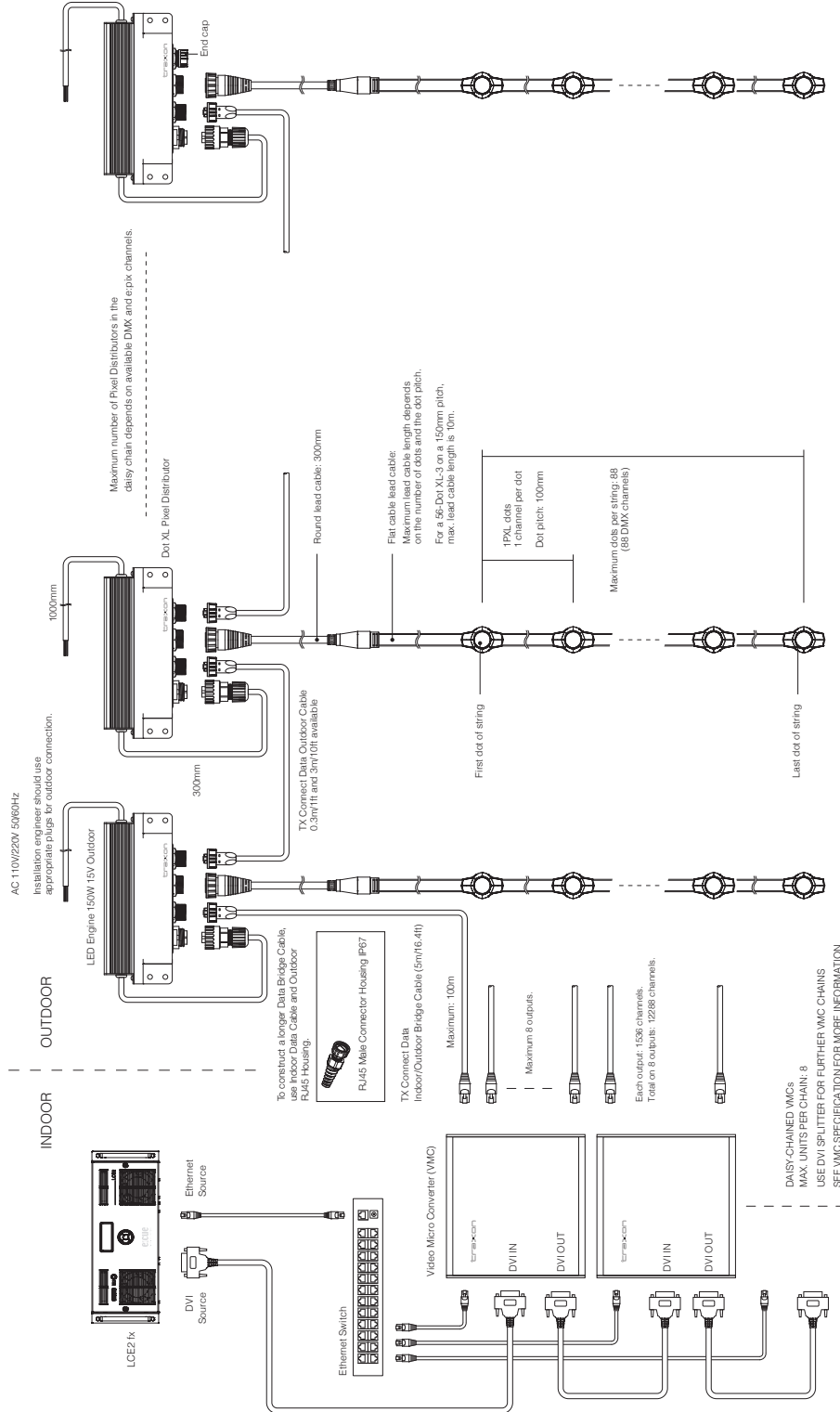
- 4 Cover parts with RTV silicone and close cover.



- 5 Clean excess silicone from end cap.



- 6 Place on flat surface and put pressure on end cap (eg. with a weighted object) for the cure time recommended by RTV silicone's instructions.





Dot XL-3 CW/WW

Ordering

Fixtures

- Please contact regional Traxon sales office for details

Standard Accessories (Included in Delivery)

Model No.	Description	Item Code
N/A	1x Pixel Distributor, 4x M4 Screws	N/A

Optional Accessories

Model No.	Description	Item Code
DO.AC.0002400	Dot XL-3 Clip (50pcs)	AA588400055
DO.AC.0002500	Dot XL-3 Dome (200pcs)	AA556190055
DO.AC.0003600	Field-cut End Cap (50pcs)	AA556200055

TX Control

Model No.	Description	Item Code
EN.BU.0000001	Butler S2	AA624080072
AC.BG.0000001	Butler S2 Garage (Optional)	AA611800031
160185	Video Micro Converter (DMX/e:pix)	AA438940235
160194	Video Micro Converter Garage (Optional)	AA623920031

TX Connect

Model No.	Description	Item Code
DE.AC.0000100	TX CONNECT Data Indoor/Outdoor Bridge Cable, 5m16.4ft	AA508850055
DI.IC.0100000	TX CONNECT Data Cable, 1m/3.28ft	AA556130055
DI.IC.0300000	TX CONNECT Data Cable 3m/9.84ft	A63408C0055
DI.IC.1000000	TX CONNECT Data Cable 10m/32.8ft	A6341040055
DE.IC.0060000	TX CONNECT Data Outdoor Cable, 0.6m/1.97ft	AA664580055
DE.IC.0300000	TX CONNECT Data Outdoor Cable, 3m/9.84ft	AA438810055
DE.AC.0100000	RJ45 Male Connector Housing IP67	AA556100155

TX Power

Model No.	Description	Item Code
PS.OA.0012000	LED Engine 150W 15V Outdoor	AA726910055



©2015 TRAXON TECHNOLOGIES - AN OSRAM BUSINESS. ALL RIGHTS RESERVED. TRAXON™, TX CONNECT®, ARE TRADEMARKS OF TRAXON TECHNOLOGIES. U.S. PATENTS, E.U. PATENTS, JAPAN PATENTS, OTHER PATENTS PENDING. SPECIFICATIONS ARE SUBJECT TO CHANGE WITHOUT NOTICE.