

PRODUCT FAMILY DATASHEET

LEDVANCE OUTDOOR LED FACADE BELT

Luminaires with modern design and light outlet up and down



AREAS OF APPLICATION

- Outdoor
- Building facades
- Entrance lighting

PRODUCT BENEFITS

- Energy-efficient thanks to LED technology
- 5 years guarantee
- Easy and quick installation
- Homogeneous light output

PRODUCT FEATURES

- Bright and functional outdoor LED luminaires
- Type of protection: IP54
- Die-cast aluminum housing
- Available in round and square form
- Diffuser made of opal PMMA



TECHNICAL DATA

Product description	Electrical data						Photometrical data				
	Nominal wattage	Nominal voltage	Nominal current	Operating mode	Mains frequency	Power factor λ	Luminous efficacy	Luminous flux	Color temperature	Light color (designation)	Color rendering index Ra
LED FACADE BELT 11 W 3000 K RD GY ¹⁾	11.00 W	220...240 V	0.057 A	Mains voltage	50/60 Hz	>0.5	35 lm/W	400 lm	3000 K	Warm White	≥80
LED FACADE BELT 11 W 3000 K SQ GY ¹⁾	11.00 W	220...240 V	0.057 A	Mains voltage	50/60 Hz	>0.5	35 lm/W	410 lm	3000 K	Warm White	≥80

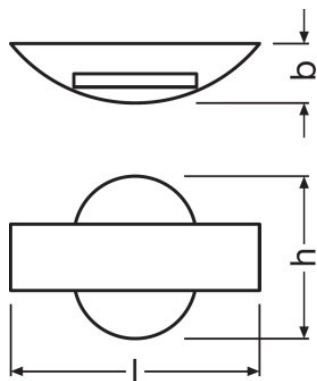
Product description	Standard deviation of color matching	Light technical data	Dimensions & weight			Colors & materials	Temperatures & operating conditions	Lifespan	
		Beam angle	Length	Width	Height	Product color	Ambient temperature range	Number of switching cycles	Lifespan L70 at 25 °C
LED FACADE BELT 11 W 3000 K RD GY ¹⁾	<6 sdcM	335.00 °	60.0 mm	240.0 mm	142.0 mm	Gray	-20...40 °C	15000	30000 h
LED FACADE BELT 11 W 3000 K SQ GY ¹⁾	<6 sdcM	340.00 °	60.0 mm	240.0 mm	142.0 mm	Gray	-20...40 °C	15000	30000 h

Product description	Additional product data	Capabilities			Certificates & standards		
	Mounting location	Dimmable	LED module replaceable	Type of connection	Type of protection	Protection class	Protection class IK (shock resistance)
LED FACADE BELT 11 W 3000 K RD GY ¹⁾	Wall	No	Not replaceable	Terminal, 3-Pole (L, N, PE)	IP54	I	IK06
LED FACADE BELT 11 W 3000 K SQ GY ¹⁾	Wall	No	Not replaceable	Terminal, 3-Pole (L, N, PE)	IP54	I	IK06

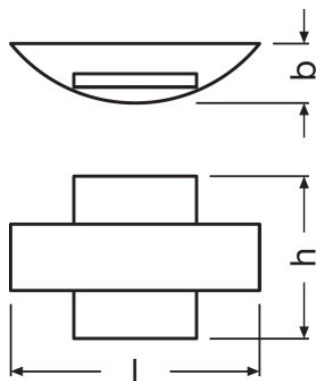
Product description	Photobiological safety group	Standards
LED FACADE BELT 11 W 3000 K RD GY ¹⁾	RG 0	CE

Product description	Photobiological safety group	Standards
LED FACADE BELT 11 W 3000 K SQ GY ¹⁾	RG 0	CE

¹⁾ Available from February 2018



LED FACADE BELT 11 W 3000 K RD GY



LED FACADE BELT 11 W 3000 K SQ GY

EQUIPMENT / ACCESSORIES

- Complete mounting and connecting accessories included

APPLICATION ADVICE

For more detailed application information and graphics please see product datasheet.

LOGISTICAL DATA

Product code	Product description	Packaging unit (Pieces/Unit)	Dimensions (length x width x height)	Volume	Gross weight
4058075074972	LED FACADE BELT 11 W 3000 K RD GY	Shipping carton box 6	600 mm x 220 mm x 290 mm	38.28 dm ³	5616.00 g
4058075074996	LED FACADE BELT 11 W 3000 K SQ GY	Shipping carton box 6	600 mm x 220 mm x 290 mm	38.28 dm ³	5796.00 g

The mentioned product code describes the smallest quantity unit which can be ordered. One shipping unit can contain one or more single products. When placing an order, for the quantity please enter single or multiples of a shipping unit.

REFERENCES / LINKS

For Guarantee see

▶ www.ledvance.com/guarantee

DISCLAIMER

— Subject to change without notice. Errors and omission excepted. Always make sure to use the most recent release.