
DIM MCU | Light management systems



Product features

- Switching load contact: 250 V/6 A (10 1-lamp or 5 2-lamp ECGs)
- Cover and rotary switch in neutral white

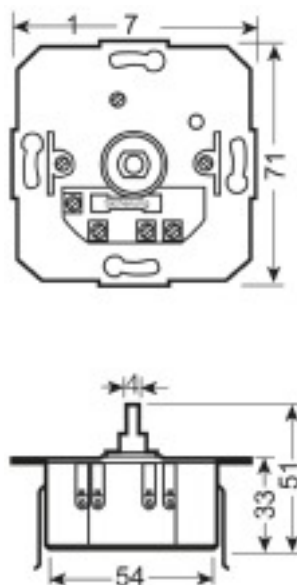
Technical data

Electrical data

Nominal voltage	230.00 V
-----------------	----------

Dimensions & weight

Length	80.0 mm
Height	40.0 mm
Width	80.0 mm



Product line drawing with numbers

Colors & materials

Product color	White
---------------	-------

Temperatures

Ambient temperature range	0...+50 °C
---------------------------	------------

Capabilities

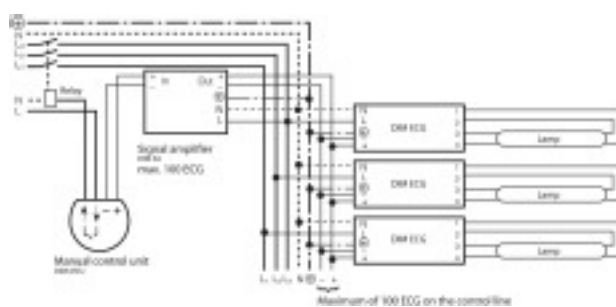
Dimming interface	1...10 V
Type of installation	Integrated in flush device box
Number of control outputs	1

Certificates & standards

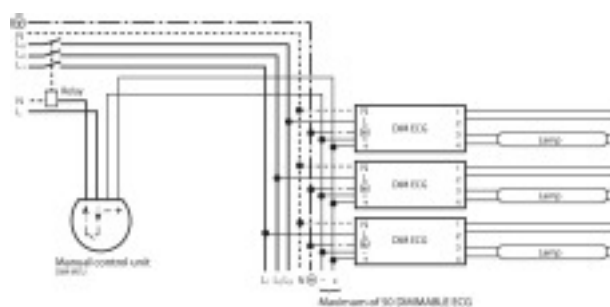
Type of protection	IP20
--------------------	------

Equipment / Accessories

- Suitable for up to 100 Electronic Control Gears
- Flexible expansion via external load contact and via signal amplifier DIM SA



Circuit diagram



Circuit diagram

Logistical Data

Product code	Packaging unit (Pieces/Unit)	Dimensions (height x width x length)	Gross weight	Volume
4050300347424	Folding carton box 1	83 mm x 69 mm x 85 mm	121.00 g	0.49 dm ³
4050300138848	Shipping carton box 100	438 mm x 298 mm x 437 mm	12421.33 g	57.04 dm ³

Disclaimer

Subject to change without notice. Errors and omission excepted. Always make sure to use the most recent release.