





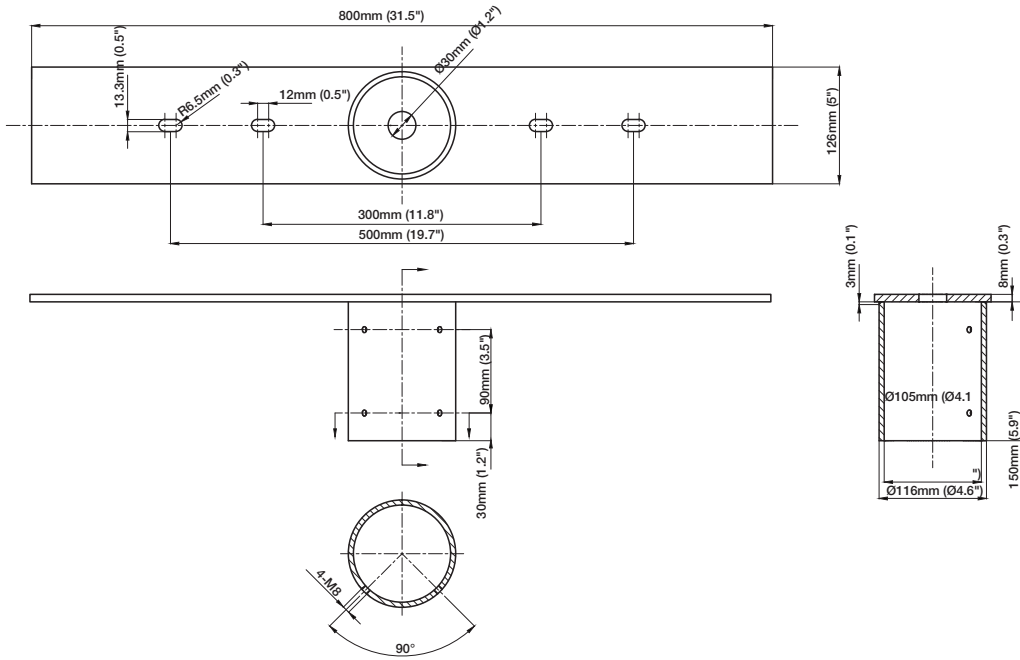




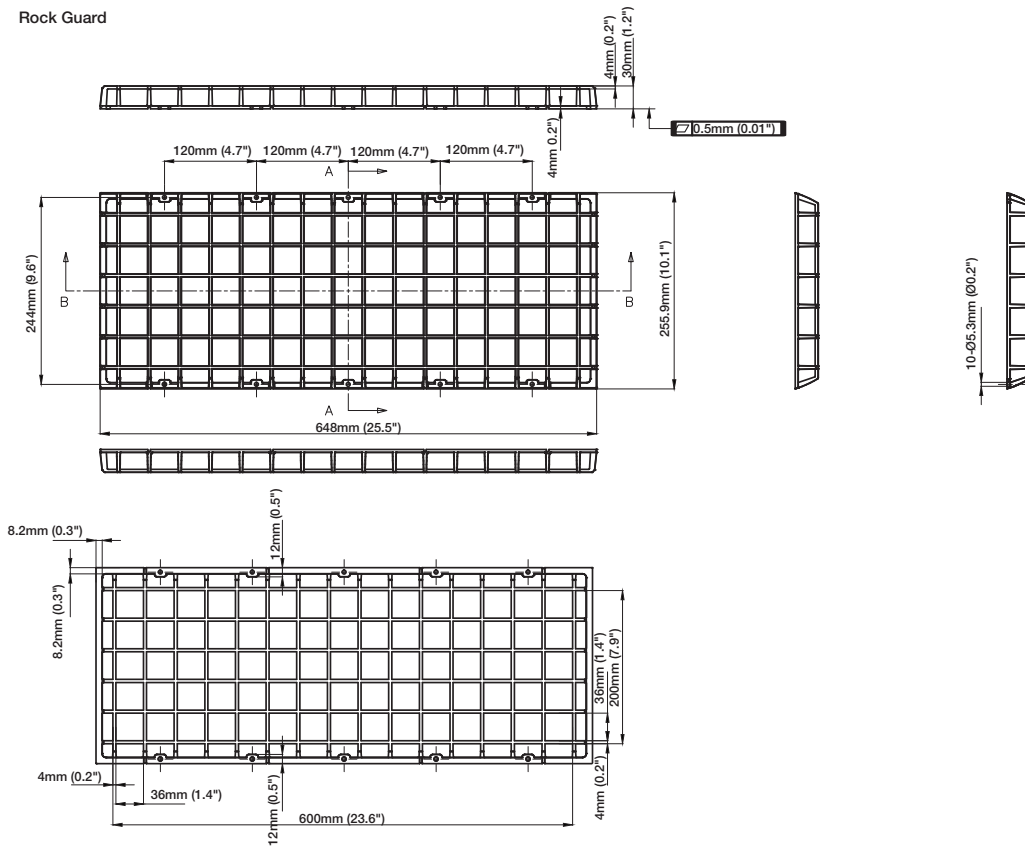
# ProPoint™ Vista 200W RGBW

# Dimensions

## Pole-Mounting Supporter



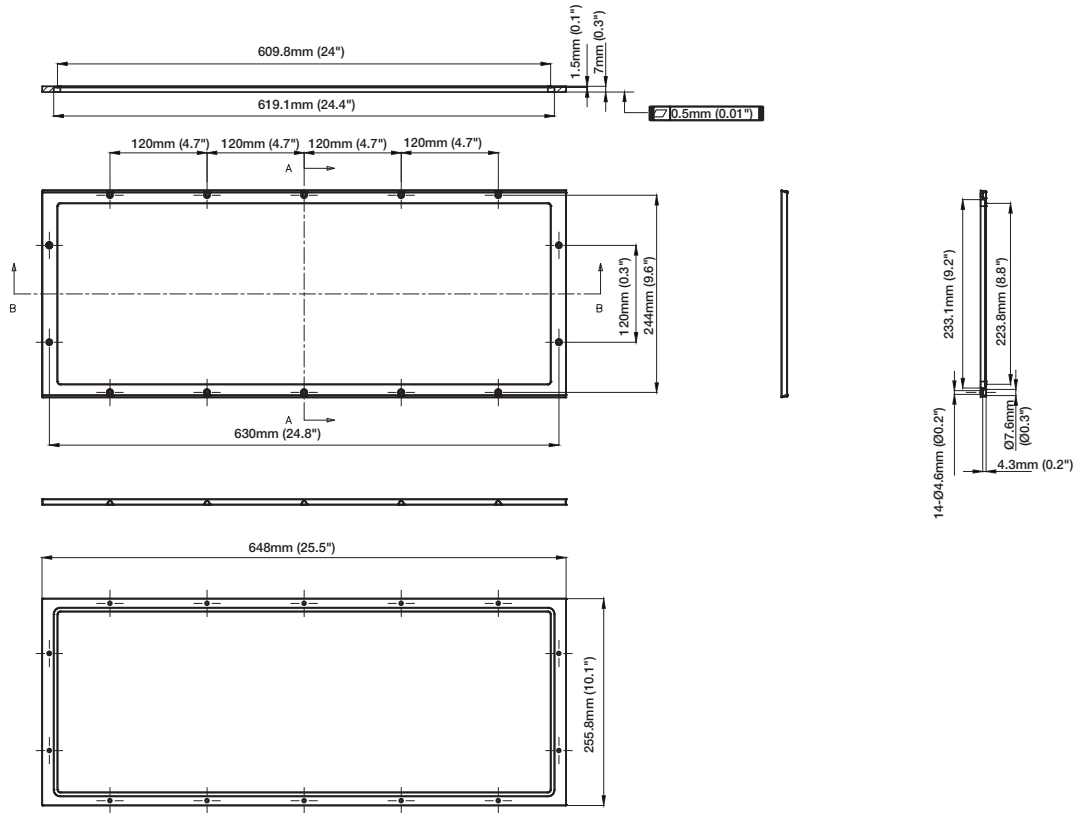
## Rock Guard



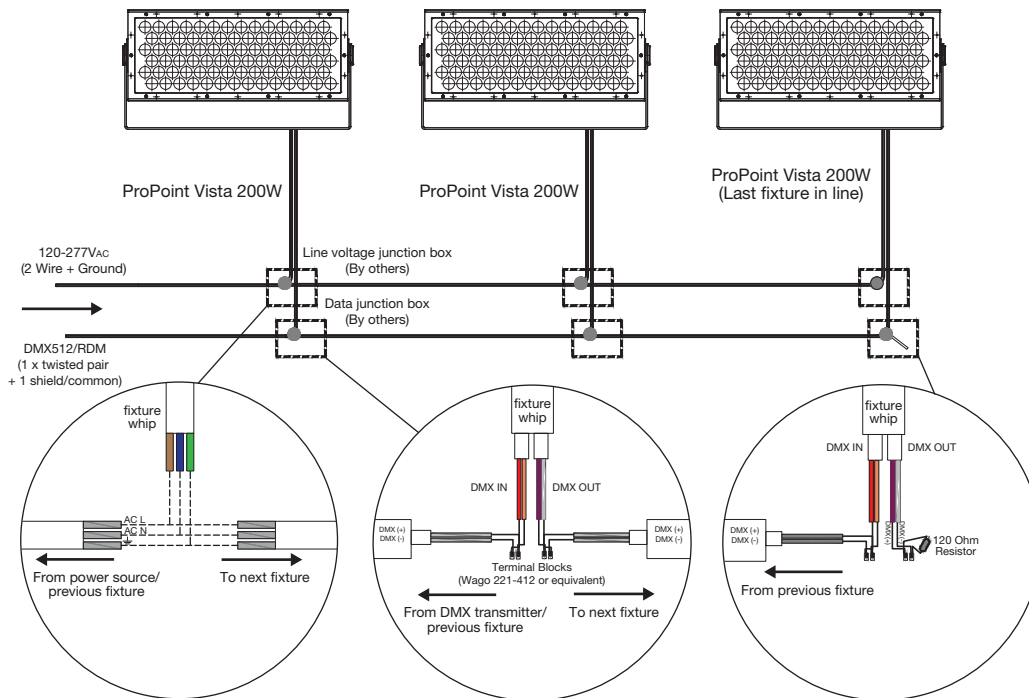
[www.traxontechnologies.com](http://www.traxontechnologies.com)  
[www.osram.us/traxon](http://www.osram.us/traxon)

©2020 TRAXON TECHNOLOGIES - AN OSRAM BUSINESS. ALL RIGHTS RESERVED. TRAXON™ AND TX CONNECT® ARE TRADEMARKS OF TRAXON TECHNOLOGIES. U.S. PATENTS, E.U. PATENTS, JAPAN PATENTS, OTHER PATENTS PENDING. SPECIFICATIONS ARE SUBJECT TO CHANGE WITHOUT NOTICE.

Spread Lens Frame



- ProPoint Vista fixtures ship with two cable whips: One cable whip for power input, consisting of two wires plus a ground, and one cable whip for DMX512 RDM input/output.
- No more than (32) fixtures on a single DMX512 link, max 300m total (source to last fixture).
- Data cabling from DMX source to first fixture and between subsequent ProPoint Vista fixtures shall be Cat5e UTP or higher (stranded type only) or other cable type suitable for DMX communication. Consult DMX standard for additional guidance.



- Each DMX512 link must be properly terminated to prevent signal reflections.

### General Notes

- All data cabling must adhere to ANSI E1.11-2008 (R2013) – Entertainment Technology – USITT DMX512-A, Asynchronous Serial Digital Data Transmission Standard for Controlling Lighting Equipment and Accessories.
- Fixture is RDM compatible.
- Fixtures allow a universal input of 100VAC to 277VAC.
- Data termination shall utilize cage clamp terminal blocks, or equivalent. Wire nuts are not permissible and will void warranty.
- The method of line voltage termination, both for data and power, is at the discretion of the installing contractor, and/or engineer. Splicing and/or joining of cables must adhere to all applicable electrical codes.
- Cables must be spliced/joined in a weatherproof enclosure/junction box, which is to be properly rated and provided by others.

# ProPoint™ Vista 200W RGBW

Ordering

## Model Number (Fixtures)

PP	.	V2	.	9	4	4	1	1	X
ProPoint	.	Vista	.	Control	Color	CCT		Optic	Finish
		V2: Vista 200W		9: DMX	4: RGBW	4: 4000K		1: 3"	1: Gray
									2: Black
									3: White

## Fixtures

Model Number	Description	Item Code
PP.V2.944111	ProPoint Vista 200W RGBW 3° Gray	AM380310055
PP.V2.944112	ProPoint Vista 200W RGBW 3° Black	AM380320055
PP.V2.944113	ProPoint Vista 200W RGBW 3° White	AM380330055



Model Number (Accessories)

PP	VA	0	X	X	0	0	X
ProPoint	Vista Accessories	Vista Size	Accessory Type	Spread Lens Package	Finish		
		0: 200W/400W	1: Anti-Glare Half Shield	0: n/a	1: Gray		
			2: Anti-Glare Full Shield	1: 5°	2: Black		
			3: Rockguard	2: 8°	3: White		
			4: Spread Lens Module	3: 10°			
			5: Pole-Mounting Support	4: 15°			
				5: 20°			
				6: 30°			
				7: 40°			
				8: 55°			
				9: 80°			
				A: 50° x 10°			
				B: 50° x 5°			

Accessories

Model Number	Description	Item Code
AM243520054	ProPoint Termination Kit	AM243520054
PP.AK.0000AA	ProPoint Allen Key Set (3mm – 17mm)	AS000490055
PP.AK.000014	ProPoint 14mm Allen Key	AS000430055
PP.VA.010001	PP Vista Half Shield	AM380690055
PP.VA.020001	PP Vista Full Shield	AM380720055
PP.VA.030001	PP Vista Mask – Rock Guard	AM380730055
PP.VA.050001	PP Vista Pole-Mounting Support	AM380750055
PP.VA.041001	ProPoint Vista Spread Lens Module – 5°	AM380760055
PP.VA.042001	ProPoint Vista Spread Lens Module – 8°	AM380770055
PP.VA.043001	ProPoint Vista Spread Lens Module – 10°	AM380780055
PP.VA.044001	ProPoint Vista Spread Lens Module – 15°	AM380790055
PP.VA.045001	ProPoint Vista Spread Lens Module – 20°	AM380800055
PP.VA.046001	ProPoint Vista Spread Lens Module – 30°	AM380810055
PP.VA.047001	ProPoint Vista Spread Lens Module – 40°	AM380820055
PP.VA.048001	ProPoint Vista Spread Lens Module – 55°	AM380830055
PP.VA.049001	ProPoint Vista Spread Lens Module – 80°	AM380840055
PP.VA.04A001	ProPoint Vista Spread Lens Module – 50°x10°	AM380850055
PP.VA.04B001	ProPoint Vista Spread Lens Module – 50°x5°	AM380860055