

LED STAR MR16 12 V

Low-voltage LED reflector lamps MR16 with retrofit pin base



Areas of application

- All domestic rooms, especially where the lamps are visible
- Directional light sources
- Outdoor applications only in suitable luminaires
- Direct and indirect lighting

Product benefits

- Very low energy consumption
- Extremely long life
- No UV and near-IR radiation in the light beam
- Shockproof and vibration-proof
- Efficient generation of white light

Product features

- Made in Europe
- Not dimmable
- Base: GU5.3
- Lifetime: up to 15,000 h
- Mercury-free lamps



Product family datasheet

Technical data

Product description	Electrical data				Photometrical data					Light technical data
	Nominal wattage	Nominal voltage	Claimed equiv. conventional lamp power	Rated luminous flux	Luminous intensity	Nominal luminous flux	Color temperature	Color rendering index Ra	Light color (designation)	Beam angle
20 24° 3 W/827 GU5.3 ¹⁾	3.50 W	12.0 V	20 W	210 lm	450 cd	210 lm	2700 K	80	Warm White	24 °
LED STAR MR16 20 36° 3.5 W/840 GU5.3 ²⁾	3.50 W	12.0 V	20 W	220 lm		220 lm	4000 K		Cool White	36 °
LED STAR MR16 ¹⁾	3.50 W	12.0 V	20 W	210 lm		210 lm	2700 K			36 °
LED STAR MR16 ¹⁾	3.50 W	12.0 V	20 W	220 lm		220 lm	6500 K			36 °
-	3.50 W	12.0 V	20 W	220 lm		220 lm	6500 K	80		24 °
LED STAR MR16 35 36° 5.6 W/827 GU5.3 ¹⁾	5.60 W	12.0 V	35 W	350 lm	800 cd	350 lm	2700 K		Warm White	36 °
LED STAR MR16 35 36° 5.6 W/827 GU5.3 ¹⁾	5.60 W	12.0 V	35 W	400 lm		400 lm	4000 K		Cool White	36 °
35 24° 6 W/865 GU5.3 ¹⁾	5.60 W	12.0 V	35 W	400 lm		400 lm	6500 K			24 °
LED STAR MR16 35 36° 6 W/865 GU5.3 ¹⁾	5.60 W	12.0 V	35 W	400 lm		400 lm	6500 K			36 °
35 24° 6 W/827 GU5.3 ¹⁾	5.60 W	12.0 V	35 W	350 lm		350 lm	2700 K	81		24 °
LED STAR MR16 35 36° 6 W/827 GU5.3 ¹⁾	5.60 W	12.0 V	35 W	350 lm		350 lm	2700 K	80		36 °
50 24° 8 W/827 GU5.3 ¹⁾	8.00 W	12.0 V		450 lm		450 lm	2700 K	80	Warm White	24 °
50 24° 8 W/827 GU5.3 ¹⁾	8.00 W	12.0 V		470 lm		470 lm	6500 K	80	Daylight	24 °
50 36° 8 W/827 GU5.3 ¹⁾	8.00 W	12.0 V		450 lm		450 lm	2700 K	80	Warm White	36 °
50 36° 8 W/865 GU5.3 ¹⁾	8.00 W	12.0 V		470 lm		470 lm	6500 K	80	Daylight	36 °
LED STAR MR16 20 36° 3 W/827 GU5.3 ¹⁾	2.50 W	12.0 V	20 W	210 lm		210 lm	2700 K	≥80		36 °

Product family datasheet

Product description	Electrical data				Photometrical data					Light technical data
	Nominal wattage	Nominal voltage	Claimed equiv. conventional lamp power	Rated luminous flux	Luminous intensity	Nominal luminous flux	Color temperature	Color rendering index Ra	Light color (designation)	Beam angle
LED STAR MR16 20 36° 3 W/865 GU5.3 ¹⁾	2.50 W	12.0 V	20 W	230 lm		230 lm	6500 K	80		36 °
LED STAR MR16 35 36° 5 W/827 GU5.3 ¹⁾	5.00 W	12.0 V	35 W	350 lm		350 lm	2700 K	≥80		
LED STAR MR16 35 36° 5 W/865 GU5.3 ¹⁾	5.00 W	12.0 V	35 W	380 lm		380 lm	6500 K	≥80		
LED STAR MR16 50 24° 6 W/827 GU5.3 ¹⁾	5.50 W	12.0 V	38 W	400 lm		400 lm	2700 K	80		
LED STAR MR16 50 36° 6 W/827 GU5.3 ¹⁾	5.50 W	12.0 V	38 W	400 lm		400 lm	2700 K	80		
LED STAR MR16 50 36° 6 W/865 GU5.3 ¹⁾	5.50 W	12.0 V	38 W	420 lm		420 lm	6500 K	80		

Product description	Warm-up time (60 %)	Dimensions & weight		Lifespan			Additional product data			Capabilities
		Overall length	Diameter	Nominal lamp life time	Number of switching cycles	Lumen main. fact. at end of nom. life time	Base (standard designation)	Lamp mercury content	Mercury-free	Dimmable
20 24° 3 W/827 GU5.3 ¹⁾	0.20 s	51.0 mm	49.6 mm	15000 h	100000	0.70	GU5.3	0.0 mg	Yes	No
LED STAR MR16 20 36° 3.5 W/840 GU5.3 ²⁾	0.20 s	51.0 mm	36.0 mm		10000	0.70	GU5.3		Yes	No
LED STAR MR16 ¹⁾	0.20 s	51.0 mm	50.0 mm	15000 h	100000	0.70	GU5.3	0.0 mg	Yes	No
LED STAR MR16 ¹⁾	0.20 s	51.0 mm	50.0 mm	15000 h	100000	0.70	GU5.3	0.0 mg	Yes	No
-	0.20 s	51.0 mm	49.6 mm	15000 h	100000	0.70	GU5.3	0.0 mg	Yes	No
LED STAR MR16 35 36° 5.6 W/827 GU5.3 ¹⁾	0.20 s	51.0 mm	49.6 mm	15000 h	100000	0.70	GU5.3	0.0 mg	Yes	No

Product family datasheet

Product description	Warm-up time (60 %)	Dimensions & weight		Lifespan			Additional product data			Capabilities
		Overall length	Diameter	Nominal lamp life time	Number of switching cycles	Lumen main. fact. at end of nom. life time	Base (standard designation)	Lamp mercury content	Mercury-free	Dimmable
LED STAR MR16 35 36° 5.6 W/827 GU5.3 ¹⁾	0.20 s	51.0 mm	36.0 mm		10000	0.70	GU5.3		Yes	Yes
35 24° 6 W/865 GU5.3 ¹⁾	0.20 s	51.0 mm	49.6 mm	15000 h	100000	0.70	GU5.3	0.0 mg	Yes	No
LED STAR MR16 35 36° 6 W/865 GU5.3 ¹⁾	0.20 s	51.0 mm	49.6 mm	15000 h	100000	0.70	GU5.3	0.0 mg	Yes	Yes
35 24° 6 W/827 GU5.3 ¹⁾		51.0 mm	51.0 mm	25000 h	100000	0.70	GU5.3	0.0 mg	Yes	No
LED STAR MR16 35 36° 6 W/827 GU5.3 ¹⁾		51.0 mm	50.0 mm	15000 h	100000	0.70	GU5.3	0.0 mg	Yes	No
50 24° 8 W/827 GU5.3 ¹⁾		52.0 mm	50.0 mm	25000 h			GU5.3		Yes	No
50 24° 8 W/827 GU5.3 ¹⁾		52.0 mm	50.0 mm	25000 h			GU5.3		Yes	No
50 36° 8 W/827 GU5.3 ¹⁾		52.0 mm	50.0 mm	15000 h			GU5.3		Yes	No
50 36° 8 W/865 GU5.3 ¹⁾		52.0 mm	50.0 mm	25000 h			GU5.3		Yes	No
LED STAR MR16 20 36° 3 W/827 GU5.3 ¹⁾	< 0.50 s	47.0 mm	50.0 mm	15000 h	100000	0.70	GU5.3	0.0 mg	Yes	No
LED STAR MR16 20 36° 3 W/865 GU5.3 ¹⁾	< 0.50 s	47.0 mm	50.0 mm	15000 h	100000	0.70	GU5.3	0.0 mg	Yes	No
LED STAR MR16 35 36° 5 W/827 GU5.3 ¹⁾	< 0.50 s	47.0 mm	50.0 mm	15000 h	100000	0.70	GU5.3	0.0 mg	Yes	No
LED STAR MR16 35 36° 5 W/865 GU5.3 ¹⁾	< 0.50 s	47.0 mm	50.0 mm	15000 h	100000	0.70	GU5.3	0.0 mg	Yes	No
LED STAR MR16 50 24° 6 W/827 GU5.3 ¹⁾	< 0.50 s	48.0 mm	50.0 mm	25000 h	100000	0.70	GU5.3	0.0 mg	Yes	No
LED STAR MR16 50 36° 6 W/827 GU5.3 ¹⁾	< 0.50 s	48.0 mm	50.0 mm	25000 h	100000	0.70	GU5.3	0.0 mg	Yes	No
LED STAR MR16 50 36° 6 W/865 GU5.3 ¹⁾	< 0.50 s	48.0 mm	50.0 mm	25000 h	100000	0.70	GU5.3	0.0 mg	Yes	No

Product family datasheet

Product description	Certificates & standards	Country specific categorizations
	Energy efficiency class	ILCOS
20 24° 3 W/827 GU5.3 ¹⁾	A+	DRR-3-12-GU5,3-50/24
LED STAR MR16 20 36° 3.5 W/840 GU5.3 ²⁾	A+	
LED STAR MR16 ¹⁾	A+	
LED STAR MR16 ¹⁾	A+	
-	A+	
LED STAR MR16 35 36° 5.6 W/827 GU5.3 ¹⁾	A+	DRR-7-12-GU5,3-50/36
LED STAR MR16 35 36° 5.6 W/827 GU5.3 ¹⁾	A+	
35 24° 6 W/865 GU5.3 ¹⁾	A+	
LED STAR MR16 35 36° 6 W/865 GU5.3 ¹⁾	A+	
35 24° 6 W/827 GU5.3 ¹⁾	A+	
LED STAR MR16 35 36° 6 W/827 GU5.3 ¹⁾	A+	
50 24° 8 W/827 GU5.3 ¹⁾		
50 24° 8 W/827 GU5.3 ¹⁾		
50 36° 8 W/827 GU5.3 ¹⁾		
50 36° 8 W/865 GU5.3 ¹⁾		
LED STAR MR16 20 36° 3 W/827 GU5.3 ¹⁾	A++	
LED STAR MR16 20 36° 3 W/865 GU5.3 ¹⁾	A++	
LED STAR MR16 35 36° 5 W/827 GU5.3 ¹⁾	A+	
LED STAR MR16 35 36° 5 W/865 GU5.3 ¹⁾	A+	

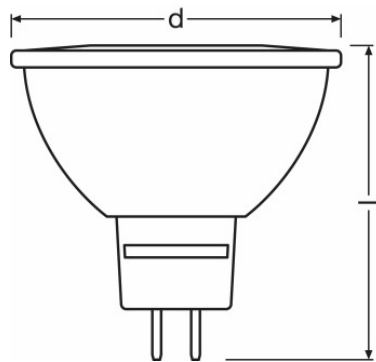
Product family datasheet

	Certificates & standards	Country specific categorizations
Product description	Energy efficiency class	ILCOS
LED STAR MR16 50 24° 6 W/827 GU5.3 ¹⁾	A+	
LED STAR MR16 50 36° 6 W/827 GU5.3 ¹⁾	A+	
LED STAR MR16 50 36° 6 W/865 GU5.3 ¹⁾	A+	

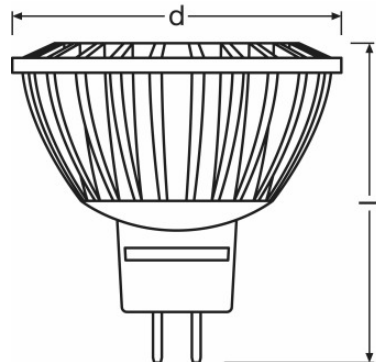
¹⁾ All technical parameters apply to the entire lamp/Due to the complex production process for light-emitting diodes, the typical values shown for the technical LED parameters are purely statistical values that do not necessarily match the actual technical parameters of each individual product, which can vary from the typical value

²⁾ All technical parameters apply to the entire lamp/Due to the complex production process for light-emitting diodes, the typical values shown for the technical LED parameters are purely statistical values that do not necessarily match the actual technical parameters of each individual product, which can vary from the typical value/In development, data preliminary

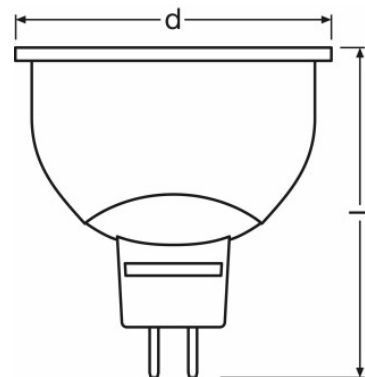
Product family datasheet



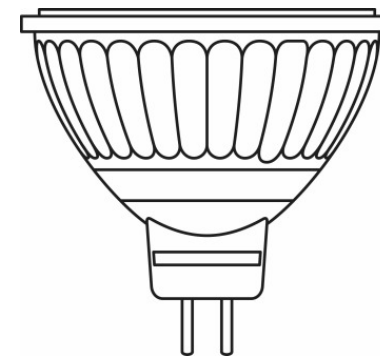
LED STAR MR16 20 36° 3.5 W/840
GU5.3



LED STAR MR16 35 36° 5.6 W/827
GU5.3

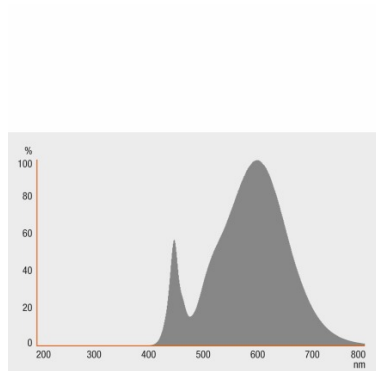
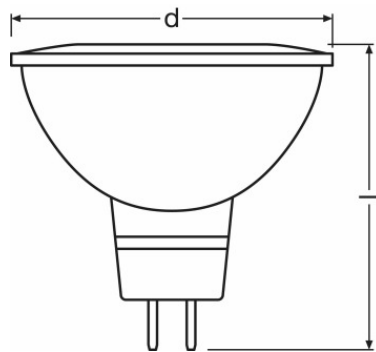


LED STAR MR16 35 36° 5.6 W/827
GU5.3



35 24° 6 W/865 GU5.3, LED STAR
MR16 35 36° 6 W/865 GU5.3, 35 24°
6 W/827 GU5.3, LED STAR MR16 35
36° 6 W/827 GU5.3

Product family datasheet



LED STAR MR16 20 36° 3 W/827
GU5.3, LED STAR MR16 20 36° 3
W/865 GU5.3, LED STAR MR16 35 36°
5 W/827 GU5.3, LED STAR MR16 35
36° 5 W/865 GU5.3, LED STAR MR16
50 24° 6 W/827 GU5.3, LED STAR
MR16 50 36° 6 W/827 GU5.3, LED
STAR MR16 50 36° 6 W/865 GU5.3

LED STAR MR16 35 36° 5.6 W/827
GU5.3

Equipment / Accessories

- Equipped with high-power LEDs
- Suitable for many commercially available conventional transformers

Application advice

Product family datasheet

For more detailed application information and graphics please see product datasheet.

Logistical Data

Product code	Product description	Packaging unit (Pieces/Unit)	Dimensions (length x width x height)	Volume	Gross weight
4052899155411	20 24° 3 W/827 GU5.3	Shipping carton box 10	273 mm x 113 mm x 100 mm	3.08 dm ³	537.00 g
4052899928978	LED STAR MR16 20 36° 3.5 W/840 GU5.3	Shipping carton box 6	322 mm x 154 mm x 135 mm	6.69 dm ³	430.00 g
4052899155459	LED STAR MR16	Shipping carton box 10	273 mm x 113 mm x 100 mm	3.08 dm ³	517.00 g
4052899155473	LED STAR MR16	Shipping carton box 10	273 mm x 113 mm x 100 mm	3.08 dm ³	537.00 g
4052899155435		Shipping carton box 10	273 mm x 113 mm x 100 mm	3.08 dm ³	537.00 g
4052899910393	LED STAR MR16 35 36° 5.6 W/827 GU5.3	Shipping carton box 6	319 mm x 154 mm x 134 mm	6.58 dm ³	600.00 g
4052899928985	LED STAR MR16 35 36° 5.6 W/827 GU5.3	Shipping carton box 6	322 mm x 154 mm x 135 mm	6.69 dm ³	604.00 g
4052899154261	35 24° 6 W/865 GU5.3	Shipping carton box 10	273 mm x 113 mm x 100 mm	3.08 dm ³	807.00 g
4052899154322	LED STAR MR16 35 36° 6 W/865 GU5.3	Shipping carton box 10	273 mm x 113 mm x 100 mm	3.08 dm ³	807.00 g
4052899154247	35 24° 6 W/827 GU5.3	Shipping carton box 10	275 mm x 117 mm x 103 mm	3.31 dm ³	823.00 g
4052899154285	LED STAR MR16 35 36° 6 W/827 GU5.3	Shipping carton box 10	275 mm x 117 mm x 103 mm	3.31 dm ³	823.00 g

Product family datasheet

Product code	Product description	Packaging unit (Pieces/Unit)	Dimensions (length x width x height)	Volume	Gross weight
4052899920071	50 24° 8 W/827 GU5.3	Shipping carton box 10	275 mm x 117 mm x 103 mm	3.31 dm ³	803.00 g
4052899920088	50 24° 8 W/827 GU5.3	Shipping carton box 10	275 mm x 117 mm x 103 mm	3.31 dm ³	803.00 g
4052899920095	50 36° 8 W/827 GU5.3	Shipping carton box 10	275 mm x 117 mm x 103 mm	3.31 dm ³	803.00 g
4052899920101	50 36° 8 W/865 GU5.3	Shipping carton box 10	275 mm x 117 mm x 103 mm	3.31 dm ³	803.00 g
4052899307476	LED STAR MR16 20 36° 3 W/827 GU5.3	Shipping carton box 10	276 mm x 116 mm x 67 mm	2.15 dm ³	537.00 g
4052899307940	LED STAR MR16 20 36° 3 W/865 GU5.3	Shipping carton box 10	276 mm x 116 mm x 67 mm	2.15 dm ³	537.00 g
4052899307506	LED STAR MR16 35 36° 5 W/827 GU5.3	Shipping carton box 10	276 mm x 116 mm x 67 mm	2.15 dm ³	537.00 g
4052899307858	LED STAR MR16 35 36° 5 W/865 GU5.3	Shipping carton box 10	276 mm x 116 mm x 67 mm	2.15 dm ³	537.00 g
4052899307995	LED STAR MR16 50 24° 6 W/827 GU5.3	Shipping carton box 10	276 mm x 116 mm x 67 mm	2.15 dm ³	587.00 g
4052899308015	LED STAR MR16 50 36° 6 W/827 GU5.3	Shipping carton box 10	276 mm x 116 mm x 67 mm	2.15 dm ³	587.00 g
4052899308039	LED STAR MR16 50 36° 6 W/865 GU5.3	Shipping carton box 10	276 mm x 116 mm x 67 mm	2.15 dm ³	587.00 g

The mentioned product code describes the smallest quantity unit which can be ordered. One shipping unit can contain one or more single products. When placing an order, for the quantity please enter single or multiples of a shipping unit.

References / Links

Product family datasheet

For further products and actual information concerning LED lamps see

▶ www.osram.com/ledlamps

For Guarantee see

▶ www.osram.com/guarantee

Further information see

▶ www.osram.com/low-voltage-ledlamps

Disclaimer

Subject to change without notice. Errors and omission excepted. Always make sure to use the most recent release.