

# PRODUCT FAMILY DATASHEET

## LEDVANCE DOWNLIGHT LED SLIM VALUE

### LED downlight luminaires



---

#### AREAS OF APPLICATION

- Direct replacement for luminaires with fluorescent lamps
- General illumination
- Public areas
- Stairways
- Corridors
- Foyers
- Shops

---

#### PRODUCT BENEFITS

- Very slim housing
- Low installation depth
- High luminous efficacy
- Energy savings up to 60 % (compared to luminaires that use CFL lamps)
- Very homogenous light
- Functional design
- External driver for easy replacement

---

#### PRODUCT FEATURES

- Solid aluminum housing in white
- Small visible bezel
- Light guide made of non-yellowing PMMA for long lifetime



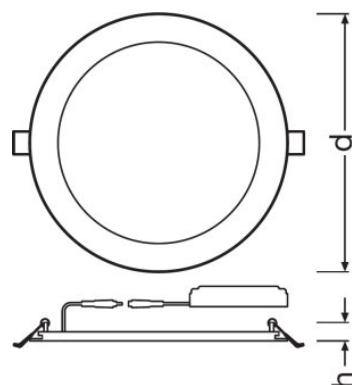
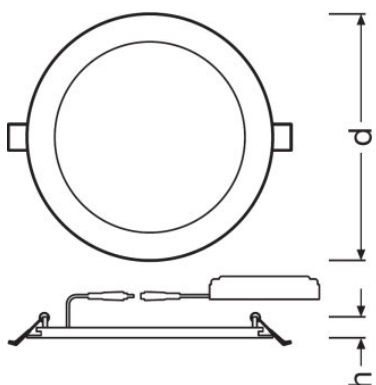
TECHNICAL DATA

Product description	Electrical data				Photometrical data				Light technical data	Dimensions & weight	
	Operating mode	Nominal wattage	Nominal voltage	Mains frequency	Color temperature	Luminous flux	Light color (designation)	Color rendering index Ra	Beam angle	Diameter	Height
DOWNLIGHT LED SLIM VALUE DN 180 17 W/3000 K WT <sup>1)</sup>	Electronic control gear (ECG)	17.00 W	220...240 V	50/60 Hz	3000 K	1350 lm	Warm White	>80	120 °	200.0 mm	23.0 mm
DOWNLIGHT LED SLIM VALUE DN 180 17 W/4000 K WT <sup>1)</sup>	Electronic control gear (ECG)	17.00 W	220...240 V	50/60 Hz	4000 K	1400 lm	Cool White	>80	120 °	200.0 mm	23.0 mm
DOWNLIGHT LED SLIM VALUE DN 205 22 W/3000 K WT <sup>1)</sup>	Electronic control gear (ECG)	22.00 W	220...240 V	50/60 Hz	3000 K	1850 lm	Warm White	>80	120 °	225.0 mm	23.0 mm
DOWNLIGHT LED SLIM VALUE DN 205 22 W/4000 K WT <sup>1)</sup>	Electronic control gear (ECG)	22.00 W	220...240 V	50/60 Hz	4000 K	1920 lm	Cool White	>80	120 °	225.0 mm	23.0 mm

Product description	Mounting diameter	Colors & materials		Temperatures & operating conditions	Lifespan		Capabilities	
		Body material	Product color	Ambient temperature range	Number of switching cycles	Lifespan L70 at 25 °C	Dimmable	Type of connection
DOWNLIGHT LED SLIM VALUE DN 180 17 W/3000 K WT <sup>1)</sup>	180.0 mm	Aluminum	White	0...40 °C	50000	30000 h	No	Fixed connection (terminal)
DOWNLIGHT LED SLIM VALUE DN 180 17 W/4000 K WT <sup>1)</sup>	180.0 mm	Aluminum	White	0...40 °C	50000	30000 h	No	Fixed connection (terminal)
DOWNLIGHT LED SLIM VALUE DN 205 22 W/3000 K WT <sup>1)</sup>	205.0 mm	Aluminum	White	0...40 °C	50000	30000 h	No	Fixed connection (terminal)
DOWNLIGHT LED SLIM VALUE DN 205 22 W/4000 K WT <sup>1)</sup>	205.0 mm	Aluminum	White	0...40 °C	50000	30000 h	No	Fixed connection (terminal)

Product description	Certificates & standards			
	Luminous efficacy of lamp in luminaire	Protection class	Type of protection	Protection class IK (shock resistance)
DOWNLIGHT LED SLIM VALUE DN 180 17 W/3000 K WT <sup>1)</sup>	80 lm/W	II	IP20	IK03
DOWNLIGHT LED SLIM VALUE DN 180 17 W/4000 K WT <sup>1)</sup>	80 lm/W	II	IP20	IK03
DOWNLIGHT LED SLIM VALUE DN 205 22 W/3000 K WT <sup>1)</sup>	85 lm/W	II	IP20	IK03
DOWNLIGHT LED SLIM VALUE DN 205 22 W/4000 K WT <sup>1)</sup>	90 lm/W	II	IP20	IK03

<sup>1)</sup> Available from December 2017



DOWNLIGHT LED SLIM VALUE DN 180 17 W/3000 K WT, DOWNLIGHT LED SLIM VALUE DN 180 17 W/4000 K WT

DOWNLIGHT LED SLIM VALUE DN 205 22 W/3000 K WT, DOWNLIGHT LED SLIM VALUE DN 205 22 W/4000 K WT

### EQUIPMENT / ACCESSORIES

– Surface mounting frames available as accessories

**APPLICATION ADVICE**

For more detailed application information and graphics please see product datasheet.

**LOGISTICAL DATA**

Product code	Product description	Packaging unit (Pieces/Unit)	Dimensions (length x width x height)	Volume	Gross weight
4058075063921	DOWNLIGHT LED SLIM VALUE DN 180 17 W/3000 K WT	Shipping carton box 10	495 mm x 210 mm x 210 mm	21.83 dm <sup>3</sup>	3787.00 g
4058075063945	DOWNLIGHT LED SLIM VALUE DN 180 17 W/4000 K WT	Shipping carton box 10	495 mm x 210 mm x 210 mm	21.83 dm <sup>3</sup>	3787.00 g
4058075064003	DOWNLIGHT LED SLIM VALUE DN 205 22 W/3000 K WT	Shipping carton box 10	495 mm x 245 mm x 245 mm	29.71 dm <sup>3</sup>	4766.00 g
4058075064027	DOWNLIGHT LED SLIM VALUE DN 205 22 W/4000 K WT	Shipping carton box 10	495 mm x 245 mm x 245 mm	29.71 dm <sup>3</sup>	4766.00 g

The mentioned product code describes the smallest quantity unit which can be ordered. One shipping unit can contain one or more single products. When placing an order, for the quantity please enter single or multiples of a shipping unit.

**REFERENCES / LINKS**

For Guarantee see

▶ [www.ledvance.com/guarantee](http://www.ledvance.com/guarantee)

**DISCLAIMER**

Subject to change without notice. Errors and omission excepted. Always make sure to use the most recent release.