



## 1PXL Cove Light XR RGB

1PXL Cove Light XR RGB offers even color with a wide beam angle of 120 degrees. Its slim profile and plug and play TX Connect system ensure high design flexibility. With auto-addressing ON/OFF function, this fixture maximizes the number of products that can be controlled within a standard DMX universe.



### Product Specifications

<b>Light Source</b>	12 High intensity SMT LEDs
<b>Color Range</b>	16.7 million additive RGB color
<b>Color Resolution</b>	14-bit (Gamma correction)
<b>Beam Angle</b>	120°
<b>Luminous Flux</b>	83 lm
<b>Efficacy</b>	22 lm/W
<b>Lumen Maintenance</b>	L70 @25°C - 50,000hrs
<b>Cover Lens</b>	Transparent PC
<b>LED Pitch</b>	24.5mm / 0.96"
<b>Housing</b>	Beige ABS backcase
<b>Adjustment Options</b>	180° swing angle
<b>Dimensions (L x W x H)</b>	295 x 44.7 x 35mm 11.61" x 1.76" x 1.38"
<b>Weight</b>	0.2kg / 0.44lbs
<b>Regulatory Listing &amp; Safety Approval</b>	CE, FCC, cETLus
<b>Operating Temperature</b>	0°C to +40°C / 32°F to +104°F
<b>Storage Temperature</b>	-20°C to +70°C / -4°F to +158°F
<b>Environment</b>	Indoor
<b>Humidity</b>	0-90%, non-condensing

### Electrical Specifications

<b>Input Voltage</b>	24V DC
<b>Power Consumption</b>	6W max.

### System Specifications

<b>Power / Data Interface</b>	TX Connect Smart
<b>Control</b>	DMX512, 3 channels per pixel
<b>Power Supply</b>	LED Engine Smart 100W Indoor
<b>Addressing Options</b>	Auto Addressing ON/OFF

**LED CHARACTERISTICS** Because LEDs are semiconductor devices, their performances are subject to inherent variability commonly found in semiconductor industry. To improve consistency in performance across the same product, LED manufacturers "sort" LEDs into bins according to different preset parameters, such as forward driving voltage, illumination, etc. Whereas binning is a sorting function, it is not a correction process. Inherent variability in the manufacturing process results always in different binning distributions according to different production lots. Traxon uses automatically binned LEDs on its products, thereby minimizing output variations within the model range.

As with all electronic devices, LED output degrades over time – a term called lumen depreciation. This also explains why it is nearly impossible to expect photometric performances of two LED products with different service life spans to be the same. The rate of LED degrade is a complicate function of many factors such as operating efficiency, duration of continuous operation, and more significantly, environmental conditions (ambient temperature for example). If allowed working under optimal operating temperature range and with good ventilation, LED devices enjoy long service lives over conventional light sources. When using/installing LED devices, care should be taken to ensure that the devices will operate within the operating conditions specified in respective product literature.

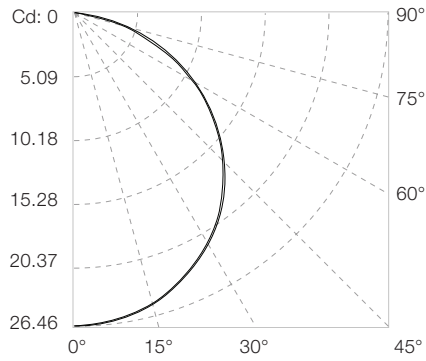
Lumen measurement complies with LM-79-08 standard.  
 Lumen maintenance is calculated based on LM-80 compliant measurement.

[www.traxontechnologies.com](http://www.traxontechnologies.com)

©2016 TRAXON TECHNOLOGIES - AN OSRAM BUSINESS. ALL RIGHTS RESERVED. TRAXON™, TX CONNECT®, ARE TRADEMARKS OF TRAXON TECHNOLOGIES. U.S. PATENTS, E.U. PATENTS, JAPAN PATENTS, OTHER PATENTS PENDING. SPECIFICATIONS ARE SUBJECT TO CHANGE WITHOUT NOTICE.

### Candela Distribution

### Light Output



- Measured on: White
- Beam angle (50% I<sub>max</sub>): 110.8°

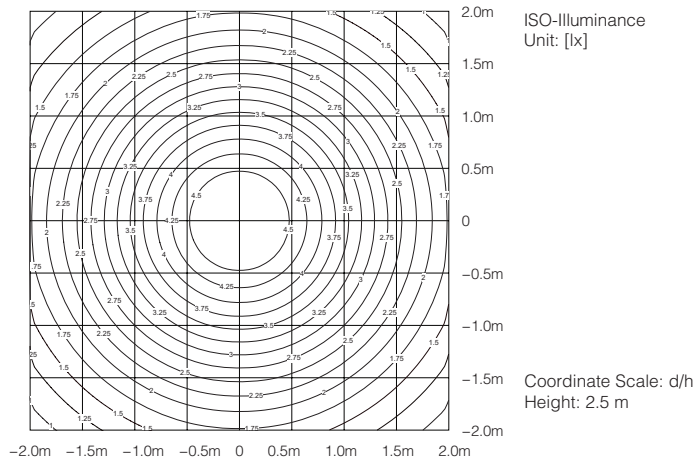
Color	Luminous Flux (lumens)	Power (Watts)	Efficacy (lm/W)
White	82.90	3.74	22.17
Red	26.09	1.49	17.51
Green	50.31	1.89	26.62
Blue	9.25	1.08	8.56

### Illuminance

Distance	10cm/3.9"	25cm/9.8"	50cm/19.7"	72cm/29.5"	100cm/39.4"
Lux	3023	484	121	54	30
50% I <sub>max</sub> (diameter)	29cm/11.4"	72cm/28.3"	145cm/57.1"	217cm/85.4"	290cm/114.2"

• Measured on: White

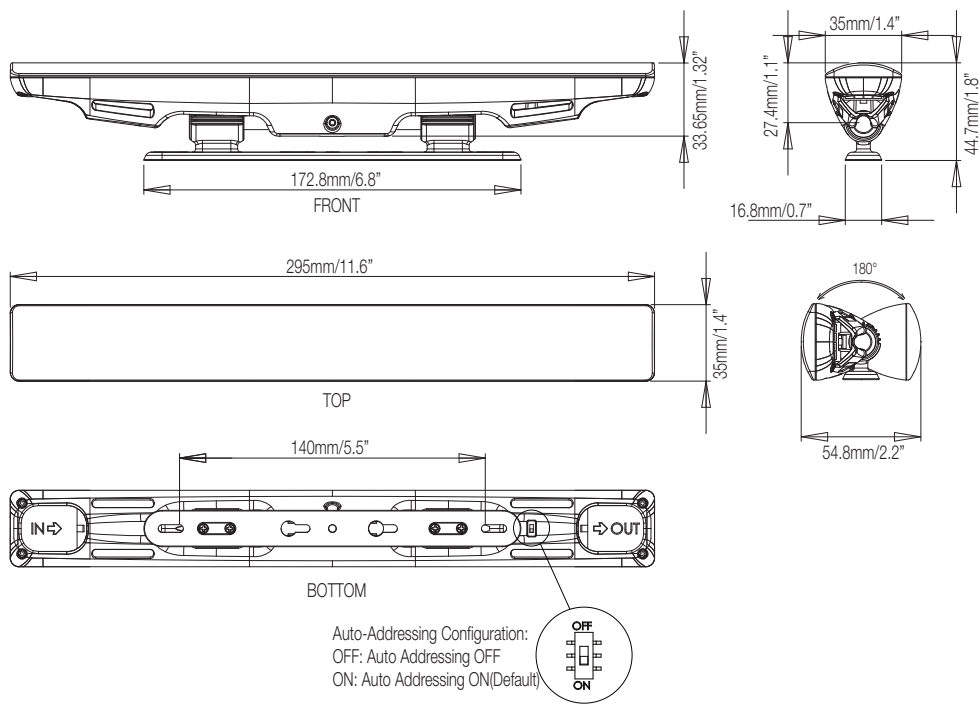
### Illuminance at a Distance



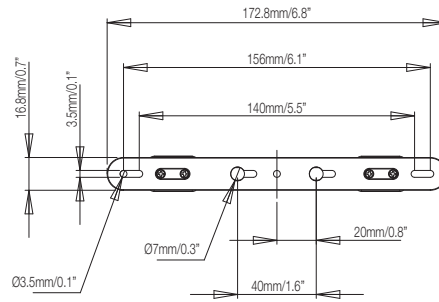
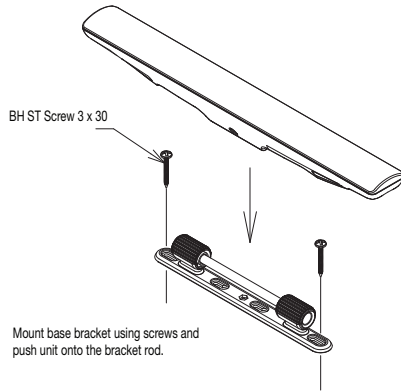
Photometric measurements are carried out by an independent laboratory. IES and LDT files are available for download from the Traxon website.

## 1PXL Cove Light XR RGB

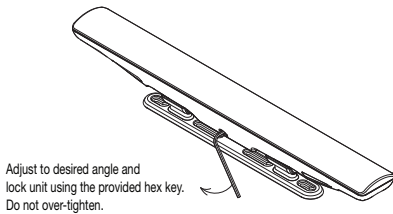
## Dimensions



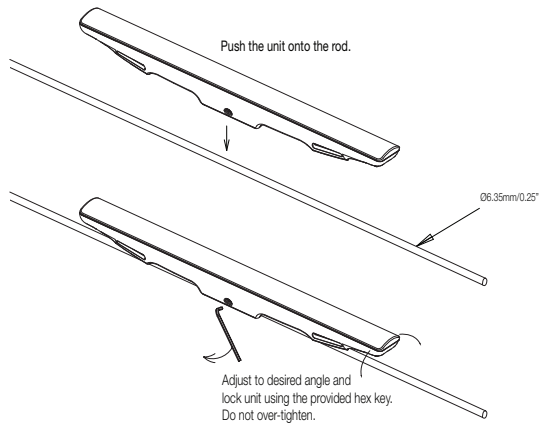
### Mounting with Base Bracket



Base bracket dimensions  
(Bottom view)



### Alternative Mounting Method



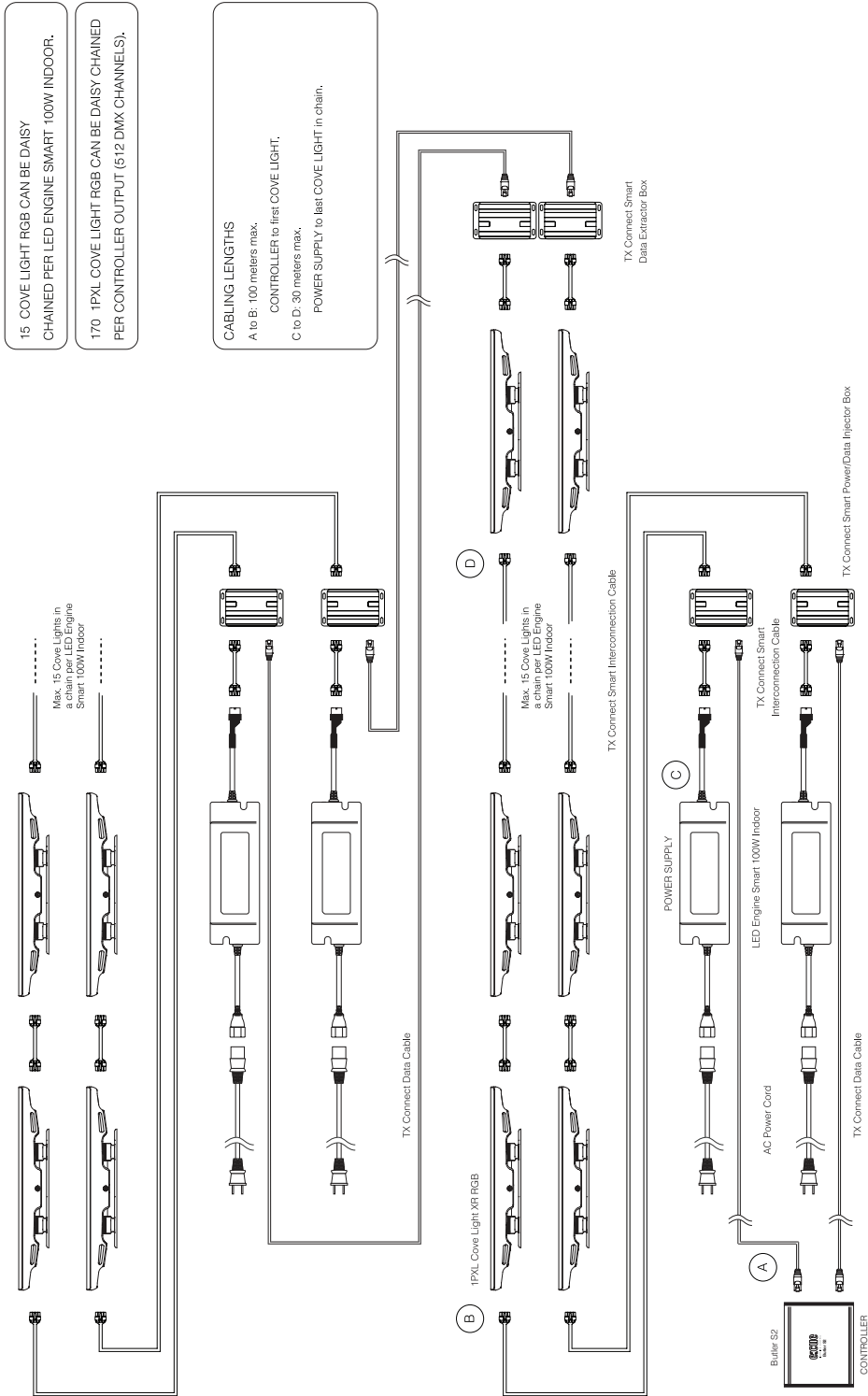
### Mounting Accessories



2 X BH ST 3x30 Screw

[www.traxontechnologies.com](http://www.traxontechnologies.com)

©2016 TRAXON TECHNOLOGIES - AN OSRAM BUSINESS. ALL RIGHTS RESERVED. TRAXON™, TX CONNECT®, ARE TRADEMARKS OF TRAXON TECHNOLOGIES. U.S. PATENTS, E.U. PATENTS, JAPAN PATENTS, OTHER PATENTS PENDING. SPECIFICATIONS ARE SUBJECT TO CHANGE WITHOUT NOTICE.



15 COVE LIGHT RGB CAN BE DAISY CHAINED PER LED ENGINE SMART 100W INDOOR.

170 1PXL COVE LIGHT RGB CAN BE DAISY CHAINED PER CONTROLLER OUTPUT (512 DMX CHANNELS).

CABLE LENGTHS  
A to B: 100 meters max.  
CONTROLLER to first COVE LIGHT.  
C to D: 30 meters max.  
POWER SUPPLY to last COVE LIGHT in chain.

# 1PXL Cove Light XR RGB

Ordering

## Fixtures

Model No.	Description	Item Code
MB.CL.5010100	1PXL Cove Light XR RGB	A6334660155

## Standard Accessories (included in delivery)

Model No.	Description	Item Code
TI.IC.0004000	TX CONNECT Smart Indoor Interconnection Cable, 4cm/1.57"	AA438900055
N/A	1x Cove Light Mounting Kit (2x Screws, 1x 3mm Hex Key)	N/A

## TX Control

Model No.	Description	Item Code
EN.BU.0000001	Butler S2	AB436200031

## TX Connect

Model No.	Description	Item Code
TI.ZI.0000100	TX CONNECT Smart Power/Data Injector Box	A704836003J
TI.DO.0000100	TX CONNECT Smart Data Extractor Box	A704842003J
TI.EC.0050000	TX CONNECT Smart Indoor Extension Cable, 0.5m/1.64ft	AA556350055
TI.EC.0100000	TX CONNECT Smart Indoor Extension Cable, 1m/3.28ft	A6342330055
TI.EC.0300000	TX CONNECT Smart Indoor Extension Cable, 3m/9.84ft	A6342410055
TI.EC.0500000	TX CONNECT Smart Indoor Extension Cable, 5m/16.4ft	AA580410055
TI.EC.1000000	TX CONNECT Smart Indoor Extension Cable, 10m/32.8ft	A6342680055
DI.IC.0100000	TX CONNECT Data Cable, 1m/3.28ft	AA556130055

## TX Power

Model No.	Description	Item Code
PS.IA.0010000	LED Engine Smart 100W Indoor	AA624090055
PS.AC.0000100	AC Power Cord, 2m/6.6ft (EU)	AA553860055
PS.AC.0000200	AC Power Cord, 2m/6.6ft (US)	AA556290055
PS.AC.0000300	AC Power Cord, 2m/6.6ft (UK)	AA556300155
PS.AC.0000400	AC Power Cord, 2m/6.6ft (AU)	AA556310055



©2016 TRAXON TECHNOLOGIES - AN OSRAM BUSINESS. ALL RIGHTS RESERVED. TRAXON™, TX CONNECT®, ARE TRADEMARKS OF TRAXON TECHNOLOGIES. U.S. PATENTS, E.U. PATENTS, JAPAN PATENTS, OTHER PATENTS PENDING. SPECIFICATIONS ARE SUBJECT TO CHANGE WITHOUT NOTICE.