

ELEMENT

Constant Voltage – Non dimmable



Areas of application

- Suitable for luminaires of protection class II
- Decorative lighting in hospitality, restaurants and Shops
- Shelf lighting for shops
- Cove lighting
- Under cabinet lighting

Product benefits

- Large output power range: up to 90 W
- Compatible with OSRAM Flex products
- Excellent price/performance ratio

Product features

- Lifetime: up to 50,000 h (temperature at $t_c = 75\text{ °C}$)
- Overtemperature protection
- Overload protection

Product family datasheet

Technical data

Electrical data

| Product description | Nominal voltage | Mains frequency | Input voltage AC | Total harmonic distortion | Power factor λ | ECG efficiency |
|-------------------------|-----------------|-----------------|------------------|---------------------------|------------------------|----------------|
| ELEMENT 30/220...240/24 | 220...240 V | 50...60 Hz | 198...264 V | < 20 % | > 0.90 | 86 % |
| ELEMENT 60/220...240/24 | 220...240 V | 50...60 Hz | 198...264 V | < 20 % | > 0.90 | 86 % |
| ELEMENT 90/220...240/24 | 220...240 V | 50...60 Hz | 198...264 V | < 20 % | > 0.90 | 87 % |

| Product description | Device power loss | Protective conductor current | Inrush current | Max. ECG no. on circuit breaker 10 A (B) | Max. ECG no. on circuit breaker 16 A (B) |
|-------------------------|-------------------|------------------------------|----------------|--|--|
| ELEMENT 30/220...240/24 | 4.2 W | <0.7 mA | <8 A | 17 | 28 |
| ELEMENT 60/220...240/24 | 8.4 W | <0.7 mA | < 23 A | 10 | 16 |
| ELEMENT 90/220...240/24 | 11.7 W | <0.7 mA | < 43 A | 9 | 11 |

| Product description | Max. ECG no. on circuit breaker 25 A (B) | Surge capability (L-N) | Nominal output voltage | U-OUT (working voltage) | Nominal output power |
|-------------------------|--|------------------------|------------------------|-------------------------|----------------------|
| ELEMENT 30/220...240/24 | 47 | 1 kV | 24 V | 24 V | 30 W |
| ELEMENT 60/220...240/24 | 27 | 1 kV | 24 V | 24 V | 60 W |
| ELEMENT 90/220...240/24 | 18 | 1 kV | 24 V | 24 V | 90 W |

| Product description | Galvanic isolation | Galvanic isolation primary/secondary |
|-------------------------|--------------------|--------------------------------------|
| ELEMENT 30/220...240/24 | SELV | 3 kV |
| ELEMENT 60/220...240/24 | SELV | 3 kV |
| ELEMENT 90/220...240/24 | SELV | 3 kV |

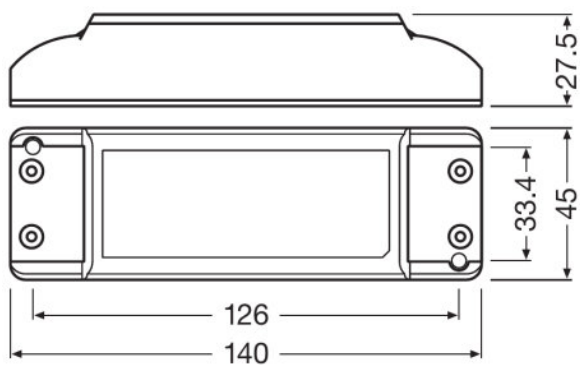
Dimensions & weight

| Product description | Length | Width | Height | Product weight | Cable cross-section, input side |
|-------------------------|----------|---------|---------|----------------|---------------------------------|
| ELEMENT 30/220...240/24 | 140.0 mm | 45.0 mm | 27.5 mm | 145.00 g | 0.75...1.5 mm ² |
| ELEMENT 60/220...240/24 | 238.9 mm | 45.5 mm | 30.0 mm | 231.00 g | 0.75...1.5 mm ² |
| ELEMENT 90/220...240/24 | 230.0 mm | 60.0 mm | 35.0 mm | 564.00 g | 0.75...1.5 mm ² |

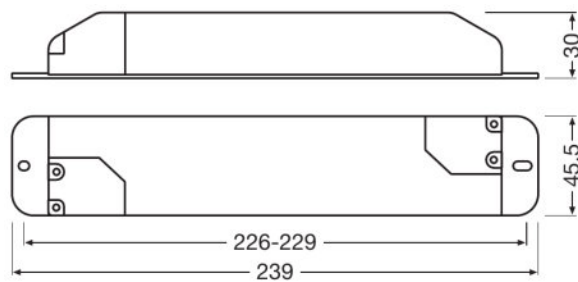
| Product description | Cable cross-section, output side | Wire preparation length, input side | Wire preparation length, output side |
|-------------------------|----------------------------------|-------------------------------------|--------------------------------------|
| ELEMENT 30/220...240/24 | 0.75...1.5 mm ² | 8.0 mm | 8.0 mm |
| ELEMENT 60/220...240/24 | 0.75...1.5 mm ² | 8.0 mm | 8.0 mm |
| ELEMENT 90/220...240/24 | 0.75...1.5 mm ² | 8.0 mm | 8.0 mm |

Product family datasheet

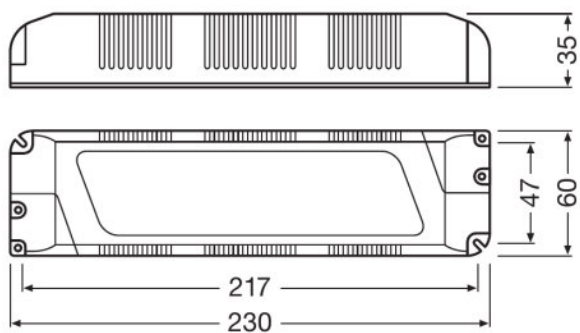
Product line drawing



ELEMENT 30/220...240/24



ELEMENT 60/220...240/24



ELEMENT 90/220...240/24

Product family datasheet

Colors & materials

| Product description | Casing material |
|-------------------------|-----------------|
| ELEMENT 30/220...240/24 | Plastic |
| ELEMENT 60/220...240/24 | Plastic |
| ELEMENT 90/220...240/24 | Plastic |

Temperatures & operating conditions

| Product description | Ambient temperature range | Maximum temperature at tc test point | Max.housing temperature in case of fault | Permitted rel. humidity during operation |
|-------------------------|---------------------------|--------------------------------------|--|--|
| ELEMENT 30/220...240/24 | -20...+45 °C | 85 °C | 110 °C | 5...85 % ¹⁾ |
| ELEMENT 60/220...240/24 | -20...+50 °C | 85 °C | 110 °C | 5...85 % ¹⁾ |
| ELEMENT 90/220...240/24 | -20...+50 °C | 85 °C | 110 °C | 5...85 % ¹⁾ |

¹⁾ Maximum 56 days/year at 85 %

Lifespan

| Product description | ECG lifetime |
|-------------------------|-----------------------|
| ELEMENT 30/220...240/24 | 50000 h ¹⁾ |
| ELEMENT 60/220...240/24 | 50000 h ¹⁾ |
| ELEMENT 90/220...240/24 | 50000 h ¹⁾ |

¹⁾ $T_c = 75^\circ\text{C}$, with max. 10% failure rate

Additional product data

| Product description | Encapsulated |
|-------------------------|--------------|
| ELEMENT 30/220...240/24 | Yes |
| ELEMENT 60/220...240/24 | Yes |
| ELEMENT 90/220...240/24 | Yes |

Capabilities

| Product description | Dimmable | Overheating protection | Overload protection | | |
|-------------------------|----------|------------------------|---------------------|--|--|
| ELEMENT 30/220...240/24 | No | Yes | Yes | | |
| ELEMENT 60/220...240/24 | No | Yes | Yes | | |
| ELEMENT 90/220...240/24 | No | Yes | Yes | | |

| Product description | Short-circuit protection | No-load proof | Suitable for fixtures with prot. class | Type of connection, output side |
|-------------------------|--------------------------|---------------|--|---------------------------------|
| ELEMENT 30/220...240/24 | Yes | Yes | II | Fixed connection (terminal) |
| ELEMENT 60/220...240/24 | Yes | Yes | II | Fixed connection (terminal) |

Product family datasheet

| Product description | Short-circuit protection | No-load proof | Suitable for fixtures with prot. class | Type of connection, output side |
|-------------------------|--------------------------|---------------|--|---------------------------------|
| ELEMENT 90/220...240/24 | Yes | Yes | II | Fixed connection (terminal) |

Certificates & standards

| Product description | Approval marks – approval |
|-------------------------|---------------------------|
| ELEMENT 30/220...240/24 | CE |
| ELEMENT 60/220...240/24 | CE |
| ELEMENT 90/220...240/24 | CE |

| Product description | Standards | Protection class |
|-------------------------|---|------------------|
| ELEMENT 30/220...240/24 | Acc. to IEC 61347-1/Acc. to IEC 61347-2-13/Acc. to IEC 62384/Acc. to IEC 61000-3-2/Acc. to CISPR 15/Acc. to IEC 61000-3-3/Acc. to IEC 61547 | II |
| ELEMENT 60/220...240/24 | Acc. to IEC 61347-1/Acc. to IEC 61347-2-13/Acc. to IEC 62384/Acc. to IEC 61000-3-2/Acc. to CISPR 15/Acc. to IEC 61000-3-3/Acc. to IEC 61547 | II |
| ELEMENT 90/220...240/24 | Acc. to IEC 61347-1/Acc. to IEC 61347-2-13/Acc. to IEC 62384/Acc. to IEC 61000-3-2/Acc. to CISPR 15/Acc. to IEC 61000-3-3/Acc. to IEC 61547 | II |

| Product description | Type of protection |
|-------------------------|--------------------|
| ELEMENT 30/220...240/24 | IP20 |
| ELEMENT 60/220...240/24 | IP20 |
| ELEMENT 90/220...240/24 | IP20 |

Logistical data

| Product description | Temperature range at storage |
|-------------------------|------------------------------|
| ELEMENT 30/220...240/24 | -40...85 °C |
| ELEMENT 60/220...240/24 | -40...85 °C |
| ELEMENT 90/220...240/24 | -40...85 °C |

Application advice







For more detailed application information and graphics please see product datasheet.

Sales and Technical Support

Sales and Technical Support www.osram.com

Download Data

Product family datasheet

| File | |
|---|---|
|  | Product Datasheet 728237_Datasheet ELEMENT 3024 |
|  | Brochures 730792_Light is universal - Easy installation of efficient complete systems (DE) |
|  | Brochures 730791_Light is universal - Easy installation of efficient complete systems (EN) |
|  | Declarations of conformity 727241_EC ELEMENT |
|  | Product Datasheet 728238_Datesheet ELEMENT 6024 |
|  | Product Datasheet 728239_Datesheet ELEMENT 9024 |

Logistical Data

| Product code | Product description | Packaging unit (Pieces/Unit) | Dimensions (length x width x height) | Volume | Gross weight |
|---------------|----------------------------|------------------------------|--------------------------------------|-----------------------|--------------|
| 4052899463776 | ELEMENT 30/220...240/24 | Shipping carton box 20 | 242 mm x 153 mm x 162 mm | 6.00 dm ³ | 3180.00 g |
| 4052899463790 | ELEMENT 60/220...240/24 | Shipping carton box 20 | 255 mm x 244 mm x 177 mm | 11.01 dm ³ | 5182.00 g |
| 4052899463813 | ELEMENT 90/220...240/24 | Shipping carton box 20 | 317 mm x 244 mm x 197 mm | 15.24 dm ³ | 11956.00 g |

The mentioned product code describes the smallest quantity unit which can be ordered. One shipping unit can contain one or more single products. When placing an order, for the quantity please enter single or multiples of a shipping unit.

Disclaimer

Subject to change without notice. Errors and omission excepted. Always make sure to use the most recent release.