

traxon



## Wall Washer XB RGB / Wash XB RGB<sup>1</sup>

<p>XB.WD.xxxxxxx XB.WE.xxxxxxx</p>	<p>The Wall Washer XB RGB is a stylish high-power lighting fixture packed with Luxeon® LEDs that generates high brightness single color or color changing light for a rich wall-washing effect. The Wall Washer XB RGB is suitable indoor or outdoor use and equipped with a host of customization options including LED type, LED color, beam angles, and lenses.</p>	<p>LUXEON LUXEON LUXEON</p> <p>CE</p> <p>IP65</p>
--	--	---

### PRODUCT SPECIFICATIONS

- **Light Source:** WD: 18 High intensity power LEDs  
WE: 36 High intensity power LEDs
- **Color Range:** 16.7 million additive RGB colors
- **Color Resolution:** 3 x 8-bit continuously variable intensity output range
- **Color Options<sup>2</sup>:** RGB, red, green, blue
- **Beam Angle<sup>3</sup>:** 10°, 20°, 30°, 40°, 40°x10°, open beam
- **Luminous Flux<sup>4</sup>:** 1013 lm (30° optics)
- **Efficacy<sup>4</sup>:** 18.8 lm/W (30° optics)
- **Cover Lens:** Clear tempered glass
- **Housing:** Aluminium extrusion
- **Adjustment Options:** 110° (unit swing), 170° (unit base)
- **Size:** WD: 200mm (L) x 122.5mm (W) x 147mm (H) / 7.87" (L) x 4.82" (W) x 5.79" (H)  
WE: 374mm (L) x 122.5mm (W) x 147mm (H) / 14.72" (L) x 4.82" (W) x 5.79" (H)
- **Weight:** WD: 1.8kg / 4.0lbs  
WE: 3.0kg / 6.6lbs
- **Regulatory Listing & Safety Approval:** CE, cTUVus
- **Operating Temperature:** -20°C to +50°C / -4°F to +122°F
- **Storage Temperature:** -40°C to +70°C / -40°F to +158°F
- **Environment:** Outdoor (IP65)
- **Humidity:** 85%, non-condensing

### ELECTRICAL SPECIFICATIONS

- **Constant Current:** 350mA
- **Power Consumption:** WD: 21W typ. / 27W max.  
WE: 42W typ. / 54W max.

### SYSTEM SPECIFICATIONS

- **Power/Data Interface:** TX CONNECT XB Indoor/Outdoor
- **Control:** DMX512 or standalone control by preset programs on LED Engine XB-SD
- **Power Supply:** LED Engine XB-SD

1. Model name in North America  
2. Red, Green and Blue options available upon request. Please contact your regional office for more information.  
3. FWHM. Corrected notation to previous specifications, 10 was 6; 20 was 15; 30 was 25; 40 was 40; 40x10 was 25x6.  
4. Based on photometric data and maximum power consumption of Wall Washer XB-36

**LED CHARACTERISTICS** Because LEDs are semiconductor devices, their performances are subject to inherent variability commonly found in semiconductor industry. To improve consistency in performance across the same product, LED manufacturers "sort" LEDs into bins according to different preset parameters, such as forward driving voltage, illumination, etc. Whereas binning is a sorting function, it is not a correction process. Inherent variability in the manufacturing process results always in different binning distributions according to different production lots. Traxon uses automatically binned LEDs on its products, thereby minimizing output variations within the model range.

As with all electronic devices, LED output degrades over time – a term called lumen depreciation. This also explains why it is nearly impossible to expect photometric performances of two LED products with different service life spans to be the same. The rate of LED degrade is a complicate function of many factors such as operating efficiency, duration of continuous operation, and more significantly, environmental conditions (ambient temperature for example). If allowed working under optimal operating temperature range and with good ventilation, LED devices enjoy long service lives over conventional light sources. When using/installing LED devices, care should be taken to ensure that the devices will operate within the operating conditions specified in respective product literature.



SOURCE SPECIFICATIONS

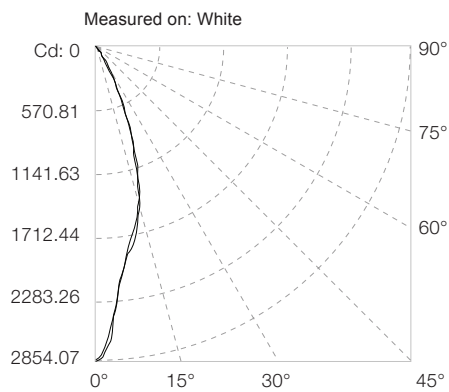
Source: 36 LEDs RGB (12xR, 12xG, 12xB)

Optics: 30°

Cover Lens: Clear glass cover

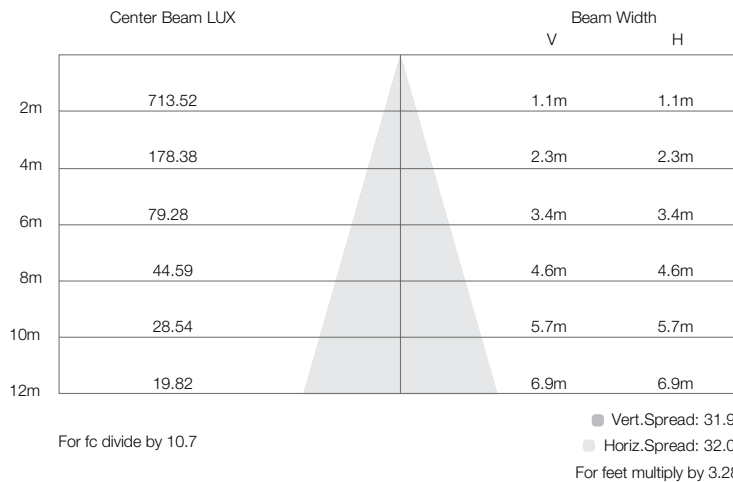
CANDELA DISTRIBUTION

LIGHT OUTPUT



Color	Luminous Flux (lm)
White	1012.56
Red	263.22
Green	682.39
Blue	104.64

ILLUMINANCE AT A DISTANCE



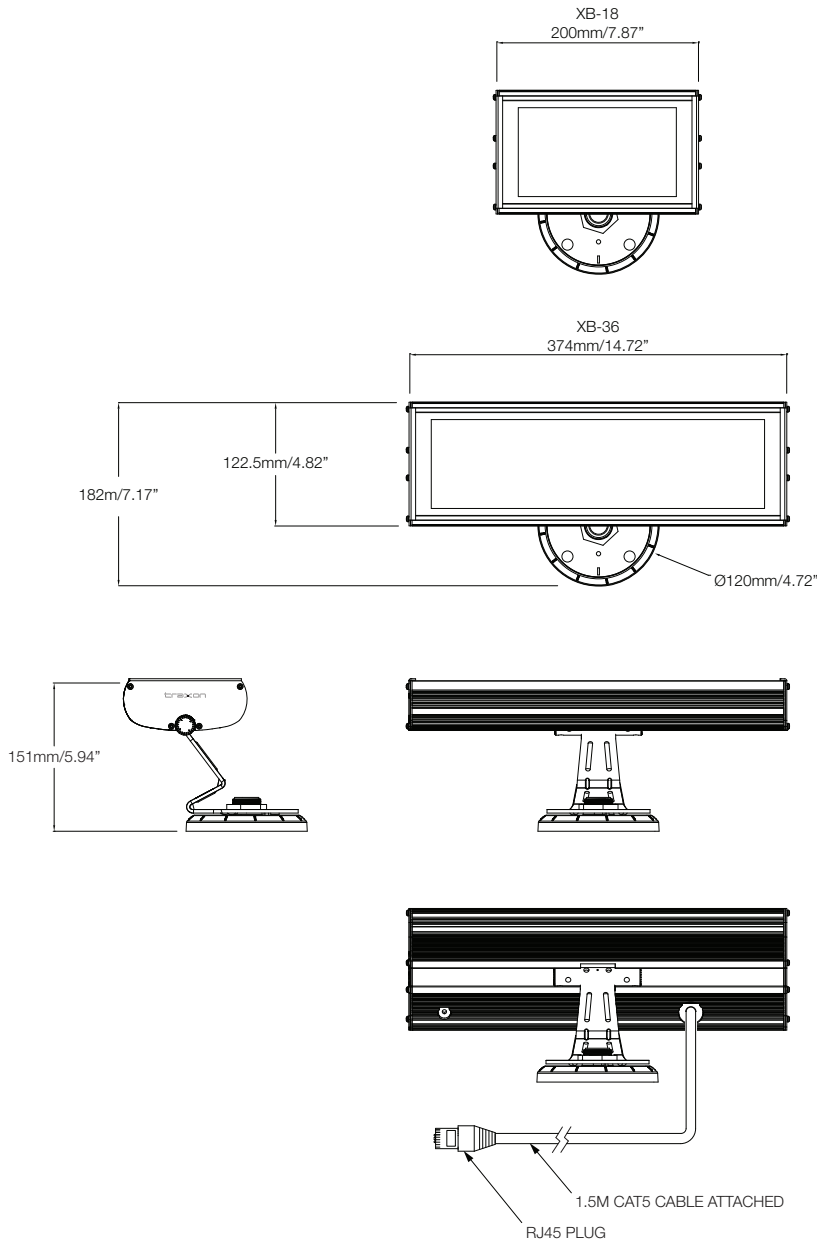
Measurements for other optics, IES and LDT files are available for download from the Traxon website

WWW.TRAXONTECHNOLOGIES.COM

©2012 TRAXON TECHNOLOGIES ALL RIGHTS RESERVED. TRAXON™, TX CONNECT™, LUXILED™ ARE TRADEMARKS OF TRAXON TECHNOLOGIES. U.S. PATENTS, E.U. PATENTS, JAPAN PATENTS, OTHER PATENTS PENDING. SPECIFICATIONS ARE SUBJECT TO CHANGE WITHOUT NOTICE.



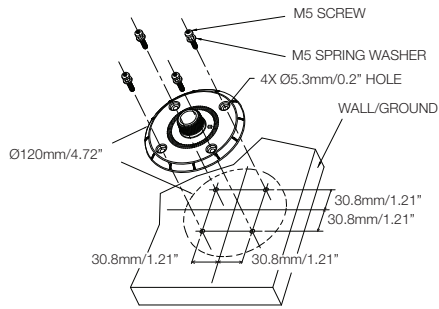
TECHNICAL DRAWING



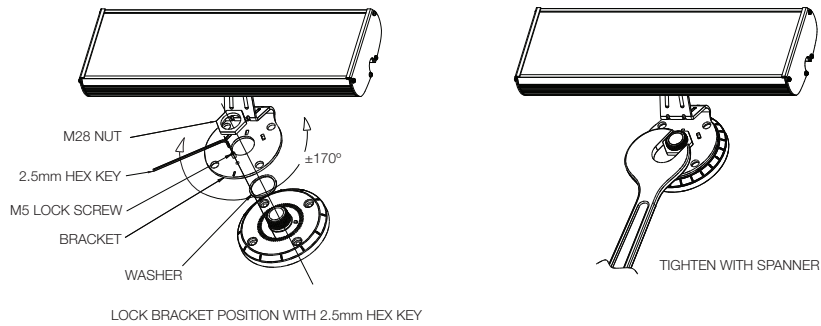


TECHNICAL DRAWING

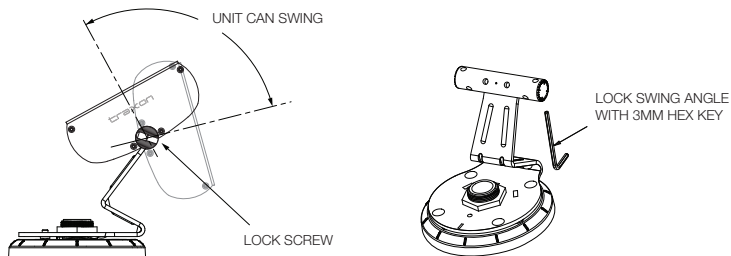
1 Mount baseplate.



2 Position unit and tighten nut.

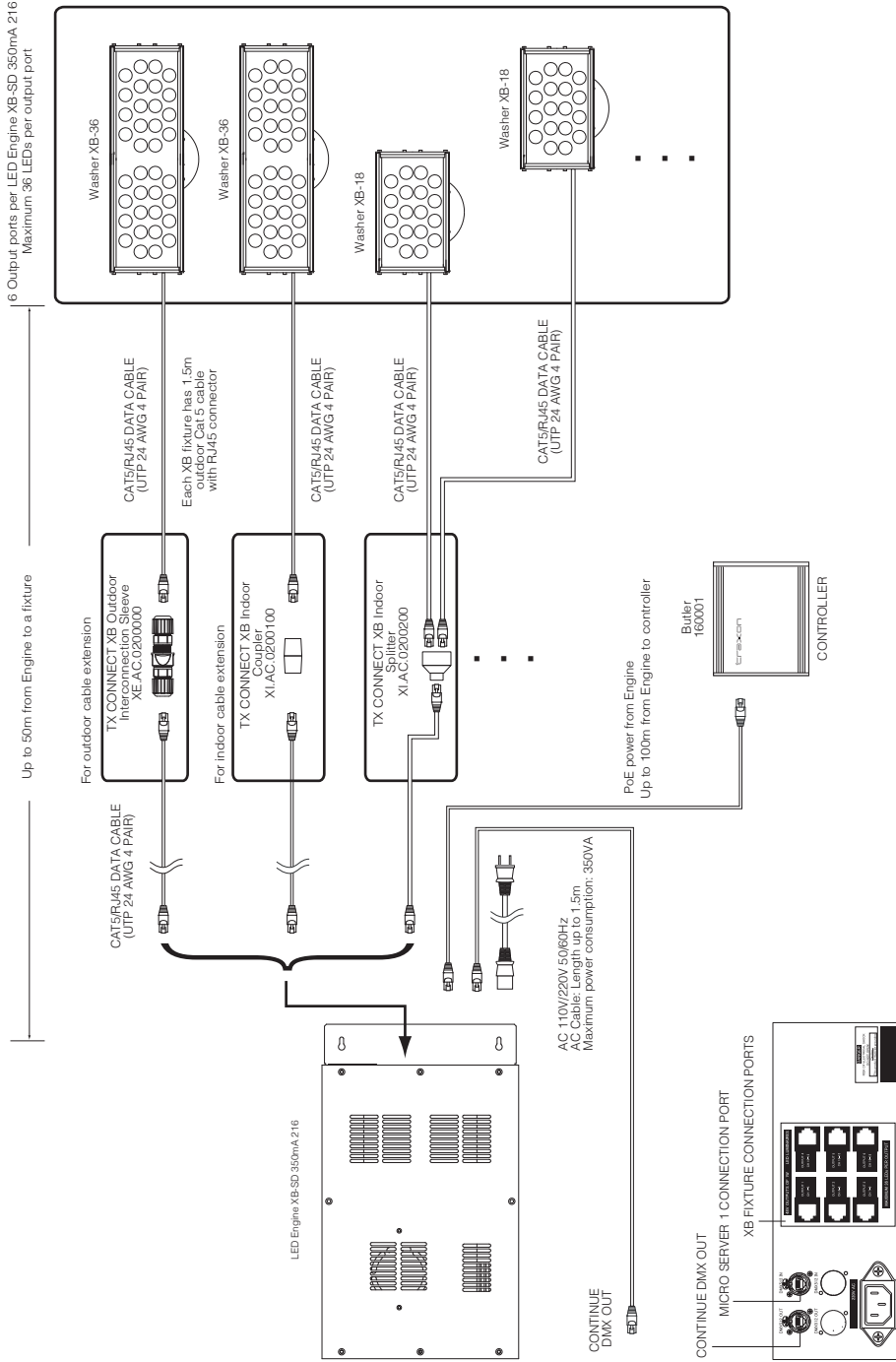


3 Choose swing angle and lock.





SYSTEM DIAGRAM



NOTE:  
1. LED ENGINE SHOULD BE PLACED IN PROPER CONDITION.  
2. LED NUMBER PER EACH LED TYPES PER LED ENGINE IS 36.  
3. MAXIMUM CABLE LENGTH FROM LED ENGINE TO ANY FIXTURE IS 50 METERS.

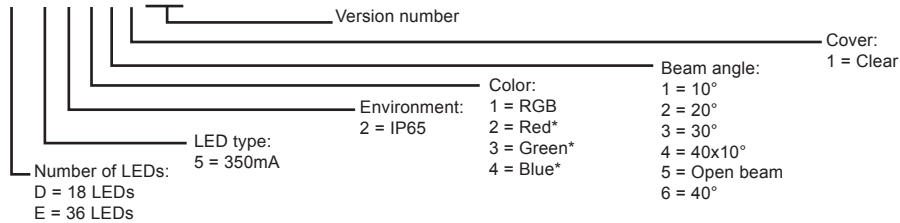


Wall Washer XB RGB / Wash XB RGB

Accessories

**MODEL NUMBER**

X B . W x . 5 2 x x x x x



\*Available upon request. Please contact your regional office for more information.

**STANDARD ACCESSORIES (included in delivery)**

Model No.	Description
	Wall Washer XB unit with 1.5m/4.92ft cable attached and mounting brackets

**TX CONTROL**

Model No.	Description
160001	Butler
SC.CD.5000000	Light-Drive RGB (Black)
SC.CD.5000100	Light-Drive RGB (White)

**TX CONNECT**

Model No.	Description
XI.IC.1000000	TX CONNECT XB Interconnection Cable (10m/32.8ft)
XI.IC.2000000	TX CONNECT XB Interconnection Cable (20m/65.6ft)
XI.AC.0200200	TX CONNECT XB Splitter
XI.AC.0200100	TX CONNECT XB Coupler
XE.AC.0200000	TX CONNECT XB Outdoor Interconnection Sleeve
DI.IC.0020000	TX CONNECT Data Cable (20cm/0.65ft)
DI.IC.0100000	TX CONNECT Data Cable (1m/3.28ft)
DI.IC.0200000	TX CONNECT Data Cable (3m/9.84ft)
DI.IC.0500000	TX CONNECT Data Cable (5m/16.4ft)
DI.IC.1000000	TX CONNECT Data Cable (10m/32.8ft)
DI.IC.2000000	TX CONNECT Data Cable (20m/65.6ft)

**TX POWER**

Model No.	Description
PX.IC.5060100	LED Engine XB-SD 350mA 216 220V
PX.IC.5060200	LED Engine XB-SD 350mA 216 110V
PX.ID.5120100	LED Engine XB-SD Rackmount 350mA 432 220V
PX.ID.5120200	LED Engine XB-SD Rackmount 350mA 432 110V
PS.AC.0000x00	AC Power Cord (2m/6.6ft); 1=EU, 2=US, 3=UK, 4=AU, 5=JP

WWW.TRAXONTECHNOLOGIES.COM

©2012 TRAXON TECHNOLOGIES ALL RIGHTS RESERVED. TRAXON™, TX CONNECT™, LUXILED™ ARE TRADEMARKS OF TRAXON TECHNOLOGIES. U.S. PATENTS, E.U. PATENTS, JAPAN PATENTS, OTHER PATENTS PENDING. SPECIFICATIONS ARE SUBJECT TO CHANGE WITHOUT NOTICE.