

traxon



Nano Liner XB RGB Series  
Low Profile XB RGB Series<sup>1</sup>

XB.NF.xxxxxxx  
XB.NG.xxxxxxx  
XB.NH.xxxxxxx  
XB.NI.xxxxxxx

The Nano Liner XB RGB series is a slim-profile high-power linear fixture range equipped with 9, 18, 27, or 36 Luxeon® LEDs. Owing to its miniature-sized housing, it is ideal for space restricting installations requiring the projection of an intense and even light output on walls or any flat surfaces. This indoor fixture can be adjusted in LED color and beam angle.



PRODUCT SPECIFICATIONS

- **Light Source:** NF: 9 High intensity power LEDs  
NG: 18 High intensity power LEDs  
NH: 27 High intensity power LEDs  
NI: 36 High intensity power LEDs
- **Color Range:** 16.7 million additive RGB colors
- **Color Resolution:** 3 x 8-bit continuously variable intensity output range
- **Color Options:** RGB, red, green, blue
- **Beam Angle<sup>2</sup>:** 10°, 20°, 30°, 40°, 40°x10°, open beam
- **Luminous Flux<sup>3</sup>:** 833 lm (40°x10° optics)
- **Efficacy<sup>3</sup>:** 20.3 lm/W (40°x10° optics)
- **Cover Lens:** Clear PC cover (CAST-UV protected)
- **LED Pitch:** 36.8mm
- **Housing:** Aluminium extrusion
- **Adjustment Options:** Mounting dependant
- **Size:** NF: 345mm (L) x 35.7mm (W) x 39.2mm (H) / 13.6" (L) x 1.41" (W) x 1.54" (H)  
NG: 678mm (L) x 35.7mm (W) x 39.2mm (H) / 26.7" (L) x 1.41" (W) x 1.54" (H)  
NH: 1012mm (L) x 35.7mm (W) x 39.2mm (H) / 39.8" (L) x 1.41" (W) x 1.54" (H)  
NI: 1345mm (L) x 35.7mm (W) x 39.2mm (H) / 52.9" (L) x 1.41" (W) x 1.54" (H)
- **Weight:** NF: 0.5kg / 1.1lbs; NG: 1.0kg / 2.2lbs; NH: 1.5kg / 3.3lbs; NI: 2.0kg / 4.4lbs
- **Regulatory Listing & Safety Approval:** CE, cTUVus
- **Operating Temperature:** 0°C to +50°C / 32°F to +122°F
- **Storage Temperature:** -40°C to +70°C / -40°F to +158°F
- **Environment:** Indoor
- **Humidity:** 85%, non-condensing

ELECTRICAL SPECIFICATIONS

- **Constant Current:** 350mA
- **Power Consumption:** NF: 10.5W typ. / 14W max.  
NG: 21W typ. / 27W max.  
NH: 31W typ. / 41W max.  
NI: 42W typ. / 54W max.

SYSTEM SPECIFICATIONS

- **Power/Data Interface:** TX CONNECT XB Indoor
- **Control:** DMX512 or standalone control by preset programs on LED Engine XB-SD
- **Power Supply:** LED Engine XB-SD

1. Model name in North America.

2. FWHM. Corrected notation to previous specifications, 10 was 6; 20 was 15; 30 was 25; 40 was 40; 40x10 was 25x6.

3. Based on photometric data from Liner Shield AC XB-27 and maximum power consumption of this fixture.

**LED CHARACTERISTICS** Because LEDs are semiconductor devices, their performances are subject to inherent variability commonly found in semiconductor industry. To improve consistency in performance across the same product, LED manufacturers "sort" LEDs into bins according to different preset parameters, such as forward driving voltage, illumination, etc. Whereas binning is a sorting function, it is not a correction process. Inherent variability in the manufacturing process results always in different binning distributions according to different production lots. Traxon uses automatically binned LEDs on its products, thereby minimizing output variations within the model range.

As with all electronic devices, LED output degrades over time — a term called lumen depreciation. This also explains why it is nearly impossible to expect photometric performances of two LED products with different service life spans to be the same. The rate of LED degrade is a complicate function of many factors such as operating efficiency, duration of continuous operation, and more significantly, environmental conditions (ambient temperature for example). If allowed working under optimal operating temperature range and with good ventilation, LED devices enjoy long service lives over conventional light sources. When using/installing LED devices, care should be taken to ensure that the devices will operate within the operating conditions specified in respective product literature.



Nano Liner XB RGB Series  
Low Profile XB RGB Series

## Photometrics

Photometric data based on Liner Shield AC

### SOURCE SPECIFICATIONS

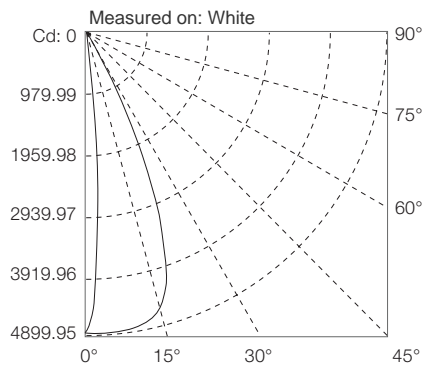
Source: 27 LEDs RGB (9xR, 9xG, 9xB)

Optics: 40° x 10°

Cover Lens: Clear PC

### CANDELA DISTRIBUTION

### LIGHT OUTPUT



Color	Luminous Flux (lm)
White	833
Red	245.06
Green	518.94
Blue	76.32

### ILLUMINANCE AT A DISTANCE

	Center Beam LUX	Beam Width	
		V	H
2m	1221.39	1.8m	0.3m
4m	305.35	3.6m	0.7m
6m	135.71	5.4m	1.0m
8m	76.34	7.2m	1.3m
10m	48.86	9.0m	1.6m
12m	33.93	10.8m	2.0m

For fc divide by 10.7

Vert. Spread: 48.5°

Horiz. Spread: 9.4°

For feet multiply by 3.28

Measurements for other optics, IES and LDT files are available for download from the Traxon website.

WWW.TRAXONTECHNOLOGIES.COM

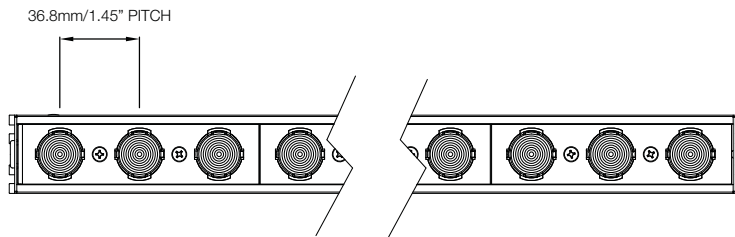
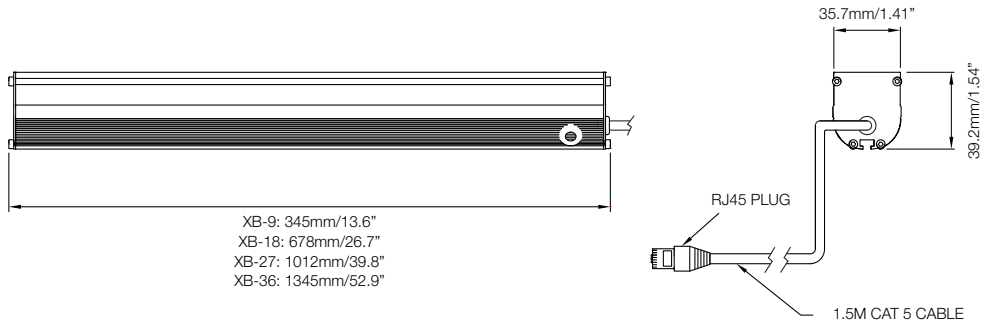
© 2010 TRAXON TECHNOLOGIES ALL RIGHTS RESERVED. TRAXON™, TX CONNECT™, LUXILED™ ARE TRADEMARKS OF TRAXON TECHNOLOGIES. U.S. PATENTS, E.U. PATENTS, JAPAN PATENTS, OTHER PATENTS PENDING. SPECIFICATIONS ARE SUBJECT TO CHANGE WITHOUT NOTICE.

traxon

 Nano Liner XB RGB Series  
Low Profile XB RGB Series

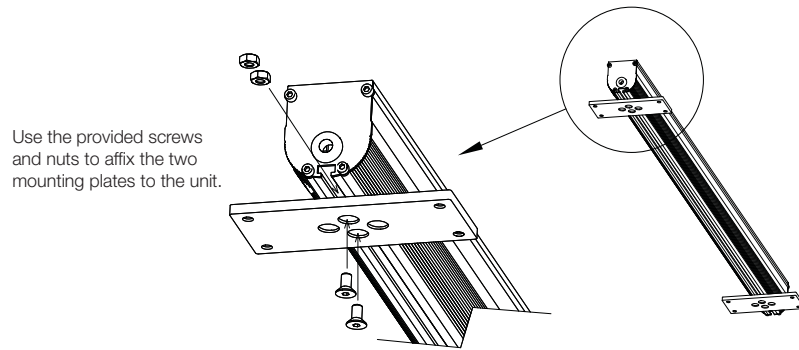
## Dimensions

### TECHNICAL DRAWING

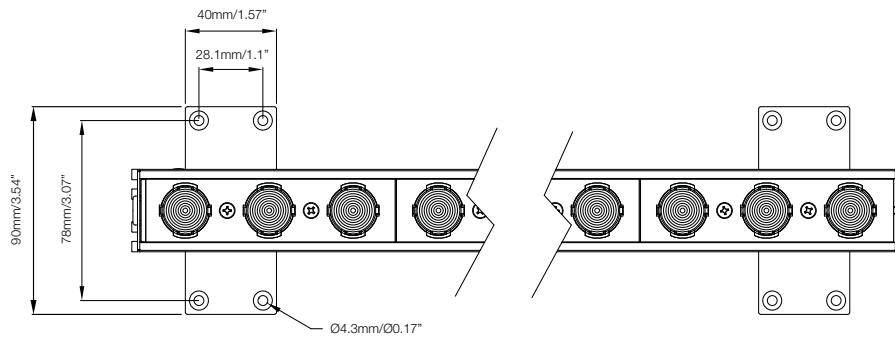


MOUNTING

1 Affix mounting plates to unit.



2 Fix screws at mounting plates to mount entire fixture.

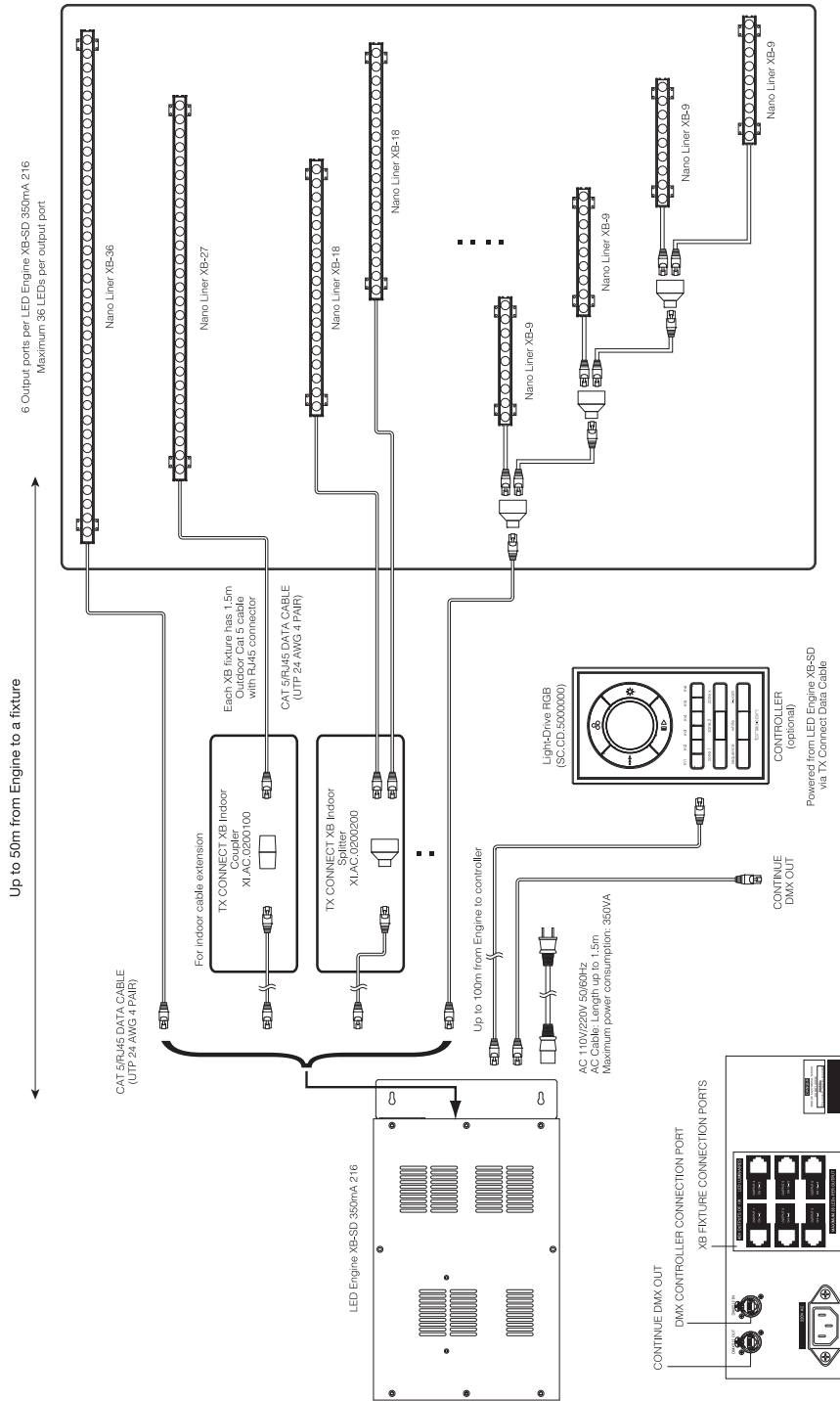


Optional Mounting Bracket  
(XB.AC.0000500)





SYSTEM DIAGRAM



- NOTE
1. XB ENGINE SHOULD BE PLACED IN INDOOR DRY CONDITION.
  2. MAXIMUM NUMBER OF 36-LED FIXTURES PER LED ENGINE XB-SD 350mA 216 IS 6 PCS.
  3. MAXIMUM CABLE LENGTH FROM LED ENGINE TO ANY XB FIXTURE IS 50 METERS.

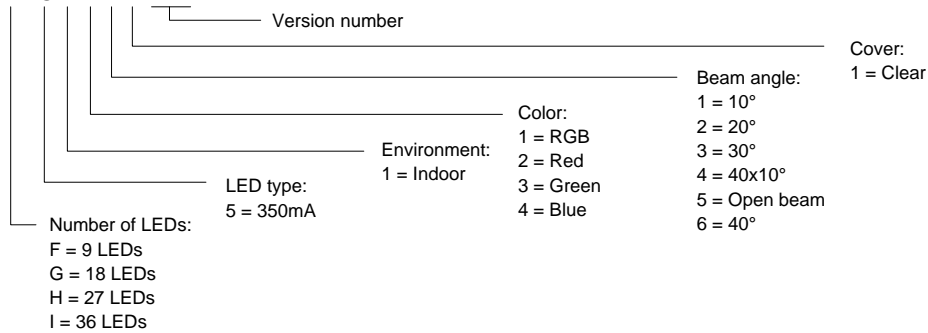


Nano Liner XB RGB Series  
Low Profile XB RGB Series

## Accessories

### MODEL NUMBER

**X B . N x . 5 1 x x x x x**



### STANDARD ACCESSORIES (included in delivery)

Model No.	Description
	Nano Liner XB with 1.5m/4.92ft cable attached, 2 mounting plates and screws.

### TX CONTROL

Model No.	Description
CS.MA.5000000	Micro Server
SC.CD.5000000	Light-Drive RGB (Black)

### OPTIONAL ACCESSORIES

Model No.	Description
XB.AC.0000500	XB Mounting Bracket 190°

### TX CONNECT

Model No.	Description
XI.IC.1000000	TX CONNECT XB Interconnection Cable (10m/32.8ft)
XI.IC.2000000	TX CONNECT XB Interconnection Cable (20m/65.6ft)
XI.AC.0200200	TX CONNECT XB Splitter
XI.AC.0200100	TX CONNECT XB Coupler
DI.IC.0020000	TX CONNECT Data Cable (20cm/0.65ft)
DI.IC.0100000	TX CONNECT Data Cable (1m/3.28ft)
DI.IC.0300000	TX CONNECT Data Cable (3m/9.84ft)
DI.IC.0500000	TX CONNECT Data Cable (5m/16.4ft)
DI.IC.1000000	TX CONNECT Data Cable (10m/32.8ft)
DI.IC.2000000	TX CONNECT Data Cable (20m/65.6ft)

### TX POWER

Model No.	Description
PX.IC.5060100	LED Engine XB-SD 350mA 220V
PX.IC.5060200	LED Engine XB-SD 350mA 216 110V
PX.ID.5120100	LED Engine XB-SD Rackmount 350mA 432 220V
PX.ID.5120200	LED Engine XB-SD Rackmount 350mA 432 110V
PS.AC.0000x00	AC Power Cord (2m/6.6ft); 1=EU, 2=US, 3=UK, 4=AU, 5=JP

WWW.TRAXONTECHNOLOGIES.COM

© 2010 TRAXON TECHNOLOGIES ALL RIGHTS RESERVED. TRAXON™, TX CONNECT™, LUXILED™ ARE TRADEMARKS OF TRAXON TECHNOLOGIES. U.S. PATENTS, E.U. PATENTS, JAPAN PATENTS, OTHER PATENTS PENDING. SPECIFICATIONS ARE SUBJECT TO CHANGE WITHOUT NOTICE.