

Media Tube® RGB

Media Tube® RGB is an IP66/IP67-rated slim LED tube for any wall or façade media lighting. Available in 295mm, 495mm, 995mm, and 1495mm lengths, the simple but robust construction, allows up to 10m of tubes to be daisy chained on a single power run.



Product Specifications

	Direct				Diffused			
Light Source (LEDs)	12	20	40	60	12	20	40	60
Color Range	16.7 million additive RGB colors							
Color Resolution	3 x 12-bit (Gamma correction)							
Beam Angle	120°				150° approximate			
Luminous Flux ¹	189.37 lm							
Efficacy ¹	8.61 lm/W							
Cover Lens	None - Clear silicon potting				PC Diffuser, CAST-UV protected			
LED Pitch	25mm							
Housing	Aluminium				Aluminium / PC Cover			
Dimensions (W x H)	28.5 x 28mm 1.12" x 1.10"				28.5 x 48.5mm 1.12" x 1.91"			
(L)	295mm 11.6"	495mm 19.5"	995mm 39.2"	1495mm 58.9"	295mm 11.6"	495mm 19.5"	995mm 39.2"	1495mm 58.9"
Weight	0.59kg 1.3lbs	0.8kg 1.8lbs	1.6kg 3.5lbs	2.3kg 5.1lbs	0.48kg 1.1lbs	0.65kg 1.4lbs	1.3kg 2.9lbs	1.95kg 4.3lbs
Regulatory Listing & Safety Approval	CE, cETLus							
Operating Temperature	-30°C to +50°C / -22°F to +122°F							
Storage Temperature	-40°C to +70°C / -40°F to +158°F							
Environment	IP67 Suitable for coastal environments				IP66			
Humidity	0-90%, non-condensing							

Electrical Specifications

Operating Voltage	48V DC							
Power Consumption (max.)	7.5W	11W	22W	33W	7.5W	11W	22W	33W
	~22W per meter							

System Specifications

Power/Data Interface	TX CONNECT							
Control	DMX512 / e:pix / DVI capable							
Power Supply	LED Engine 1000W 48V Indoor / LED Engine 240W 48V Outdoor							
Addressing Options	Auto-Addressing							

1. Based on photometric data and maximum power consumption of Media Tube® RGB 995mm Direct view version

LED CHARACTERISTICS Because LEDs are semiconductor devices, their performances are subject to inherent variability commonly found in semiconductor industry. To improve consistency in performance across the same product, LED manufacturers "sort" LEDs into bins according to different preset parameters, such as forward driving voltage, illumination, etc. Whereas binning is a sorting function, it is not a correction process. Inherent variability in the manufacturing process results always in different binning distributions according to different production lots. Traxon uses automatically binned LEDs on its products, thereby minimizing output variations within the model range.

As with all electronic devices, LED output degrades over time – a term called lumen depreciation. This also explains why it is nearly impossible to expect photometric performances of two LED products with different service life spans to be the same. The rate of LED degrade is a complicate function of many factors such as operating efficiency, duration of continuous operation, and more significantly, environmental conditions (ambient temperature for example). If allowed working under optimal operating temperature range and with good ventilation, LED devices enjoy long service lives over conventional light sources. When using/installing LED devices, care should be taken to ensure that the devices will operate within the operating conditions specified in respective product literature.

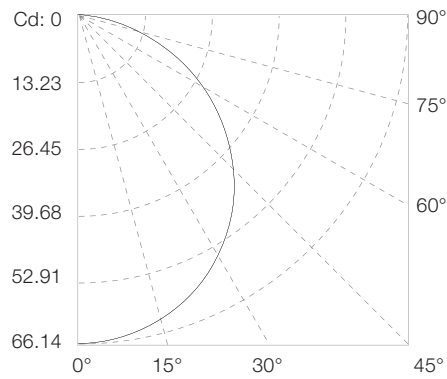
www.traxontechnologies.com

©2015 TRAXON TECHNOLOGIES - AN OSRAM BUSINESS. ALL RIGHTS RESERVED. TRAXON™, TX CONNECT®, ARE TRADEMARKS OF TRAXON TECHNOLOGIES. U.S. PATENTS, E.U. PATENTS, JAPAN PATENTS, OTHER PATENTS PENDING. SPECIFICATIONS ARE SUBJECT TO CHANGE WITHOUT NOTICE.

Source Specifications

Source	High intensity power light emitting diodes 40 LEDs
Optics	120°
Cover Lens	None – Clear silicone potting (Direct View)
CCT	-

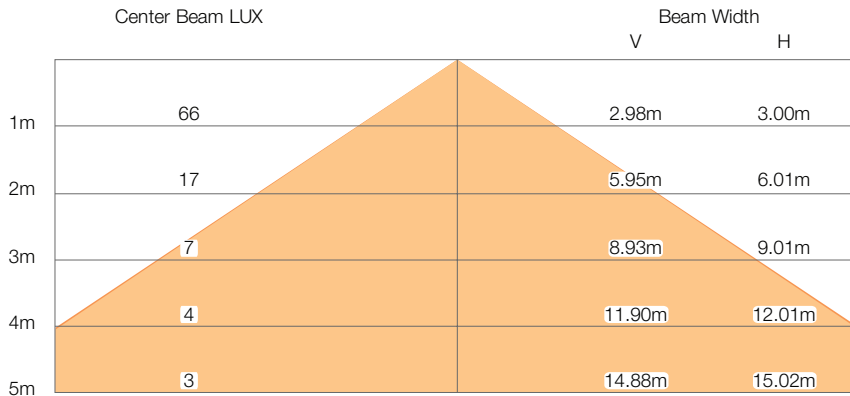
Candela Distribution



Light Output

Color	Luminous Flux (lm)
White	189.37
Red	59.62
Green	114.88
Blue	18.74

Illuminance at a Distance



For fc divide by 10.7

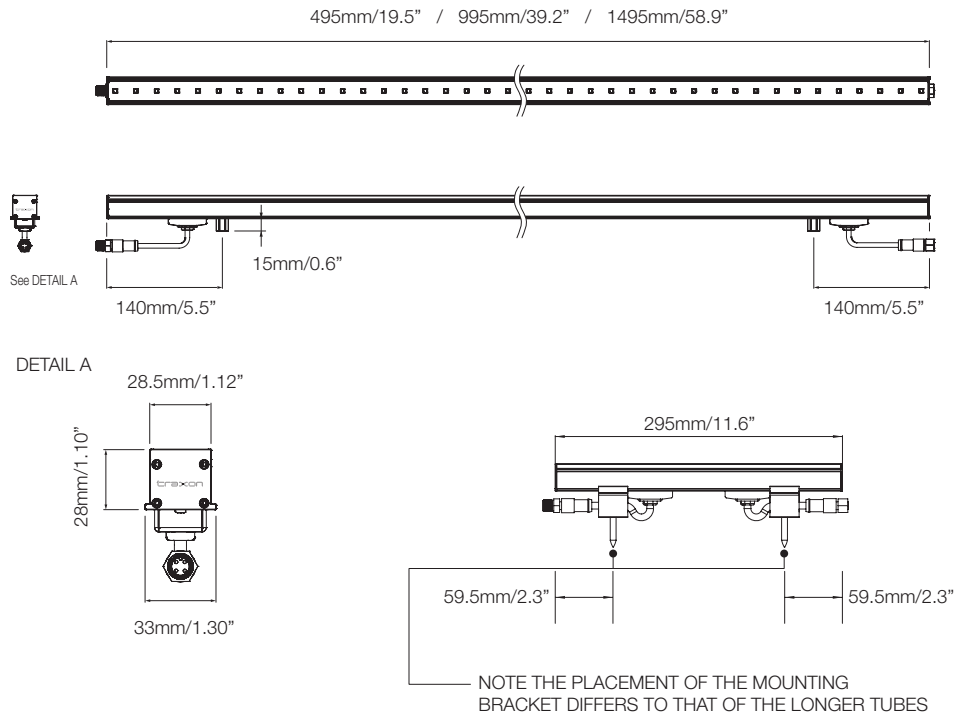
- Vert. Spread: 112.2°
 - Horiz. Spread: 112.6°
- For feet multiply by 3.28

IES and LDT files are available for download from the Traxon website.

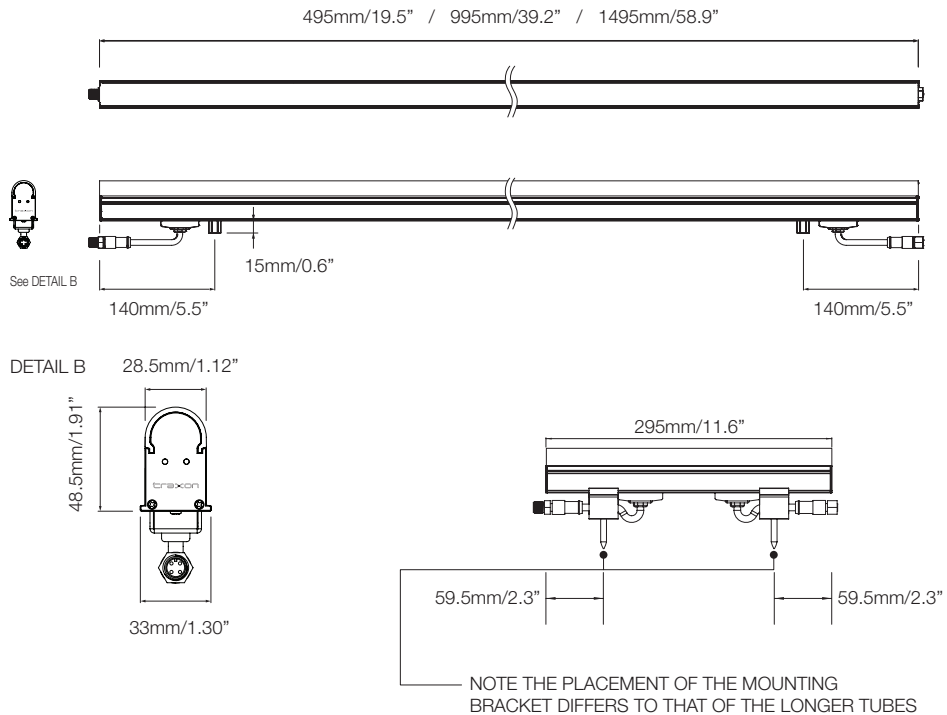
Media Tube® RGB

Dimensions

Media Tube® RGB – Direct View

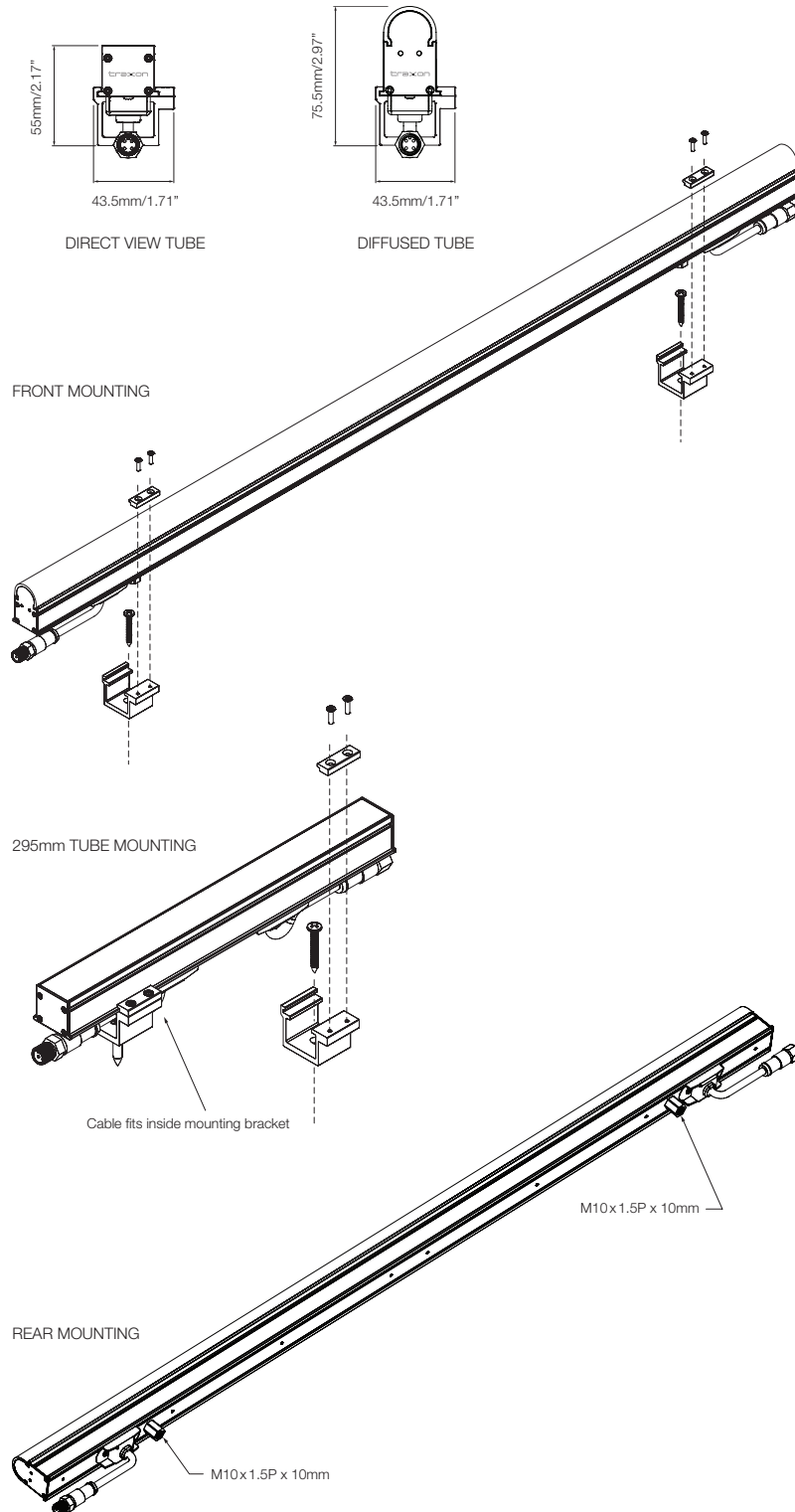


Media Tube® RGB – Diffused View



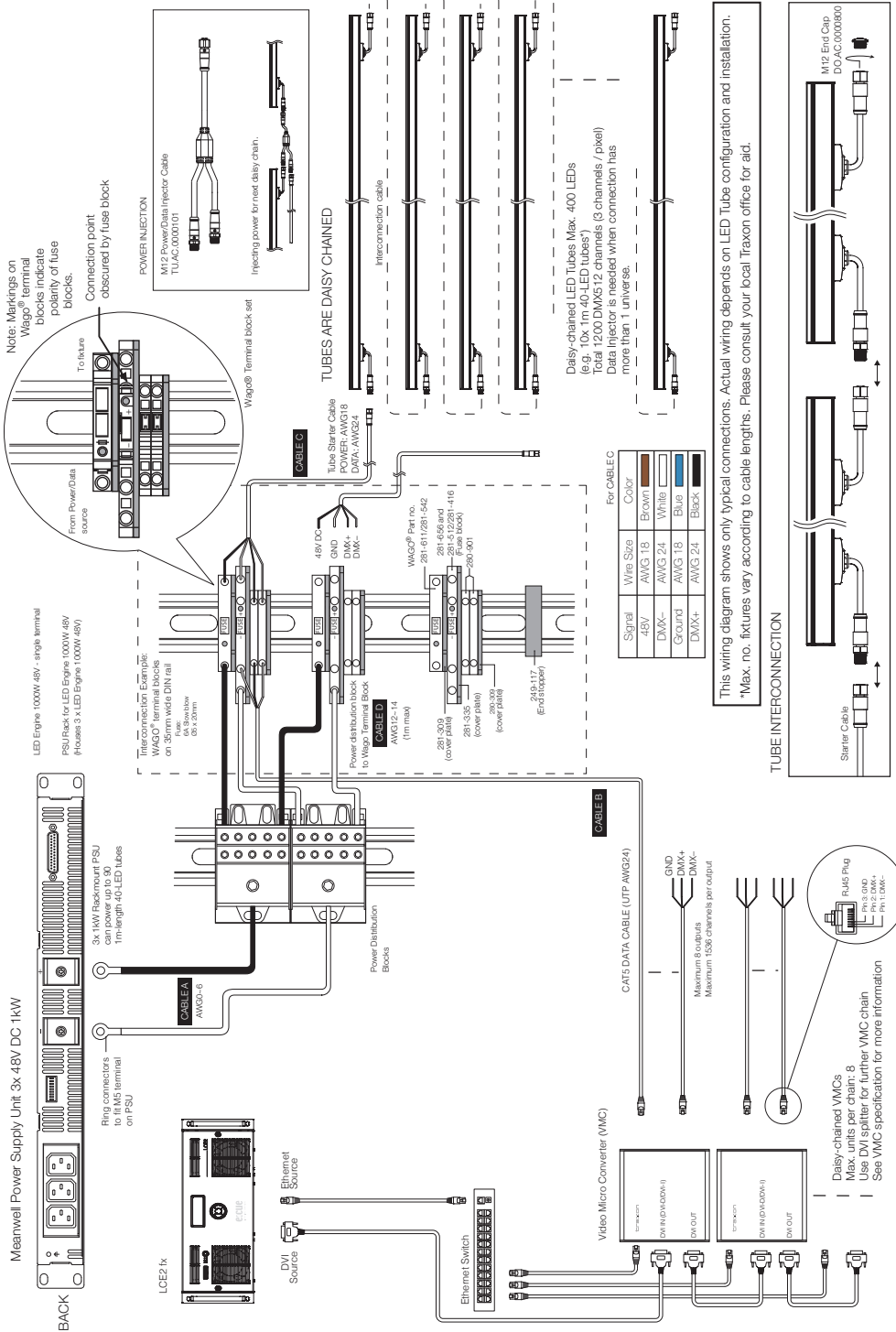
www.traxontechnologies.com

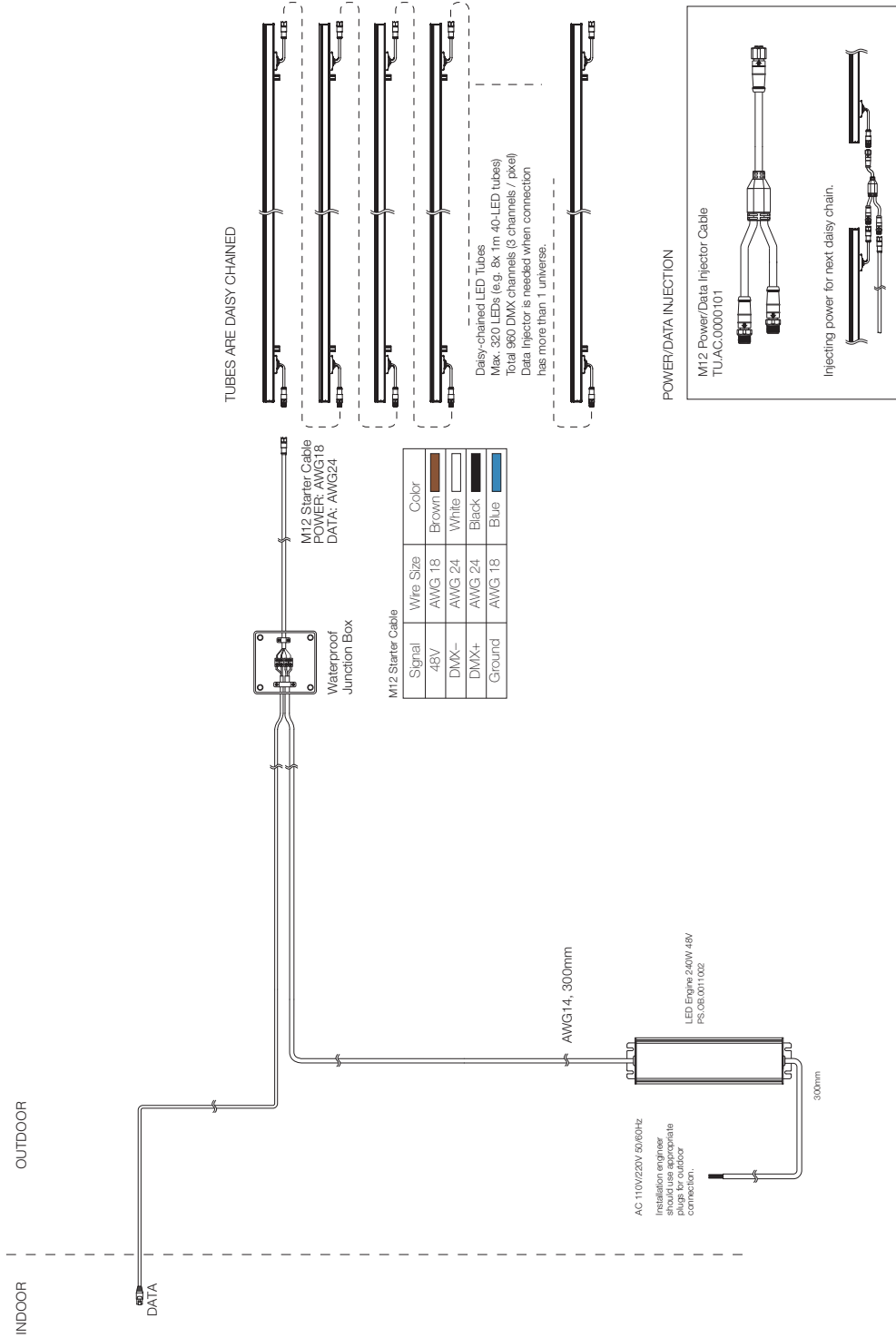
©2015 TRAXON TECHNOLOGIES - AN OSRAM BUSINESS. ALL RIGHTS RESERVED. TRAXON™, TX CONNECT®, ARE TRADEMARKS OF TRAXON TECHNOLOGIES. U.S. PATENTS, E.U. PATENTS, JAPAN PATENTS, OTHER PATENTS PENDING. SPECIFICATIONS ARE SUBJECT TO CHANGE WITHOUT NOTICE.



www.traxontechnologies.com

©2015 TRAXON TECHNOLOGIES - AN OSRAM BUSINESS. ALL RIGHTS RESERVED. TRAXON™, TX CONNECT®, ARE TRADEMARKS OF TRAXON TECHNOLOGIES. U.S. PATENTS, E.U. PATENTS, JAPAN PATENTS, OTHER PATENTS PENDING. SPECIFICATIONS ARE SUBJECT TO CHANGE WITHOUT NOTICE.





Fixtures

Model No.	Description	Item Code
TU.CR.0314002	Media Tube® Direct View 295 RGB 12PXL	AA558820155
TU.CR.0014001	Media Tube® Direct View 495 RGB 20PXL	AA558740055
TU.CR.0114001	Media Tube® Direct View 995 RGB 40PXL	AA568920155
TU.CR.0214001	Media Tube® Direct View 1495 RGB 60PXL	AA558790155
TU.DR.0314002	Media Tube® Diffused 295 RGB 12PXL	AA567930055
TU.DR.0014002	Media Tube® Diffused 495 RGB 20PXL	AA558880055
TU.DR.0114002	Media Tube® Diffused 995 RGB 40PXL	AA567220155
TU.DR.0214002	Media Tube® Diffused 1495 RGB 60PXL	AA558930055

Standard Accessories (Included in delivery)

Model No.	Description	Item Code
N/A	2 x Tube Mounting Brackets & Mounting Plates and 4 x CSK Head Screw M3x12	N/A

Optional Accessories

Model No.	Description	Item Code
DO.AC.0000800	Connector End Cap M12	AA438670055

TX Control

Model No.	Description	Item Code
160185	Video Micro Converter (DMX/e:pix)	AA438940235
160194	Video Micro Converter Garage (Optional)	AA623920031
EN.BX.0000001	Butler XT2	AA557270131
160174	Butler XT2 Garage (Optional)	AA556660031
EN.BU.0000001	Butler S2	AA624080072
AC.BG.0000001	Butler S2 Garage (Optional)	AA611800031
EN.LC.9400000	LCE2 fx	AA629460035

TX Connect

Model No.	Description	Item Code
TU.AC.0001201	M12 Starter Cable (Open Wire), 5m (18AWG)	AA556480055
TU.AC.0000501	M12 Starter Cable (Open Wire), 20m (18AWG)	AA438710055
TU.AC.0001111	M12 Starter Cable, 35m (18AWG)	AA556470055
DO.AC.1000001	M12 Interconnection Cable, 140mm	AA588450055
TU.AC.0200201	M12 Interconnection Cable, 1.5m (18AWG)	AA438680055
TU.AC.0200101	M12 Interconnection Cable, 4m (18AWG)	AA556510155
TU.AC.0000101	M12 Power/Data Injector Cable	AA556410055
TU.AC.0000201	WAGO Terminal Block Set	AA556430135
TU.AC.9900000	6A SB Fuse (100pcs)	AA612880055



Media Tube® RGB

Ordering

TX Control

Model No.	Description	Item Code
PS.IE.0011100	LED Engine 1000W 48V Indoor 48V	AA5571401HA
PS.AC.0500100	LED Engine Garage (for 3 pcs 1000W Indoor PSU)	AA6294800HA
PS.OB.0011002	LED Engine 240W Outdoor 48V	AA5572601HA



©2015 TRAXON TECHNOLOGIES - AN OSRAM BUSINESS. ALL RIGHTS RESERVED. TRAXON™, TX CONNECT®, ARE TRADEMARKS OF TRAXON TECHNOLOGIES. U.S. PATENTS, E.U. PATENTS, JAPAN PATENTS, OTHER PATENTS PENDING. SPECIFICATIONS ARE SUBJECT TO CHANGE WITHOUT NOTICE.