



1PXL Cove Light XR CW/WW/DW

1PXL Cove Light XR CW/WW/DW crisp shades of cold/warm/dynamic white with a wide beam angle. Its slim profile and plug and play TX Connect system ensure high design flexibility. With auto-addressing ON/OFF function, this fixture maximizes the number of products that can be controlled within a standard DMX universe.



Product Specifications

Model	1PXL Cove Light XR CW	1PXL Cove Light XR WW	1PXL Cove Light XR DW
Light Source	12 High intensity SMT LEDs	12 High intensity SMT LEDs	24 High intensity SMT LEDs (12 Cold White + 12 Warm White)
Color Temperature	6500K	2700K	2700K - 6500K
Beam Angle	120°		
Luminous Flux	144 lm	85 lm	225 lm
Efficacy	36.4 lm/W	24.7 lm/W	31.5 lm/W
Lumen Maintenance	L70 @25°C - 50,000hrs		
Cover Lens	Transparent PC		
LED Pitch	24.5mm / 0.96"		
Housing	Beige ABS backcase		
Adjustment Options	180° swing angle		
Dimensions (L x W x H)	295 x 44.7 x 35mm 11.61" x 1.76" x 1.38"		
Weight	0.2kg / 0.44lbs		
Regulatory Listing & Safety Approval	CE, FCC		
Operating Temperature	0°C to +40°C / 32°F to +104°F		
Storage Temperature	-20°C to +70°C / -4°F to +158°F		
Environment	Indoor		
Humidity	0-90%, non-condensing		

Electrical Specifications

Input Voltage	24V DC		
Power Consumption	5W max.	5W max.	10W max.

System Specifications

Power / Data Interface	TX Connect Smart
Control	DMX512, 3 channels per pixel
Power Supply	LED Engine Smart 100W Indoor
Addressing Options	Auto Addressing ON/OFF

LED CHARACTERISTICS Because LEDs are semiconductor devices, their performances are subject to inherent variability commonly found in semiconductor industry. To improve consistency in performance across the same product, LED manufacturers "sort" LEDs into bins according to different preset parameters, such as forward driving voltage, illumination, etc. Whereas binning is a sorting function, it is not a correction process. Inherent variability in the manufacturing process results always in different binning distributions according to different production lots. Traxon uses automatically binned LEDs on its products, thereby minimizing output variations within the model range.

As with all electronic devices, LED output degrades over time – a term called lumen depreciation. This also explains why it is nearly impossible to expect photometric performances of two LED products with different service life spans to be the same. The rate of LED degrade is a complicate function of many factors such as operating efficiency, duration of continuous operation, and more significantly, environmental conditions (ambient temperature for example). If allowed working under optimal operating temperature range and with good ventilation, LED devices enjoy long service lives over conventional light sources. When using/installing LED devices, care should be taken to ensure that the devices will operate within the operating conditions specified in respective product literature.

Lumen measurement complies with LM-79-08 standard.
 Lumen maintenance is calculated based on LM-80 compliant measurement.

www.traxontechnologies.com

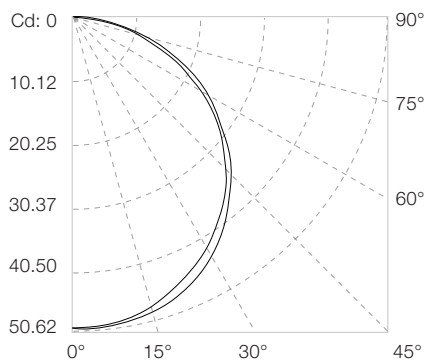
©2015 TRAXON TECHNOLOGIES - AN OSRAM BUSINESS. ALL RIGHTS RESERVED. TRAXON™, TX CONNECT®, ARE TRADEMARKS OF TRAXON TECHNOLOGIES. U.S. PATENTS, E.U. PATENTS, JAPAN PATENTS, OTHER PATENTS PENDING. SPECIFICATIONS ARE SUBJECT TO CHANGE WITHOUT NOTICE.

Source Specifications

Source	12 LEDs
Optics	120°
Cover Lens	Transparent PC
Distribution	Asymmetric direct illumination
CCT	6500K - Cold white
CRI	82

Candela Distribution

Light Output



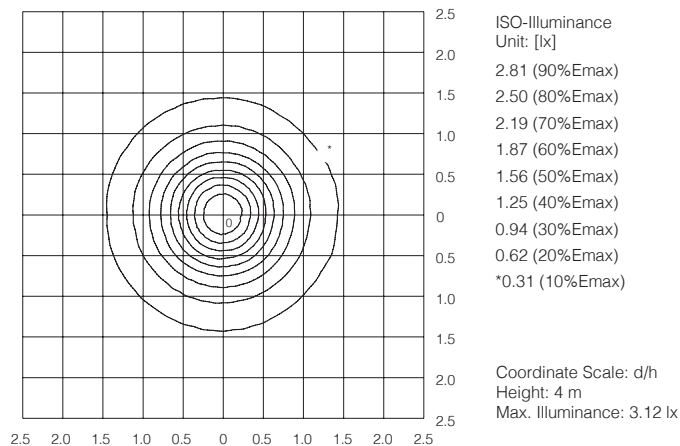
Color	Luminous Flux (lumens)	Power (Watts)	Efficacy (lm/W)
6500 K	144.15	3.96	36.40

- Beam angle (50% Imax): 110.7°

Illuminance

Distance	10cm/3.9"	25cm/9.8"	50cm/19.7"	72cm/29.5"	100cm/39.4"
Lux	4994	799	200	89	50
50% Imax (diameter)	29cm/11.4"	74cm/29.0"	147cm/58.0"	221cm/87.1"	295cm/116.1"

Illuminance at a Distance



Photometric measurements are carried out by an independent laboratory. IES and LDT files are available for download from the Traxon website.

www.traxontechnologies.com

©2015 TRAXON TECHNOLOGIES - AN OSRAM BUSINESS. ALL RIGHTS RESERVED. TRAXON™, TX CONNECT®, ARE TRADEMARKS OF TRAXON TECHNOLOGIES. U.S. PATENTS, E.U. PATENTS, JAPAN PATENTS, OTHER PATENTS PENDING. SPECIFICATIONS ARE SUBJECT TO CHANGE WITHOUT NOTICE.

1PXL Cove Light XR CW/WW/DW

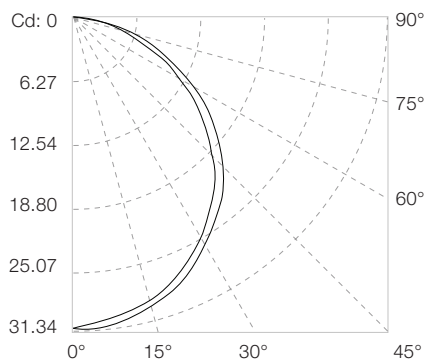
Photometrics

Source Specifications

Source	12 LEDs
Optics	120°
Cover Lens	Transparent PC
Distribution	Asymmetric direct illumination
CCT	2700K - Warm white
CRI	72.7

Candela Distribution

Light Output



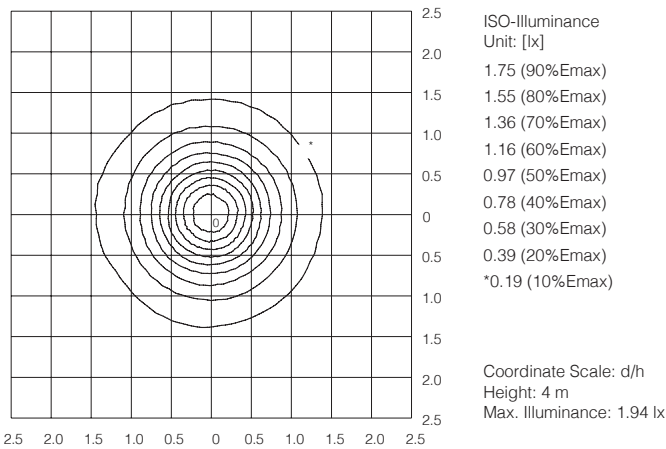
Color	Luminous Flux (lumens)	Power (Watts)	Efficacy (lm/W)
2700 K	85.25	3.45	24.71

- Beam angle (50% I_{max}): 110.7°

Illuminance

Distance	10cm/3.9"	25cm/9.8"	50cm/19.7"	72cm/29.5"	100cm/39.4"
Lux	3077	492	123	55	31
50% I _{max} (diameter)	29cm/11.4"	72cm/28.5"	145cm/60"	217cm/85.4"	289cm/113.9"

Illuminance at a Distance



Photometric measurements are carried out by an independent laboratory. IES and LDT files are available for download from the Traxon website.

www.traxontechnologies.com

©2015 TRAXON TECHNOLOGIES - AN OSRAM BUSINESS. ALL RIGHTS RESERVED. TRAXON™, TX CONNECT®, ARE TRADEMARKS OF TRAXON TECHNOLOGIES. U.S. PATENTS, E.U. PATENTS, JAPAN PATENTS, OTHER PATENTS PENDING. SPECIFICATIONS ARE SUBJECT TO CHANGE WITHOUT NOTICE.

1PXL Cove Light XR CW/WW/DW

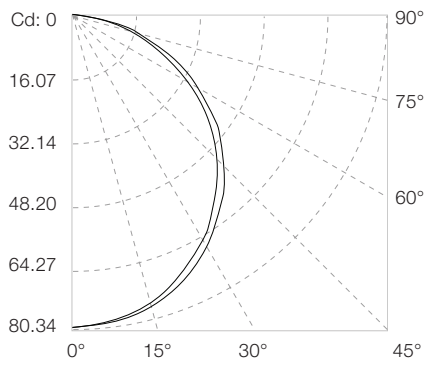
Photometrics

Source Specifications

Source	24 LEDs (12WW, 12CW)
Optics	120°
Cover Lens	Transparent PC
Distribution	Asymmetric direct illumination
CCT	2700K - 6500K - Dynamic white
CRI	79.2

Candela Distribution

Light Output



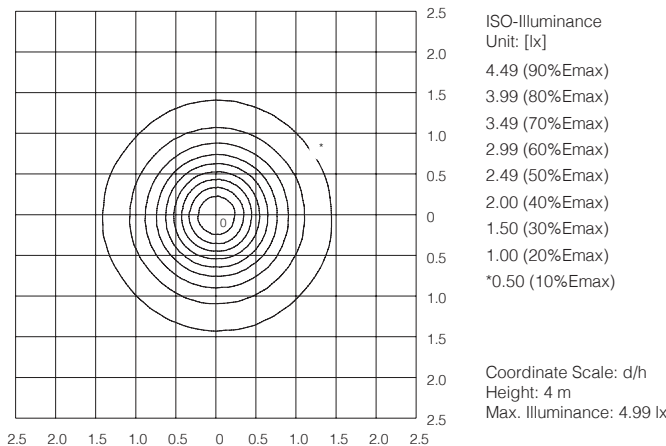
Color	Luminous Flux (lumens)	Power (Watts)	Efficacy (lm/W)
2700 K - 6500 K	225.01	7.15	31.47

Illuminance

Distance	10cm/3.9"	25cm/9.8"	50cm/19.7"	72cm/29.5"	100cm/39.4"
Lux	7960	1274	318	142	80
50% I _{max} (diameter)	29cm/11.4"	73cm/28.6"	146cm/57.3"	218cm/85.9"	291cm/114.6"

• Measure on: DW

Illuminance at a Distance



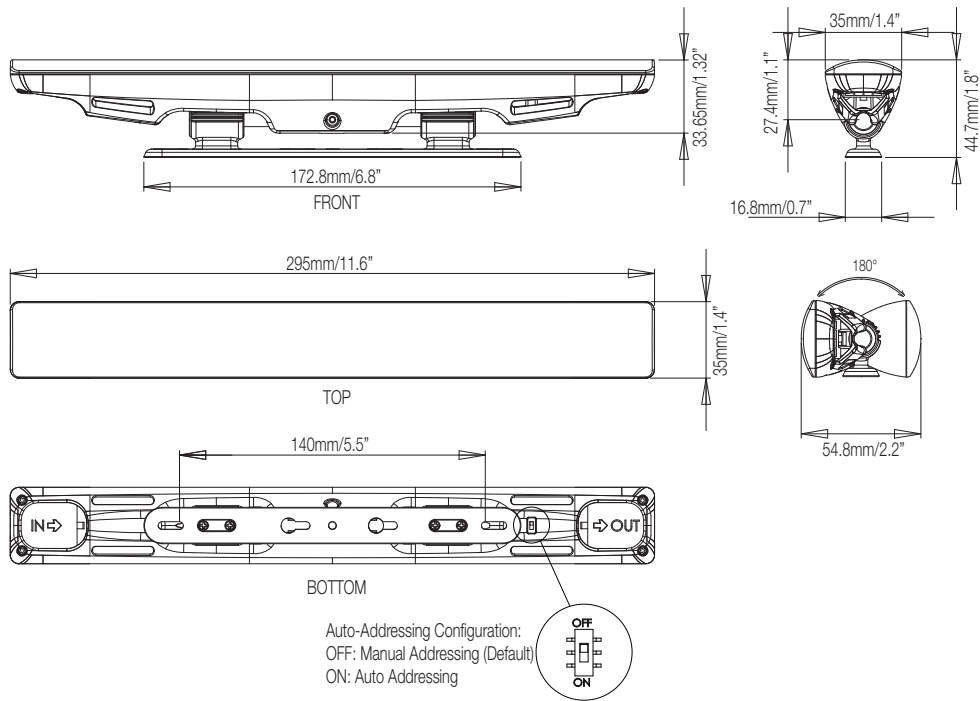
Photometric measurements are carried out by an independent laboratory. IES and LDT files are available for download from the Traxon website.

www.traxontechnologies.com

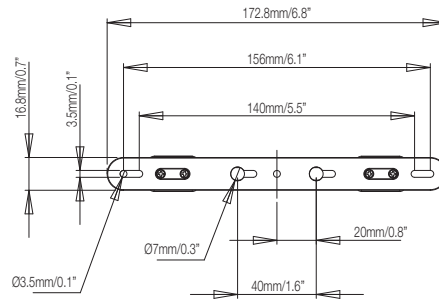
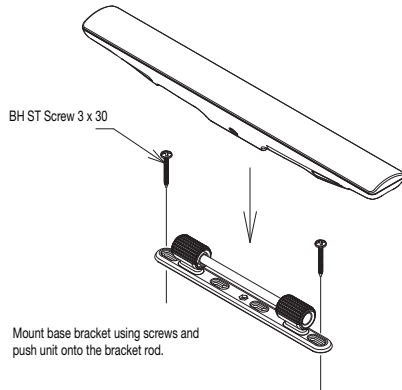
©2015 TRAXON TECHNOLOGIES - AN OSRAM BUSINESS. ALL RIGHTS RESERVED. TRAXON™, TX CONNECT®, ARE TRADEMARKS OF TRAXON TECHNOLOGIES. U.S. PATENTS, E.U. PATENTS, JAPAN PATENTS, OTHER PATENTS PENDING. SPECIFICATIONS ARE SUBJECT TO CHANGE WITHOUT NOTICE.

1PXL Cove Light XR CW/WW/DW

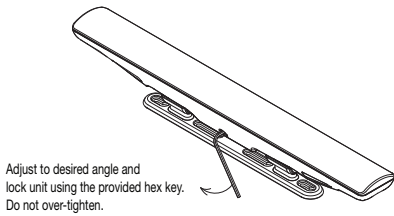
Dimensions



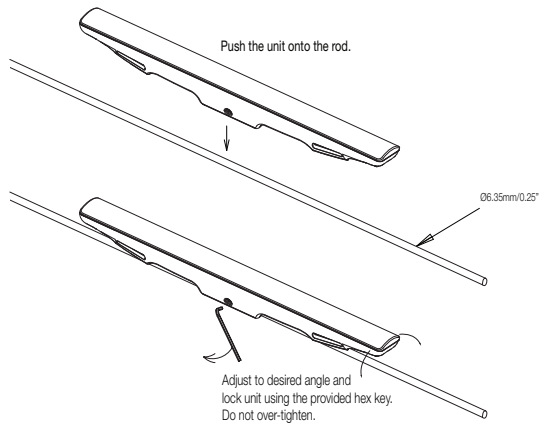
Mounting with Base Bracket



Base bracket dimensions
(Bottom view)



Alternative Mounting Method



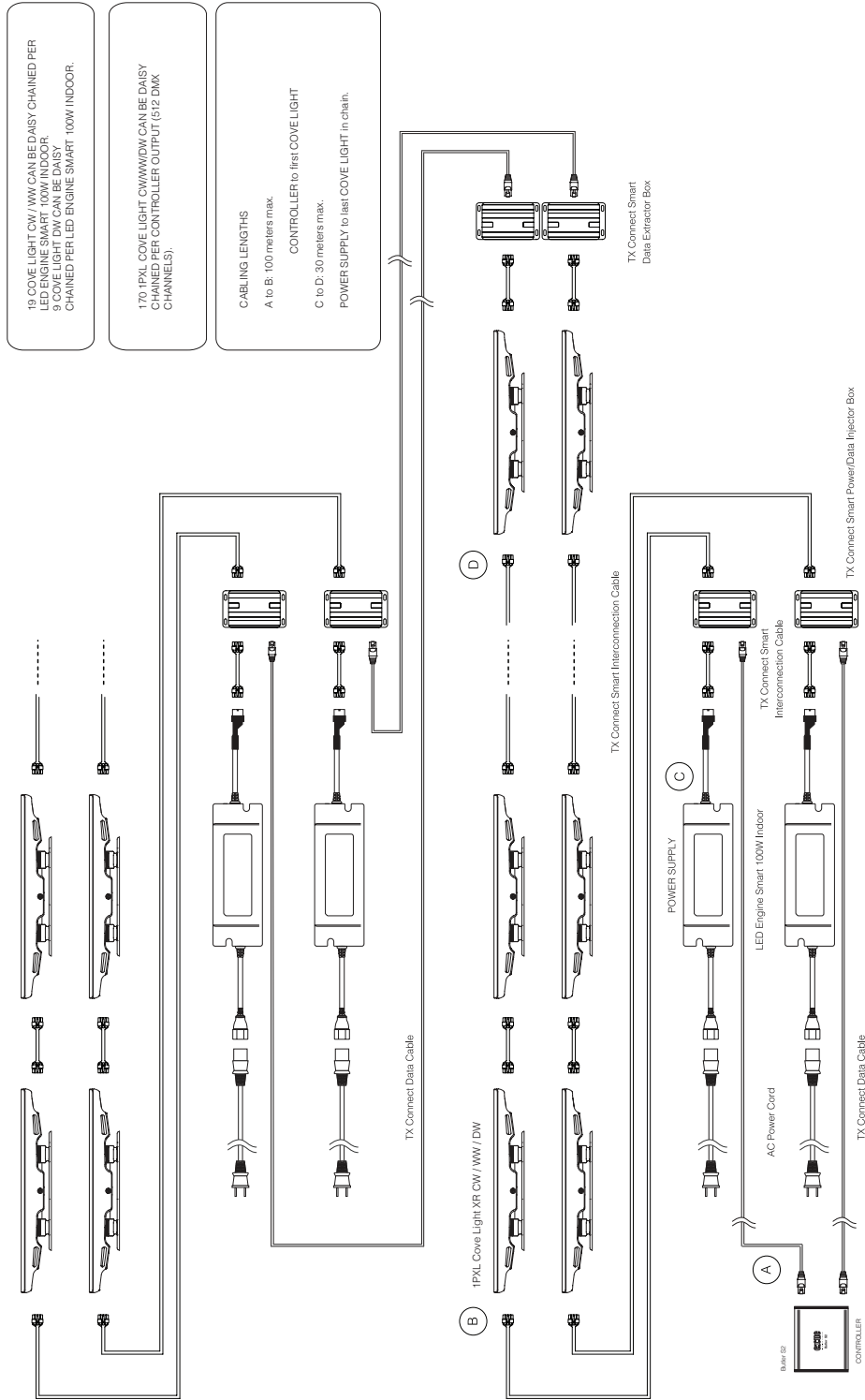
Mounting Accessories



2 X BH ST 3x30 Screw

www.traxontechnologies.com

©2015 TRAXON TECHNOLOGIES - AN OSRAM BUSINESS. ALL RIGHTS RESERVED. TRAXON™, TX CONNECT®, ARE TRADEMARKS OF TRAXON TECHNOLOGIES. U.S. PATENTS, E.U. PATENTS, JAPAN PATENTS, OTHER PATENTS PENDING. SPECIFICATIONS ARE SUBJECT TO CHANGE WITHOUT NOTICE.





1PXL Cove Light XR CW/WW/DW

Ordering

Fixtures

Model No.	Description	Item Code
MB.CL.5080103	1PXL Cove Light XR DW	AA553740055

For 1PXL Cove Light XR CW / WW, please contact regional Traxon sales office for details.

Standard Accessories (included in delivery)

Model No.	Description	Item Code
TI.IC.0004000	TX CONNECT Smart Indoor Interconnection Cable, 4cm/1.57"	AA438900055
N/A	1x Cove Light Mounting Kit (2x Screws, 1x 3mm Hex Key)	N/A

TX Control

Model No.	Description	Item Code
EN.BU.0000001	Butler S2	AA624080072

TX Connect

Model No.	Description	Item Code
TI.ZI.0000100	TX CONNECT Smart Power/Data Injector Box	A704836003J
TI.DO.0000100	TX CONNECT Smart Data Extractor Box	A704842003J
TI.EC.0050000	TX CONNECT Smart Indoor Extension Cable, 0.5m/1.64ft	AA556350055
TI.EC.0100000	TX CONNECT Smart Indoor Extension Cable, 1m/3.28ft	A6342330055
TI.EC.0300000	TX CONNECT Smart Indoor Extension Cable, 3m/9.84ft	A6342410055
TI.EC.0500000	TX CONNECT Smart Indoor Extension Cable, 5m/16.4ft	AA580410055
TI.EC.1000000	TX CONNECT Smart Indoor Extension Cable, 10m/32.8ft	A6342680055
DI.IC.0100000	TX CONNECT Data Cable, 1m/3.28ft	AA556130055

TX Power

Model No.	Description	Item Code
PS.IA.0010000	LED Engine Smart 100W Indoor	AA624090055
PS.AC.0000100	AC Power Cord, 2m/6.6ft (EU)	AA553860055
PS.AC.0000300	AC Power Cord, 2m/6.6ft (UK)	AA556300155
PS.AC.0000400	AC Power Cord, 2m/6.6ft (AU)	AA556310055



©2015 TRAXON TECHNOLOGIES - AN OSRAM BUSINESS. ALL RIGHTS RESERVED. TRAXON™, TX CONNECT®, ARE TRADEMARKS OF TRAXON TECHNOLOGIES. U.S. PATENTS, E.U. PATENTS, JAPAN PATENTS, OTHER PATENTS PENDING. SPECIFICATIONS ARE SUBJECT TO CHANGE WITHOUT NOTICE.